

Illinois Tollway Standard Drawing Revisions

Section K Temporary Erosion & Sediment Control

Standard	Modification Summary	Effective: 03-01-2019
All	Removed "Geotextile" from "Geotextile Filter Fabric" for consistency with pay item and standard specification descriptions	
Sheet 1	Added "Perimeter Silt Fence" to Note 6 Revised Note 8 for consistency with the requirements for temporary stabilization specified in the current ILR10 permit Replaced "will" with "shall" for consistent use of terminology	
Sheet 4	Stabilized Construction Entrance Detail Added an optional Temporary Culvert to the entrance detail Replaced "Geoweb" with "Geocell"	
Sheet 5	Silt Fence Detail Removed "Filter" from "Silt Filter Fence Fabric" for consistency with pay item and standard specification Changed 200' to 200' Maximum for J-Hook placement	
Sheet 6	Super Silt Fence Detail Removed "Filter" from "Silt Filter Fence Fabric" for consistency with pay item and standard specification Changed "Filter Fabric" to "Silt Fence Fabric" in Section B-B	
	Creek Buffer Strip and Silt Fence Detail Changed Note 1 to reflect the minimum buffer requirement of 50' for consistency with the current ILR10 permit Removed "Below" from the plan detail Removed "Filter" from "Silt Filter Fence Fabric" for consistency with pay item and standard specification Revised ditch check height to 9" minimum and 3" toe in Corrected Note 2 to reflect 12" diameter temporary ditch check	
Sheet 8	Rectangular Inlet Protection Detail Replaced the option to use Super Silt Fence with the option to substitute the wood frame using 2 1/2" Galvanized or Aluminum Posts installed as specified for Super Silt Fence Added "Woven" to "Monofilament Fabric"	
Sheet 9	Fabric Inlet Protection Details Changed the titles for consistency with the pay items Modified and provides notes specific to each type of fabric inlet protection Replaced the detail for the basket type inlet protection for consistency with the standard specifications Revised the detail for the cover type inlet protection to more clearly depict proper installation of the device	

 New Sheet  Retired Standard

GENERAL NOTES - EROSION AND SEDIMENT CONTROLS

1. THE WORK DESCRIBED ON THESE DRAWINGS IS AN INTEGRAL PART OF THE STORM WATER POLLUTION PREVENTION PLAN USED TO OBTAIN AN NPDES PERMIT FROM IEPA FOR THE CONSTRUCTION OF THIS PROJECT.
2. THE PURPOSE OF THE EROSION AND SEDIMENT CONTROL MEASURES INCLUDED FOR THIS PROJECT IS TO LIMIT THE SEDIMENT POLLUTION IMPACT OF ANY STORM WATER DISCHARGES THAT ORIGINATE ON THIS SITE OR OFF-SITE FLOWS THAT FLOW OVER THE DISTURBED AREAS.
3. IT IS THE RESPONSIBILITY OF THE CONTRACTOR TO ENSURE THAT SEDIMENT TRANSPORT OFF THE SITE IS REDUCED BY A COMBINATION OF MINIMIZATION OF EROSION AT THE SOURCE AND INSTALLATION OF SPECIFIC MEASURES TO CONTROL OR REDUCE THE TRANSPORT OF SEDIMENT. A COPY OF THE EROSION AND SEDIMENT CONTROL PLAN, NOI, SWPPP, AND INSPECTION LOG BEING IMPLEMENTED BY THE CONTRACTOR SHALL BE ON THE CONSTRUCTION SITE AT ALL TIMES.
4. TO THE MAXIMUM EXTENT POSSIBLE EROSION SHALL BE MINIMIZED AT THE SOURCE. ALL FLOWS ORIGINATING OFF THE CONSTRUCTION SITE SHALL BE DIVERTED AROUND DISTURBED AREAS OR SHALL BE CONVEYED THROUGH THE SITE IN A MANNER THAT UNTREATED ON-SITE RUNOFF, SHALL BE MINIMIZED AND DOES NOT MIX WITH THE OFF-SITE RUNOFF.
5. ALL RUNOFF ORIGINATING ON DISTURBED AREAS ASSOCIATED WITH THIS PROJECT SHALL PASS THROUGH ONE OR MORE MEASURES THAT SHALL MINIMIZE THE OFF-SITE SEDIMENT IMPACTS OF THE CONSTRUCTION ACTIVITY.
6. ALL PERMANENT SEDIMENT BASINS, PERMANENT STORM WATER CONTROL MEASURES, PERIMETER SILT FENCE, AND RUNOFF CONTROL MEASURES REQUIRED TO KEEP OFF-SITE RUNOFF FROM FLOWING OVER THE CONSTRUCTION AREA SHALL BE INSTALLED BEFORE CLEARING AND STRIPPING OF THE SITE PROCEEDS. PRIOR TO PROCEEDING WITH EARTHWORK ON A PROJECT THE CONTRACTOR SHALL SUBMIT TO THE ENGINEER A PROPOSED EARTHWORK AND STABILIZATION SCHEDULE FOR REVIEW AND APPROVAL.
7. A MAXIMUM OF 10 ACRES IS ALLOWED TO BE IN SOME STAGE OF GRADING AT A SINGLE TIME. ADDITIONAL AREAS (UP TO 10 ACRES) MAY BE CLEARED BUT SHALL NOT BE STRIPPED OF VEGETATION UNTIL THE GRADED AREAS HAVE BEEN PROTECTED FROM EROSION THROUGH INSTALLATION OF EITHER TEMPORARY OR PERMANENT MEASURES. WHENEVER POSSIBLE, THE GRADING SHALL BE COMPLETED TO THE DESIGN GRADE AND THE PERMANENT VEGETATION PLAN IMPLEMENTED PRIOR TO STARTING GRADING ACTIVITIES ON THE NEXT SITE.
 - A. WHEN BALANCING EARTHWORK (BORROW FROM A CUT USED AS FILL AT A LOCATION DISTANT FROM THE CUT) THE CHIEF ENGINEER MAY ALLOW MORE THAN 10 ACRES OF CONSTRUCTION WORK AREAS AND STORAGE AREAS.
 - B. WHERE NEW INTERCHANGES ARE BEING CONSTRUCTED THE ALLOWABLE AREA BEING GRADED MAY BE LARGER THAN 10 ACRES WHEN THE CONTRACT DRAWINGS AND SWPPP DEFINE SUCH INCREASES.
 - C. VARIATIONS TO THE ABOVE MAY BE CONSIDERED BY THE CHIEF ENGINEER UNDER ALL THE FOLLOWING CONDITIONS:
 - IF THE CONTRACTOR FALLS BEHIND SCHEDULE THROUGH NO FAULT OF HIS OWN.
 - THE CONTRACTOR SHALL PRESENT A SCHEDULE DEMONSTRATING THE NEED FOR SUCH VARIATION IN ORDER TO COMPLETE THE WORK ON TIME.
 - THE CONTRACTOR SHALL COMPLY WITH ALL OTHER CONTRACT AND PERMIT REQUIREMENTS.
8. STABILIZATION OF DISTURBED AREAS SHALL, AT A MINIMUM, BE INITIATED IMMEDIATELY WHENEVER ANY CLEARING, GRADING, EXCAVATING, OR OTHER EARTH DISTURBING ACTIVITIES HAVE PERMANENTLY CEASED ON ANY PORTION OF THE

- SITE, OR TEMPORARILY CEASED ON ANY PORTION OF THE SITE AND SHALL NOT RESUME FOR A PERIOD EXCEEDING 14 CALENDAR DAYS. STABILIZATION OF DISTURBED AREAS SHALL BE INITIATED WITHIN 1 WORKING DAY OF PERMANENT OR TEMPORARY CESSATION OF EARTH DISTURBING ACTIVITIES AND SHALL BE COMPLETED AS SOON AS POSSIBLE BUT NOT LATER THAN 14 DAYS FROM THE INITIATION OF STABILIZATION WORK IN AN AREA. WHERE THE INITIATION OF STABILIZATION MEASURES IS PRECLUDED BY SNOW COVER, STABILIZATION MEASURES SHALL BE INITIATED AS SOON AS PRACTICABLE.
9. STABILIZATION OF CUT OR FILL SLOPES WITH TEMPORARY OR PERMANENT EROSION CONTROL MEASURES IS REQUIRED WHENEVER THE CUT OR FILL ACTIVITY REACHES 15 FEET VERTICALLY OR THE FINISHED SLOPE EQUALS 50 FEET, WHICHEVER IS MORE RESTRICTIVE. ONCE THE STABILIZATION MEASURES ARE INSTALLED, THE PLACEMENT OF FILL OR EXCAVATION ACTIVITIES ARE ALLOWED TO PROCEED.
10. THE CONTRACTOR SHALL DESIGNATE ONE OF HIS EMPLOYEES AS EROSION AND SEDIMENT CONTROL MANAGER. THIS PERSON SHALL BE RESPONSIBLE FOR IMPLEMENTATION OF THE EROSION AND SEDIMENT CONTROL PLAN ON ALL DISTURBED AREAS. THIS PERSON SHALL POSSESS THE NECESSARY TRAINING AND CERTIFICATION ON EROSION AND SEDIMENT CONTROL MEASURES FOR ACCEPTANCE BY THE ILLINOIS TOLLWAY. THIS EMPLOYEE IS TO HAVE THE AUTHORITY TO CARRY OUT THE IMPLEMENTATION OF ANY INSTRUCTIONS CONCERNING THE EROSION AND SEDIMENT CONTROL PLAN GIVEN BY THE ENGINEER. ALL MEASURES SHALL BE INSPECTED BY THIS INDIVIDUAL AND THE ENGINEER ON A REGULAR BASIS (AT LEAST ONCE EVERY 7 DAYS) AND AFTER ANY RAINFALL EVENT GREATER THAN 0.5 INCHES, OR EQUIVALENT SNOWFALL (I.E. + 5").
11. SEDIMENT TRAPS, SEDIMENT BASINS, DITCHES, SILT FENCES, FENCES, STONE OUTLET STRUCTURES, EARTH BERMS, ETC. SHALL BE MAINTAINED DURING THE CONSTRUCTION SEASON AS WELL AS THE WINTER MONTHS AND OTHER TIMES WHEN THE PROJECT IS CLOSED DOWN. TRAPS SHALL BE CLEANED WHEN THEY ARE 50% FILLED. SILT FENCE AND STONE OUTLET STRUCTURES SHALL HAVE SEDIMENT REMOVED WHEN IT REACHES 50% THE HEIGHT OF THE CONTROL DEVICE. THESE SPOILS SHALL BE REMOVED TO AN APPROVED SITE.
12. SALVAGED TOPSOIL SHALL BE PLACED ON WELL DRAINED LAND AWAY FROM INTERMITTENT AND LIVE STREAMS OR WETLANDS WITH THE APPROPRIATE RUNOFF CONTROL AND SEDIMENT CONTROL MEASURES INSTALLED AROUND THE STORAGE SITE. SALVAGED TOPSOIL SHALL BE STABILIZED WITH STRAW MULCH IMMEDIATELY AFTER SHAPING OF THE PILE IN ACCORDANCE WITH THE ILLINOIS TOLLWAY SUPPLEMENTAL SPECIFICATIONS. SILT FENCE SHALL BE PROVIDED AT THE PERIMETER OF THE STOCKPILE.
13. MATERIALS EXCAVATED FOR THE CONSTRUCTION OR CLEAN OUT OF SEDIMENT TRAPS SHALL NOT BE STOCKPILED IN THE VICINITY OF THE TRAP. IT SHALL BE PLACED IN AN EMBANKMENT OR WASTED AS DIRECTED BY THE ENGINEER.
14. EXCAVATION TO BE USED FOR EMBANKMENTS SHALL NOT BE STOCKPILED UNLESS PERIMETER CONTROLS ARE UTILIZED. WHEN THIS MATERIAL IS STOCKPILED FOR THE CONVENIENCE OF THE CONTRACTOR THE COST OF PROVIDING THE CONTROLS ARE THE RESPONSIBILITY OF THE CONTRACTOR. IF THE MATERIAL IS STOCKPILED AT THE DIRECTION OF THE ENGINEER THE ILLINOIS TOLLWAY SHALL ASSUME THE COSTS OF THE CONTROLS.
15. SEDIMENT LADEN DEWATERING DISCHARGE SHALL BE DIRECTED TO AN APPROVED SEDIMENT TRAPPING MEASURE PRIOR TO RELEASE FROM THE SITE.


16. ALL EROSION AND SEDIMENT CONTROL MEASURES ARE TO BE CONSIDERED TEMPORARY. THESE MEASURES SHALL BE REMOVED BY THE CONTRACTOR AS DESIGNATED ON THE PLANS OR AS DIRECTED BY THE ENGINEER. DISTURBED AREAS SHALL BE RESTORED UPON REMOVAL.
17. WHEN THE CONTRACTOR REQUESTS A CHANGE TO POSTPONE COMPLETION OF THE EXCAVATION OF A SPECIFIC AREA AS A CONTINUOUS OPERATION AND PLACING THE TOPSOIL AS DEFINED IN THE STANDARD SPECIFICATIONS, THE ENGINEER MAY ALLOW THE CONTRACTOR TO STABILIZE THE AREA USING TEMPORARY STABILIZATION WITH STRAW MULCH PROVIDED THE FOLLOWING CONDITIONS ARE MET:
 - A. ALL AREAS BEING STABILIZED ARE 1:3 (V:H) SLOPES OR FLATTER.
 - B. THE COST OF PREPARING THE SEED BED AND STABILIZING THE AREA WITH TEMPORARY STABILIZATION WITH STRAW MULCH IS THE RESPONSIBILITY OF THE CONTRACTOR.
 - C. ALL REQUIRED SEDIMENT CONTROL MEASURES FOR THE SECTION OF ROAD IN QUESTION HAVE BEEN INSTALLED AND ARE BEING MAINTAINED.
18. THE CONTRACTOR SHALL PREPARE A SKETCH SHOWING DIMENSIONS FROM TWO ADJACENT OBJECTS TO ALL DRAINAGE STRUCTURES THAT HAVE BEEN PROTECTED. THIS IS TO LOCATE THE STRUCTURE IN CASE OF HEAVY RAINFALL AND THE STRUCTURE IS BLOCKED OR FLOODED. THE ENGINEER SHALL BE PROVIDED WITH A COPY OF THE SKETCH.
19. THE CONTRACTOR SHALL CONDUCT HIS OPERATIONS IN ACCORDANCE WITH THE STANDARD DRAWINGS AND SPECIAL PROVISION (S.P.) 111, STORM WATER POLLUTION PREVENTION PLAN INCLUDING CONTROLS AND SPILL PREVENTION-MATERIAL MANAGEMENT PRACTICES. THE CONTRACTOR AND ALL SUBCONTRACTORS SHALL SIGN THE CONTRACTOR'S CERTIFICATION STATEMENT. LIST THE MATERIALS OR SUBSTANCES EXPECTED TO BE PRESENT ON-SITE IN THE INVENTORY FOR POLLUTION PREVENTION PLAN AND SHALL NAME TWO ADDITIONAL INDIVIDUALS TO ASSIST IN SPILL PREVENTION AND CLEAN UP AT THE PRECONSTRUCTION CONFERENCE. SEE S.P. 111.
20. AT THE TIME OF THE PRECONSTRUCTION CONFERENCE, THE CONTRACTOR SHALL SUBMIT FOR APPROVAL THE PROPOSED CONCRETE TRUCK WASHOUT LOCATIONS AS REQUIRED IN SPECIAL PROVISION 111. RUNOFF FROM WASH AREAS SHALL BE CONTAINED IN DESIGNATED AREAS SO THAT RUNOFF DOES NOT REACH THE STORM SEWER OR DITCH SYSTEMS. WASHOUT WATER SHALL BE TAKEN TO AN APPROVED DISCHARGE LOCATION.
21. IF AN ALTERNATIVE SIZE DITCH CHECK IS PROPOSED BY THE CONTRACTOR FOR USE ON THE PROJECT, A CONTRACT DITCH CHECK SPACING SHALL BE RECALCULATED BY THE CONTRACTOR IN ACCORDANCE WITH THE ILLINOIS TOLLWAY EROSION AND SEDIMENT CONTROL, LANDSCAPE DESIGN CRITERIA MANUAL. ANY RESULTING QUANTITY CHANGES SHALL BE APPROVED BY THE ENGINEER PRIOR TO START OF WORK.
22. ALL RUNOFF, EROSION AND SEDIMENT CONTROL MEASURES SHALL BE LOCATED OUTSIDE THE CLEAR ZONE. THE CONTRACTOR SHALL REVIEW THE LOCATIONS OF ALL MEASURES AND PERFORM A BARRIER WARRANT ANALYSIS IF NECESSARY TO ENSURE ROADSIDE OBSTACLES ARE NOT CREATED.
23. ALL SLOPES ARE EXPRESSED AS UNITS OF VERTICAL DISPLACEMENT TO UNITS OF HORIZONTAL DISPLACEMENT (V:H).




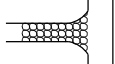

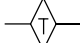
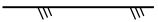
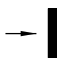

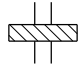

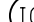

TEMPORARY EROSION
AND SEDIMENT CONTROLS

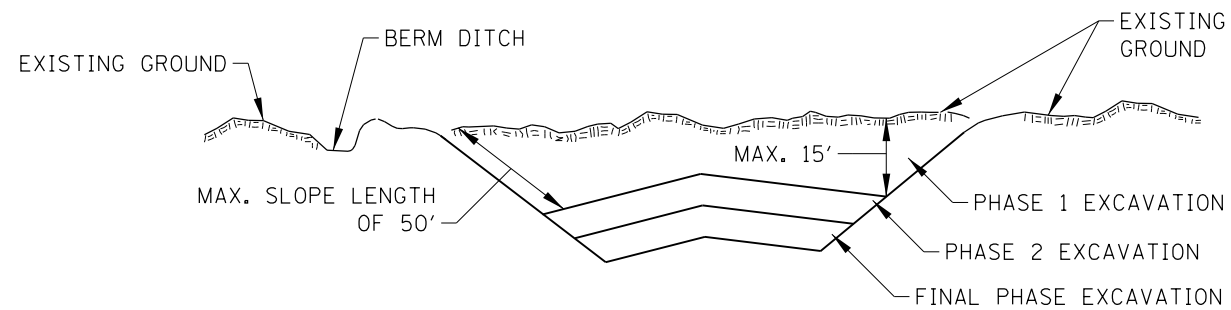
STANDARD K1-08

DATE	REVISIONS
3-31-2014	REVISED GENERAL NOTES.
3-11-2015	REVISED NOTES.
3-31-2016	REMOVED TEMPORARY DITCH CHECKS
3-01-2018	REVISED BUFFER WIDTHS AND DETAIL.
3-01-2019	REVISED FABRIC INLET PROTECTION AND STABILIZED CONSTRUCTION ENTRANCE.


 APPROVED..... DATE 2-7-2012...
 CHIEF ENGINEERING OFFICER

STANDARD SYMBOLS

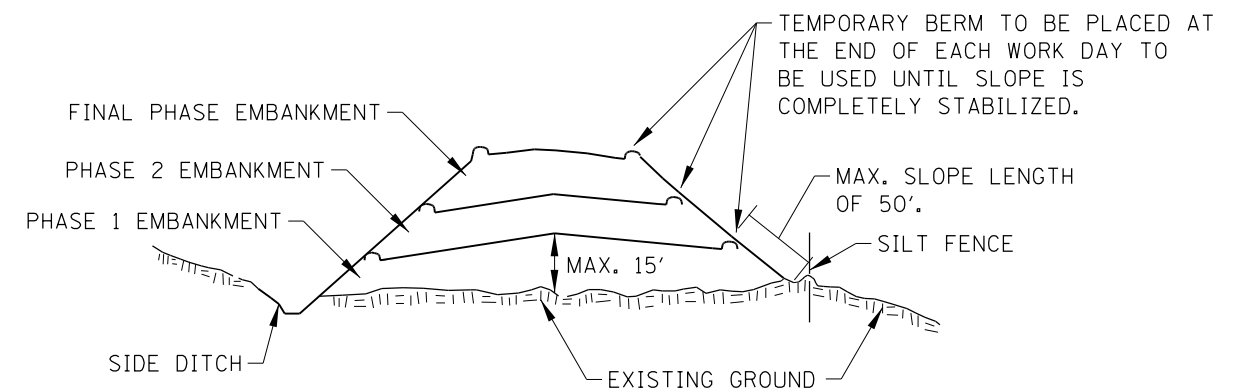
	CLEARING & GRADING LIMITS (LIMITS OF CONSTRUCTION)		SILT FENCE
	CULVERT INLET PROTECTION-FENCE		STABILIZED CONSTRUCTION ENTRANCE
	CULVERT INLET PROTECTION-STONE		STONE OUTLET STRUCTURE SEDIMENT TRAP
	CIP		STREAM DIVERSION
	DEWATERING BASINS		SUPER SILT FENCE
	DIVERSION DIKE		TEMPORARY DITCH CHECK
	DRAINAGE DIVIDE		TEMPORARY PIPE SLOPE DRAIN
	EXISTING DRAINAGE PATH		TEMPORARY RIPRAP
	FILTER FABRIC INLET PROTECTION, COVER TYPE		TEMPORARY ROCK CHECK DAM
	FILTER FABRIC INLET PROTECTION, BASKET TYPE		TEMPORARY STREAM CROSSING
	FLOTATION BOOM		TEMPORARY SWALE
	INITIAL CONSTRUCTION ITEM		TREE PROTECTION
	PROPOSED DRAINAGE PATH		
	RECTANGULAR INLET PROTECTION		
	SEDIMENT BASIN AGGREGATE BERM		
	SEDIMENT BASIN		



NOTES:

1. ALL CUT SLOPES SHALL BE EXCAVATED AND STABILIZED (PLACE TOPSOIL, PREPARE SEEDBED, APPLY SEED, PROTECT SLOPE WITH MULCH OR EROSION BLANKET) AS THE WORK PROGRESSES.
2. CONSTRUCTION SEQUENCE:
 - A) EXCAVATE AND STABILIZE BERM, SIDE AND OUTLET DITCHES, PROVIDE SEDIMENT TRAPS FOR DITCHES.
 - B) PERFORM PHASE 1 EXCAVATION AND STABILIZE SLOPES WITH PERMANENT SEEDING.
 - C) PERFORM PHASE 2 EXCAVATION AND STABILIZE SLOPES WITH PERMANENT SEEDING. OVER SEED PHASE 1 SLOPES, IF REQUIRED.
 - D) PERFORM FINAL PHASE EXCAVATION, DRESS, SEED AND MULCH SLOPES WITH PERMANENT SEEDING. STABILIZE SURFACE DRAIN DITCHES. OVER SEED PHASE 1 & 2 SLOPES, IF REQUIRED, AS DETERMINED BY THE ENGINEER.
3. IF PERMANENT SEEDING CANNOT BE PLACED DUE TO CONTRACT REQUIREMENTS REGARDING PLANTING SEASONS, THE CUT SLOPE IS TO HAVE TOPSOIL PLACED AND SEEDING PREPARED PRIOR TO USING TEMPORARY STABILIZATION WITH STRAW MULCH OR TEMPORARY SEEDING WITH EROSION BLANKET.
4. THE CONTRACTOR HAS THE OPTION OF DELAYING TOPSOIL SEEDING BEYOND THE 15 FOOT LIMITATION. IF THIS OPTION IS CHOSEN, THE CUT SLOPE MUST BE "TEMPORARY STABILIZED" AT NO COST TO THE ILLINOIS TOLLWAY.
5. ONCE THE EXCAVATION WITHIN A SPECIFIC AREA HAS BEGUN, THE OPERATION SHALL BE CONTINUOUS FROM STRIPPING THROUGH THE COMPLETION OF THE GRADING AND PLACEMENT OF SLOPE STABILIZATION MEASURES. ANY INTERRUPTIONS IN THE OPERATION OF 14 DAYS OR MORE MUST BE APPROVED BY THE ENGINEER. ANY VIOLATION OF THIS REQUIREMENT WILL RESULT IN THE CONTRACTOR ASSUMING THE RESPONSIBILITY OF PLACING TEMPORARY STABILIZATION AT HIS OWN COST AND EXPENSE.

EXCAVATION PHASING PLAN - CUT SECTION



NOTES:

1. THE EMBANKMENT WILL BE MADE IN STAGES NOT TO EXCEED 15' IN HEIGHT OR 50' IN SLOPE LENGTH. THE EMBANKMENT SLOPES WILL BE STABILIZED USING TEMPORARY MEASURES BEFORE BEGINNING NEXT STAGE.
2. AT THE END OF EACH WORK DAY TEMPORARY BERMS (EARTH) AND TEMPORARY PIPE SLOPE DRAINS WILL BE CONSTRUCTED ALONG THE TOP EDGE(S) OF THE EMBANKMENT TO INTERCEPT SURFACE RUNOFF.
3. CONSTRUCTION SEQUENCE:
 - A) EXCAVATE AND STABILIZE SIDE DITCH AND/OR INSTALL PROPOSED PERIMETER CONTROLS AT THE TOE OF SLOPE.
 - B) PLACE PHASE 1 EMBANKMENT AND STABILIZE WITH TEMPORARY SEEDING AND MULCH.
 - C) PLACE PHASE 2 EMBANKMENT AND STABILIZE WITH TEMPORARY SEEDING AND MULCH.
 - D) PLACE FINAL PHASE EMBANKMENT AND STABILIZE WITH PERMANENT VEGETATIVE PLAN ON THE ENTIRE SLOPE.
4. ONCE THE PLACEMENT OF FILL WITHIN A SPECIFIC AREA HAS BEGUN, THE OPERATION SHALL BE CONTINUOUS FROM STRIPPING THROUGH THE COMPLETION OF THE GRADING AND PLACEMENT OF PERMANENT VEGETATIVE PLAN. ANY INTERRUPTIONS IN THE OPERATION OF 14 DAYS OR MORE MUST BE APPROVED BY THE ENGINEER. ANY VIOLATION OF THIS REQUIREMENT WILL RESULT IN THE CONTRACTOR ASSUMING THE RESPONSIBILITY OF PLACING TEMPORARY STABILIZATION AT HIS OWN COST AND EXPENSE.

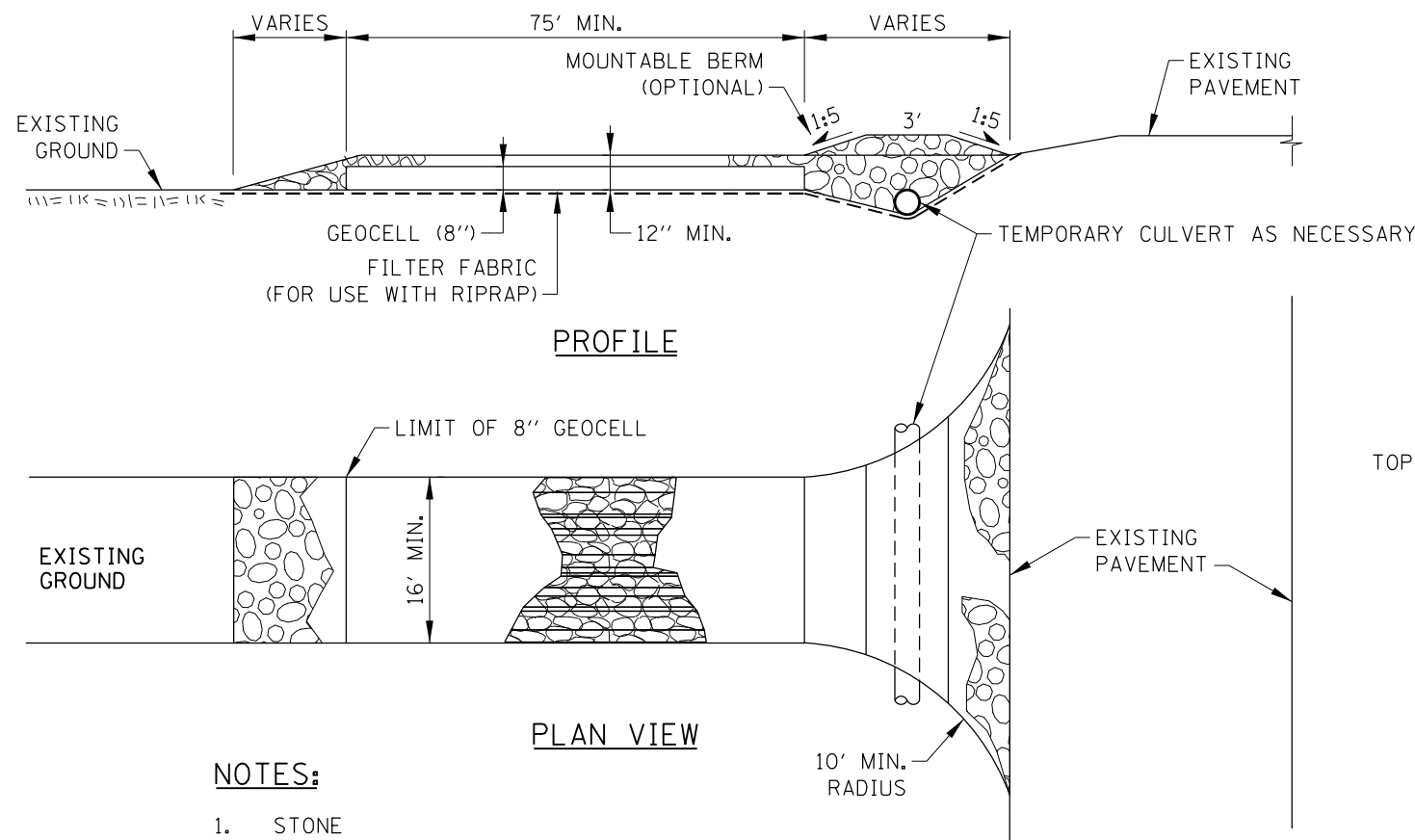
EMBANKMENT PHASING PLAN - FILL SECTION



TEMPORARY EROSION AND SEDIMENT CONTROLS

STANDARD K1-08

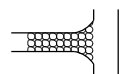
APPROVED: *Paul Kovacs* DATE 2-7-2012
CHIEF ENGINEERING OFFICER



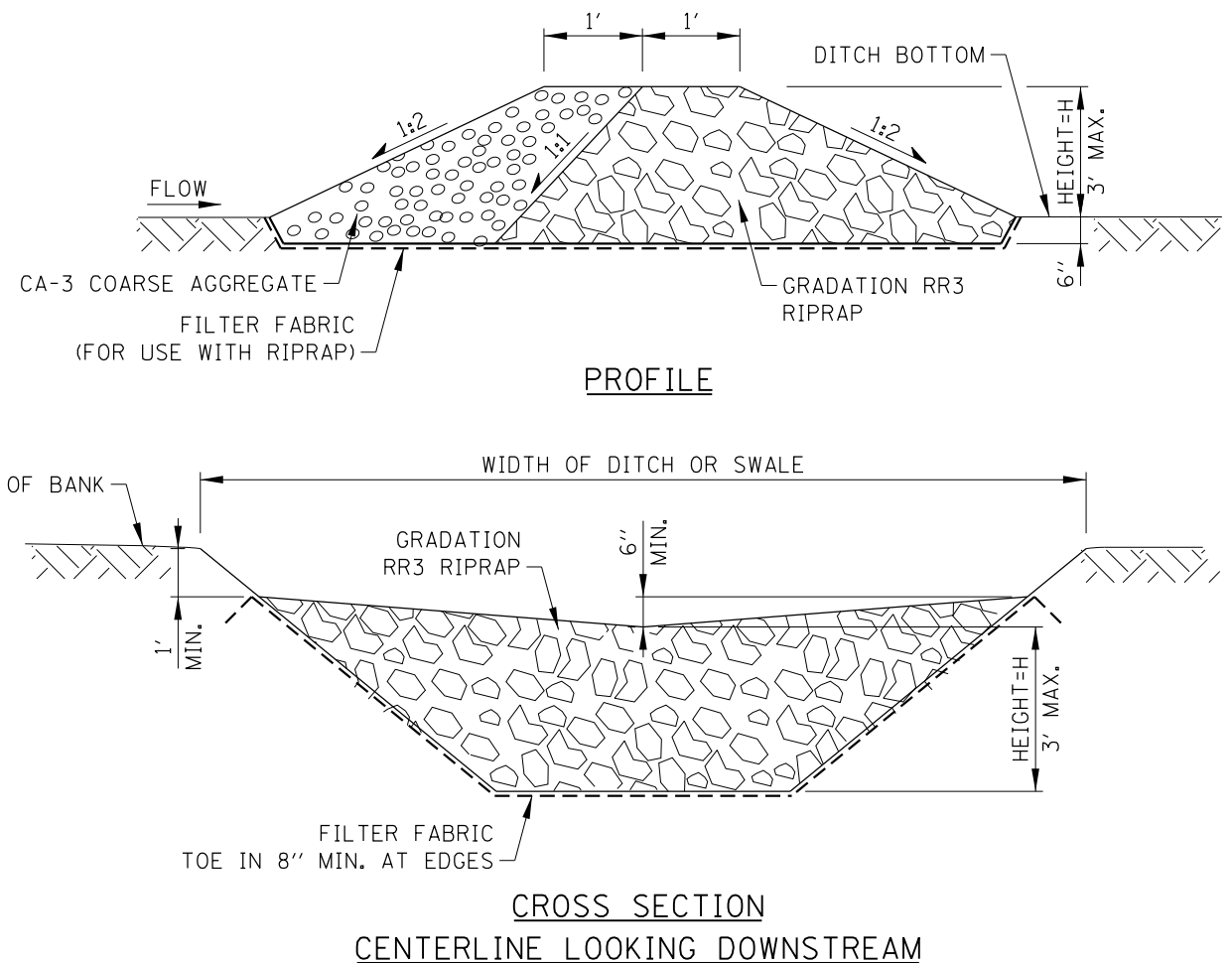
NOTES:

1. STONE
 - A. STONE SIZE - CA-3
 - B. LENGTH - AS REQUIRED, BUT NOT LESS THAN 75'.
 - C. THICKNESS - NOT LESS THAN 4" ABOVE TOP OF GEOCELL.
2. WIDTH - 16' MINIMUM FOR ONE WAY TRAFFIC; 24' MINIMUM FOR TWO-WAY TRAFFIC; BUT NOT LESS THAN THE FULL WIDTH AT POINTS WHERE INGRESS OR EGRESS OCCURS.
3. GEOCELL NOT LESS THAN 8" IN DEPTH WILL BE PLACED OVER THE ENTIRE AREA PRIOR TO PLACING OF STONE.
4. SURFACE WATER - ALL SURFACE WATER FLOWING OR DIVERTED TOWARD CONSTRUCTION ENTRANCES SHALL BE PIPED ACROSS THE ENTRANCE. IF PIPING IS IMPRACTICAL, A MOUNTABLE BERM WITH 1:5 SLOPES WILL BE PERMITTED.
5. MAINTENANCE - THE ENTRANCE SHALL BE MAINTAINED IN A CONDITION WHICH SHALL PREVENT TRACKING OR FLOWING OF SEDIMENT ONTO PUBLIC RIGHTS-OF-WAY. THIS MAY REQUIRE PERIODIC TOP DRESSING WITH ADDITIONAL STONE AS CONDITIONS DEMAND AND REPAIR AND/OR CLEAN OUT OF ANY MEASURES USED TO TRAP SEDIMENT. ALL SEDIMENT SPILLED, DROPPED, WASHED OR TRACKED ONTO PUBLIC RIGHTS-OF-WAY SHALL BE REMOVED IMMEDIATELY.
6. PERIODIC INSPECTION AND NEEDED MAINTENANCE SHALL BE PROVIDED AFTER HEAVY USE AND EACH RAINFALL EVENT.
7. TO BE USED TO REDUCE OR ELIMINATE TRACKING OF SEDIMENT ONTO PUBLIC STREETS. PLACE AT ALL POINTS OF CONSTRUCTION INGRESS AND EGRESS. DISTURBED AREAS TO BE RESTORED UPON REMOVAL.

STABILIZED CONSTRUCTION ENTRANCE
STANDARD SYMBOL



APPROVED: *Paul Kovacs* DATE 2-7-2012
CHIEF ENGINEERING OFFICER

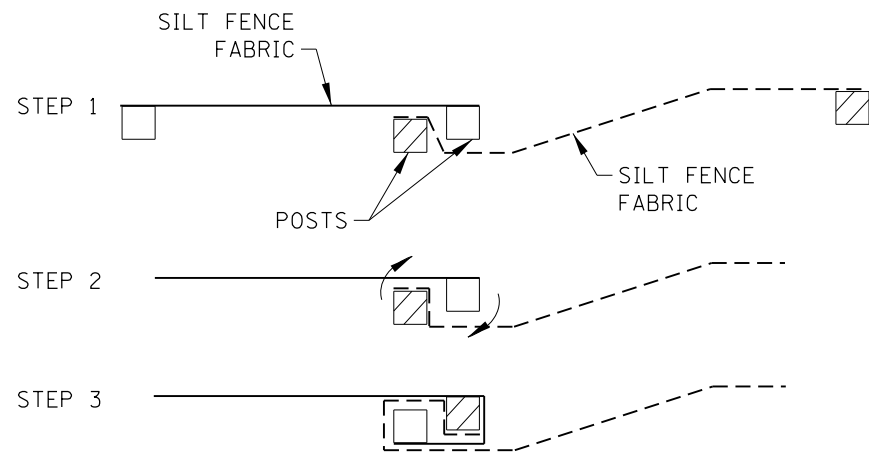


NOTES:

1. FOR LOCATIONS AND HEIGHTS OF ROCK CHECK DAMS REFER TO CONSTRUCTION DRAWINGS.
2. TEMPORARY ROCK CHECK DAMS SHALL BE REPLACED WHEN THEY CEASE TO FUNCTION AS INTENDED DUE TO WASHOUT OR CONSTRUCTION TRAFFIC DAMAGE.
3. SEDIMENT SHALL BE REMOVED WHEN IT REACHES 50% OF DAM HEIGHT. THIS PRACTICE IS NOT A SUBSTITUTE FOR MAJOR PERIMETER TRAPPING SUCH AS A TEMPORARY SEDIMENT TRAP OR BASIN.
4. SPACING BETWEEN DAMS SHALL BE SUCH THAT THE TOE OF THE UPSTREAM DAM IS AT THE SAME ELEVATION AS TOP OF RIPRAP AT THE CENTER OF THE DOWNSTREAM DAM.
5. WHEN A TEMPORARY ROCK CHECK DAM IS IN THE CLEAR ZONE, IT MUST BE MADE TRAVERSABLE TO AN ERRANT VEHICLE. THE MAXIMUM UNSHIELDED TRANSVERSE SLOPE ALLOWED TO FACE TRAFFIC SHALL BE 1:10 (V:H) AND THE MAXIMUM TRANSVERSE FACING AWAY FROM TRAFFIC SHALL BE 1:4 (V:H). AN UNSHIELDED TEMPORARY ROCK CHECK DAM SHALL HAVE AN ADDITIONAL LAYER OF CA-3 COURSE AGGREGATE (6" MIN.) PLACED ON THE DOWNSTREAM SIDE OF THE ROCK CHECK DAM. THE FILTER FABRIC SHALL BE PLACED ALONG THE ENTIRE BASE OF THE TEMPORARY ROCK CHECK DAM.

TEMPORARY ROCK CHECK DAM
STANDARD SYMBOL

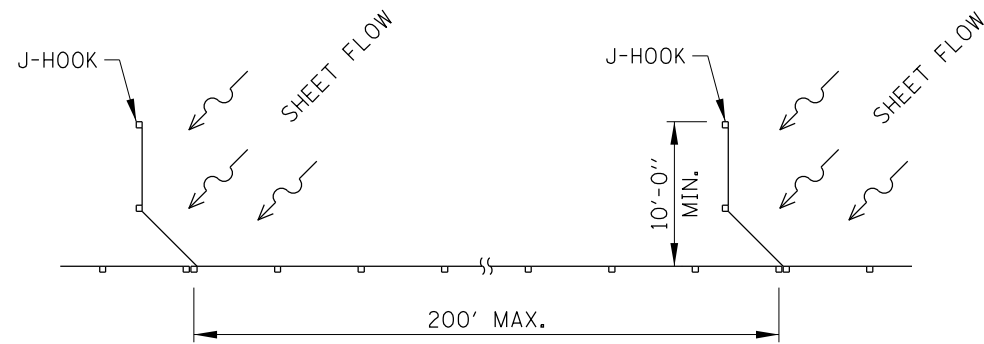




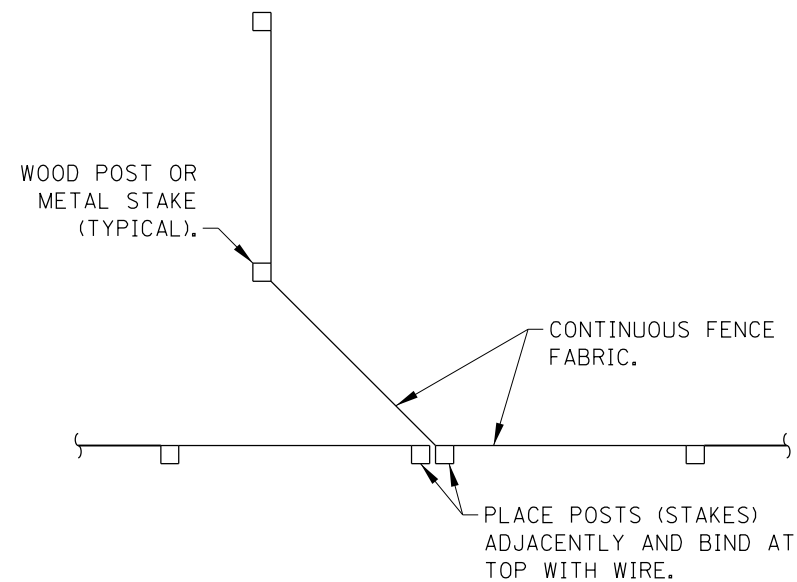
NOTES:

1. PLACE THE END POST OF THE SECOND FENCE INSIDE THE END POST OF THE FIRST FENCE.
2. ROTATE BOTH POSTS AT LEAST 180 DEGREES IN A CLOCKWISE DIRECTION TO CREATE A TIGHT SEAL WITH THE FABRIC MATERIAL.
3. DRIVE BOTH POSTS A MINIMUM OF 24" INTO THE GROUND.

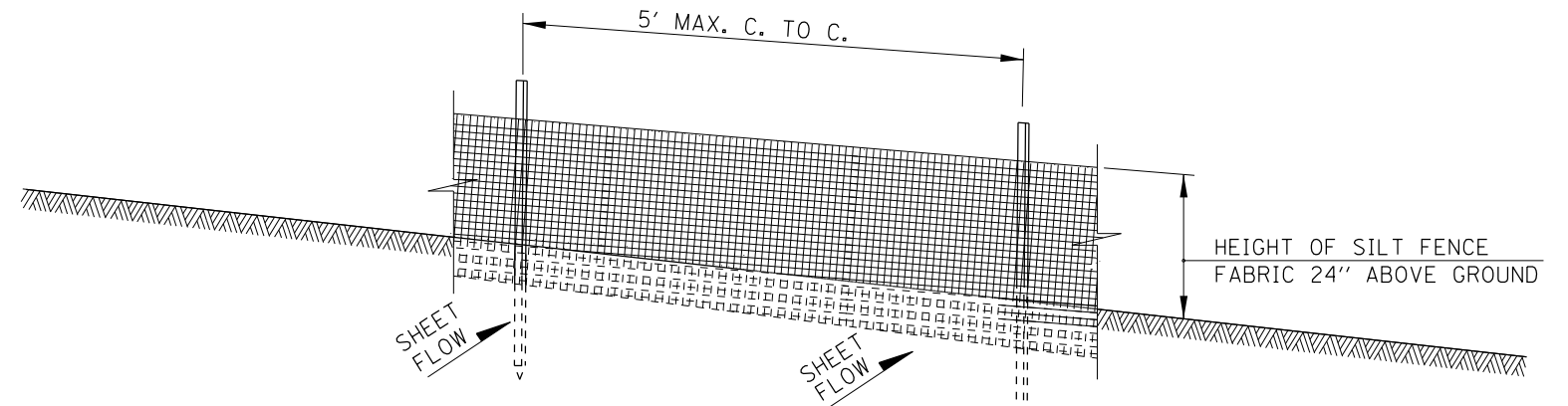
ATTACHING TWO SILT FENCES



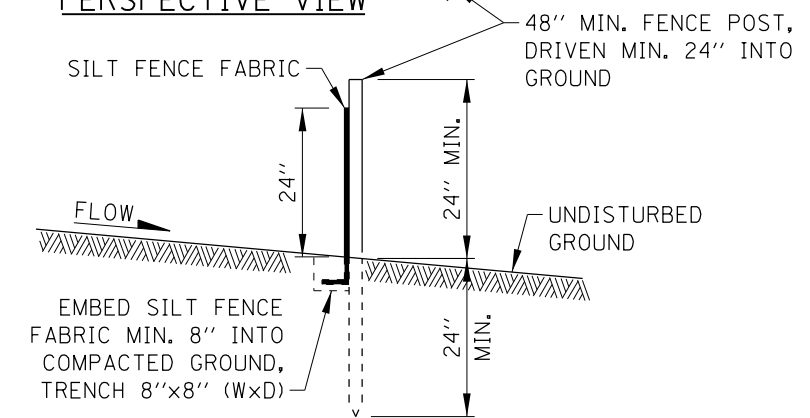
SILT FILTER J-HOOK PLACEMENT



J-HOOK



PERSPECTIVE VIEW

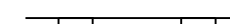


SECTION

NOTES:

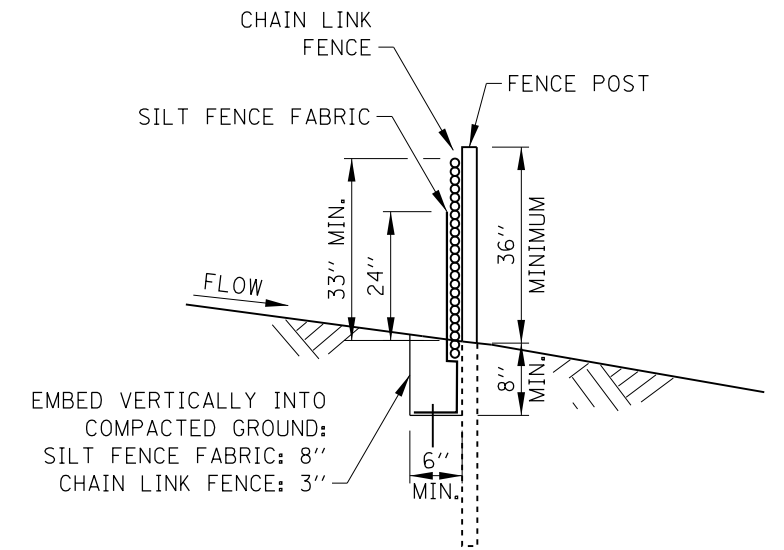
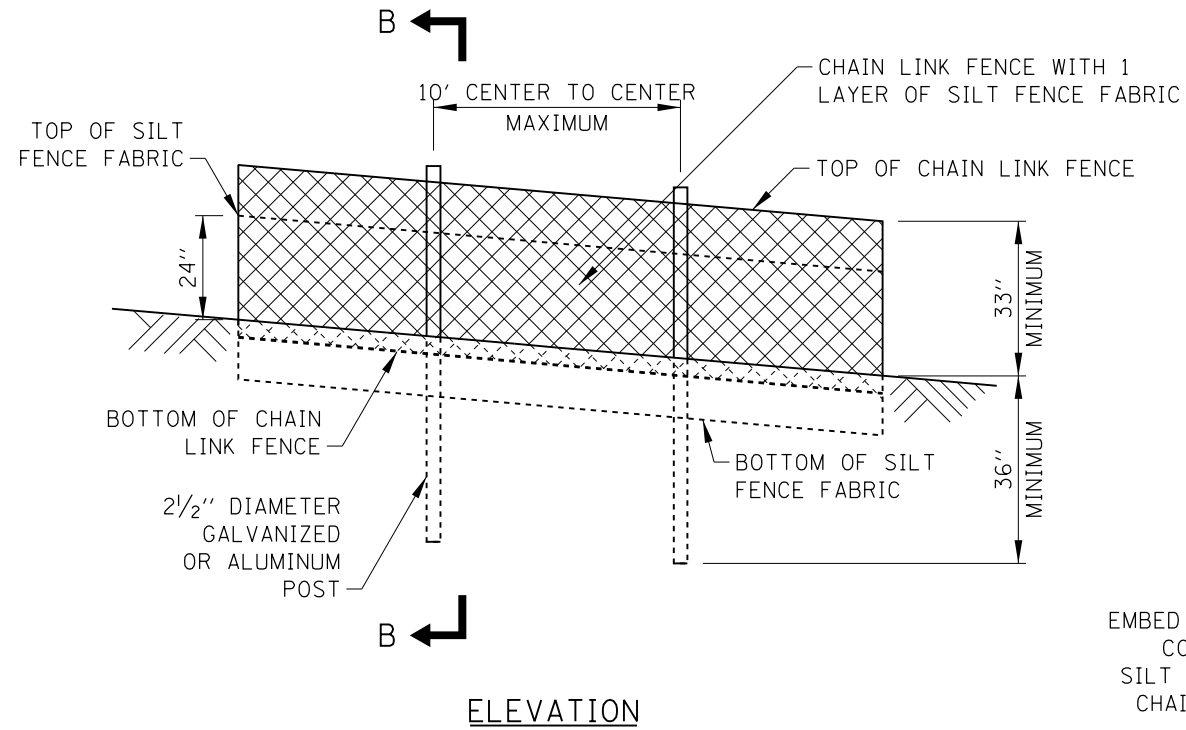
1. SILT FENCE FABRIC TO BE FASTENED SECURELY TO FENCE POSTS.
2. WHEN TWO SECTIONS OF SILT FENCE FABRIC ADJOIN EACH OTHER THEY SHALL BE SECURELY FASTENED PER THE DETAIL ATTACHING TWO SILT FENCES.
3. MAINTENANCE SHALL BE PERFORMED AS NEEDED. SILT BUILD UP AGAINST FENCE SHALL BE REMOVED WHEN "BULGES" DEVELOP IN THE SILT FENCE, OR WHEN SILT REACHES 50% OF FENCE HEIGHT.
4. FENCE POSTS: 2"x2" (NOMINAL) HARDWOOD OR SCHEDULE 40 METAL PIPE OR 1.33 LB/FT MIN. STANDARD T OR U SECTION STEEL POSTS.
5. THIS DEVICE IS TO CONTROL SHEET FLOW ONLY. DO NOT USE FOR CONCENTRATED FLOWS, DRAINAGE CHANNELS, ABOVE OR BELOW DRAINAGE PIPES.

SILT FENCE (SF)
STANDARD SYMBOL

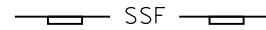


NOTES:

1. FENCING SHALL BE 36" IN HEIGHT AND CONSTRUCTED IN ACCORDANCE WITH ILLINOIS TOLLWAY STANDARD DRAWING D1, RIGHT-OF-WAY FENCE, TYPE 1. THE SPECIFICATION FOR A 6' FENCE SHALL BE USED, SUBSTITUTING 36" FABRIC AND 6' LENGTH POSTS.
2. CHAIN LINK FENCE SHALL BE FASTENED SECURELY TO THE FENCE POSTS WITH WIRE TIES. THE LOWER TENSION WIRE, BRACE AND TRUSS RODS, DRIVE ANCHORS AND POST CAPS ARE NOT REQUIRED. PULL POSTS, CORNER POSTS, HORIZONTAL BRACING AND TIE RODS ARE NOT REQUIRED.
3. SILT FENCE FABRIC SHALL BE FASTENED SECURELY TO THE CHAIN LINK FENCE WITH TIES SPACED EVERY 24" AT THE TOP AND MID SECTION.
4. WHEN TWO SECTIONS OF SILT FENCE FABRIC ADJOIN EACH OTHER, THEY SHALL BE OVERLAPPED 2' HORIZONTALLY.
5. MAINTENANCE SHALL BE PERFORMED AS NEEDED. SILT BUILD-UP AGAINST FENCE SHALL BE REMOVED WHEN SILT REACHES 50% OF FENCE HEIGHT.
6. SUPER SILT FENCE IS TO BE USED TO PROTECT ENVIRONMENTALLY SENSITIVE AREAS AND CONTROL SEDIMENT RUNOFF FROM CONSTRUCTION SITES WHEN ADDITIONAL REINFORCEMENT IS REQUIRED DUE TO SLOPE OF SITE OR VOLUME OF STORM WATER RUNOFF.

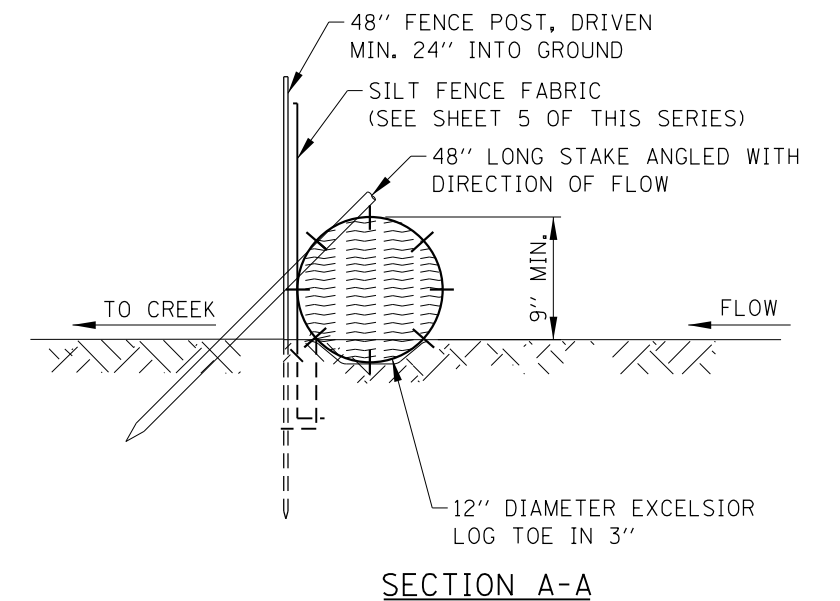
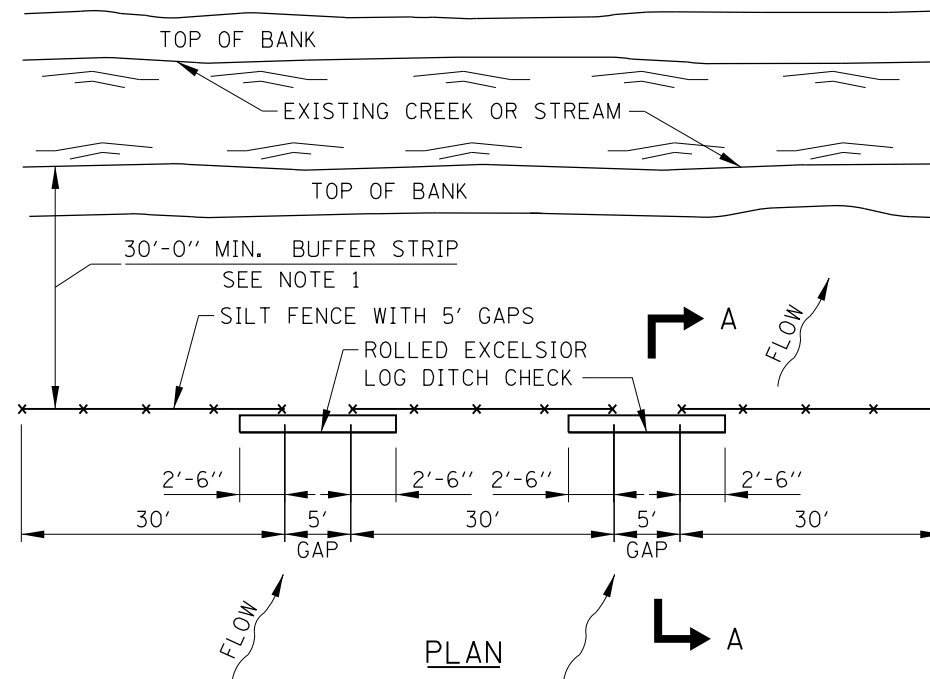


SUPER SILT FENCE (SSF)
STANDARD SYMBOL



NOTES:

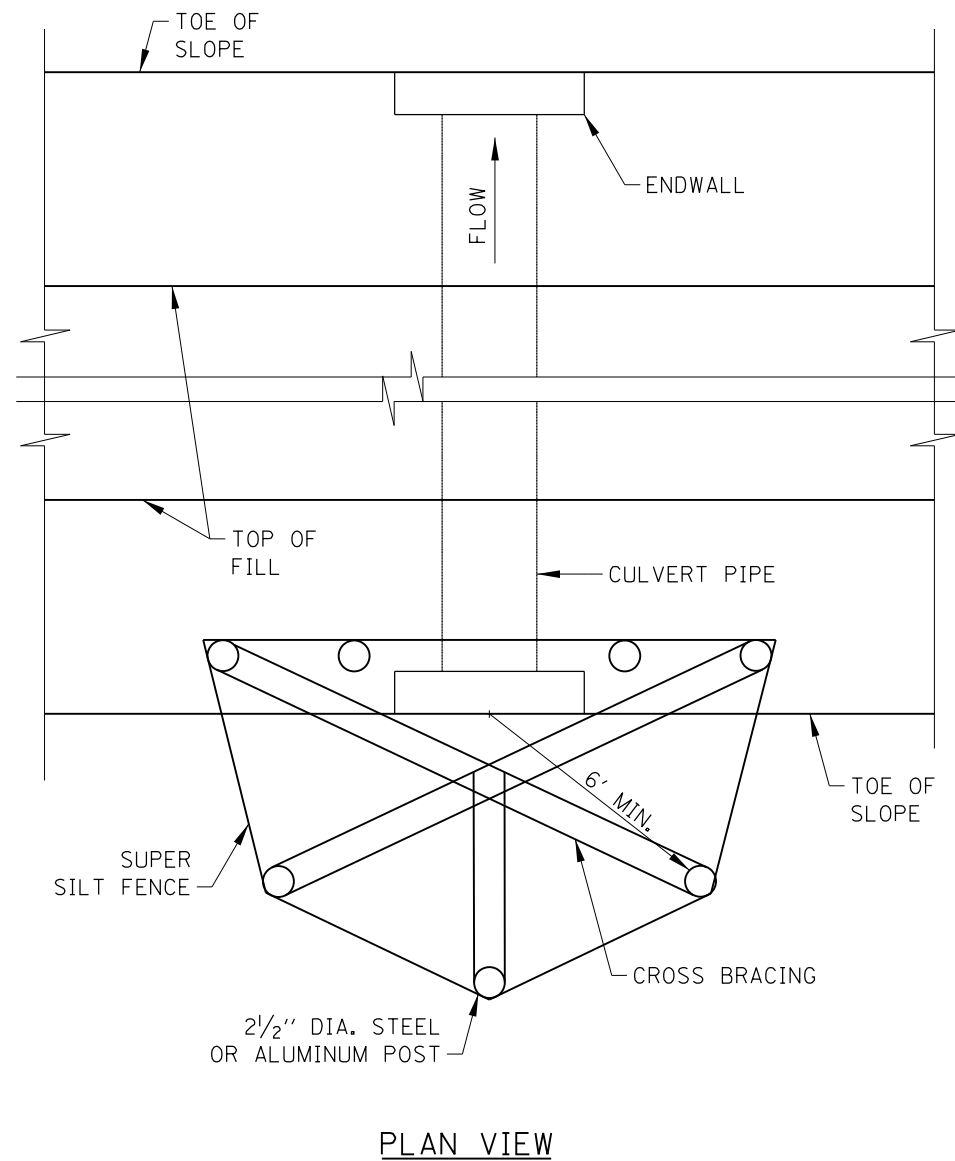
1. A MINIMUM 50' WIDE VEGETATED BUFFER STRIP SHALL BE PRESERVED AND/OR RE-ESTABLISHED WHERE POSSIBLE ALONG EXISTING CHANNELS.
 - a. FOR ANY WATERS OF THE U.S. DETERMINED TO BE A HIGH-QUALITY AQUATIC RESOURCE, THE BUFFER MUST BE A MINIMUM OF 100'.
 - b. FOR ANY WATERS OF THE U.S. THAT DO NOT QUALIFY AS WETLAND (FOR EXAMPLE LAKES, RIVERS, PONDS, ETC.), THE BUFFER MUST BE A MINIMUM OF 50' FROM THE ORDINARY HIGH WATER MARK (OHWM).
 - c. FOR ANY JURISDICTIONAL WETLAND, THE BUFFER MUST BE A MINIMUM OF 50'.
2. THE 5' GAPS IN THE SILT FENCE AND THE 12" DIAMETER TEMPORARY DITCH CHECKS ARE TO ALLOW FLOODWATER FLOW INTO THE CREEK FROM THE SITE WITHOUT DAMAGE TO THE SILT FENCE.
3. MAINTENANCE SHALL BE PERFORMED AS NEEDED AND SILT SHALL BE REMOVED WHEN IT REACHES 50% OF ROLL HEIGHT. WHEN THE ROLLED EXCELSIOR LOG IS REDUCED TO 50% OF ROLL HEIGHT IT SHALL BE REPLACED.



CREEK BUFFER STRIP AND SILT FENCE

APPROVED: *Paul Kovacs* DATE 2-7-2012
CHIEF ENGINEERING OFFICER





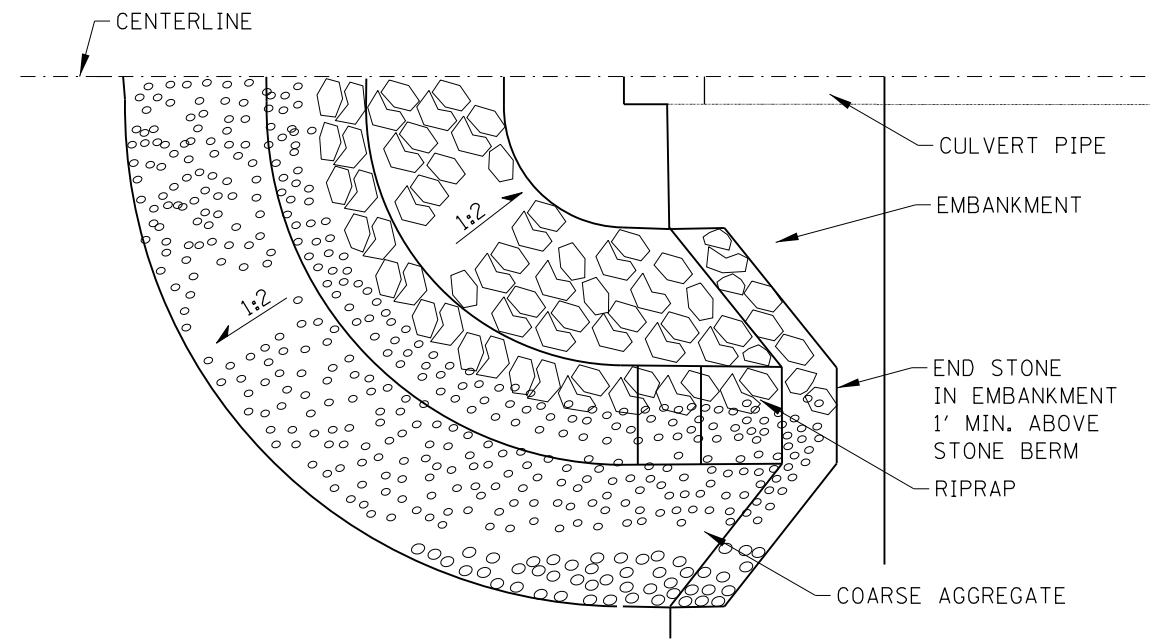
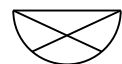
PLAN VIEW

NOTES:

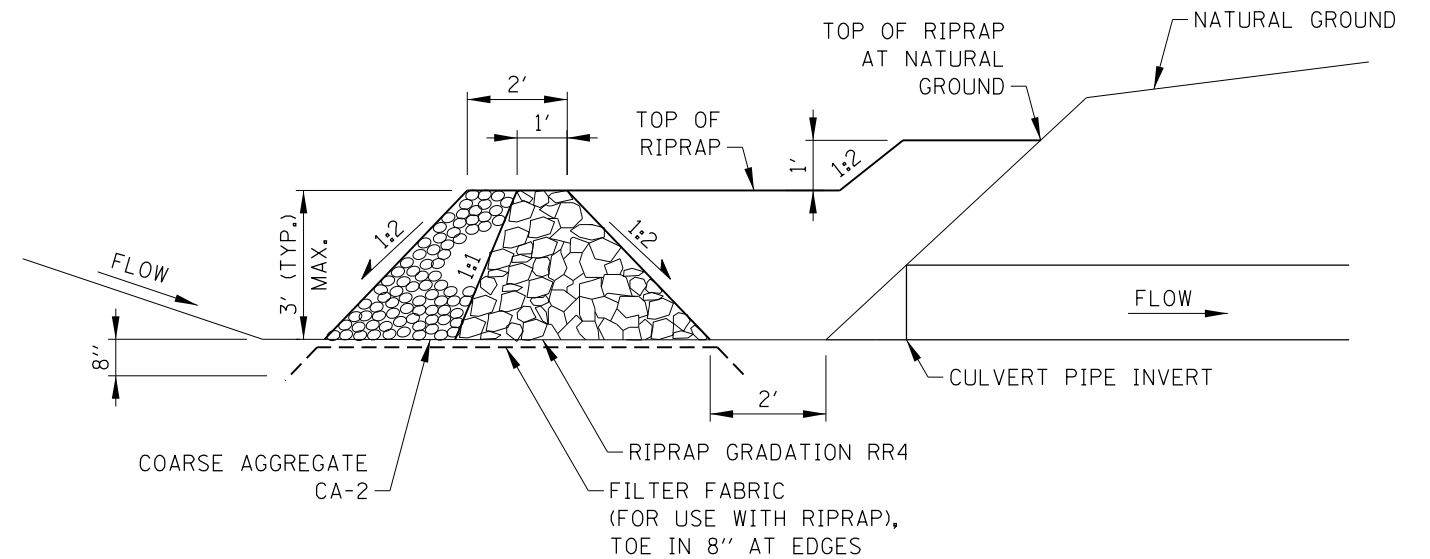
1. CONSTRUCT SUPER SILT FENCE PER SHEET 6 IN THIS SERIES, EXCEPT THE MAXIMUM POST SPACING SHALL BE 3 FEET AND THE TOPS OF POSTS SHALL BE CROSSED BRACED.
2. MAINTENANCE SHALL BE PERFORMED AS NEEDED. SEDIMENT SHALL BE REMOVED WHEN IT REACHES 50% OF THE FENCE HEIGHT.
3. THE CULVERT INLET PROTECTION AND SEDIMENT SHALL BE REMOVED WHEN CONSTRUCTION IS COMPLETE.
4. THE CULVERT INLET PROTECTION - FENCE TO BE MEASURED AND PAID FOR AS SUPER SILT FENCE.

CULVERT INLET PROTECTION - FENCE

STANDARD SYMBOL



HALF PLAN VIEW



CENTERLINE CROSS SECTION

NOTES:

1. MAINTENANCE SHALL BE PERFORMED AS NEEDED. SEDIMENT SHALL BE REMOVED WHEN IT REACHES 50% OF THE STONE HEIGHT.
2. THE CULVERT INLET PROTECTION AND SEDIMENT SHALL BE REMOVED WHEN CONSTRUCTION IS COMPLETE.
3. THE CULVERT INLET PROTECTION - STONE TO BE MEASURED AND PAID FOR AS TEMPORARY RIPRAP.

CULVERT INLET PROTECTION - STONE

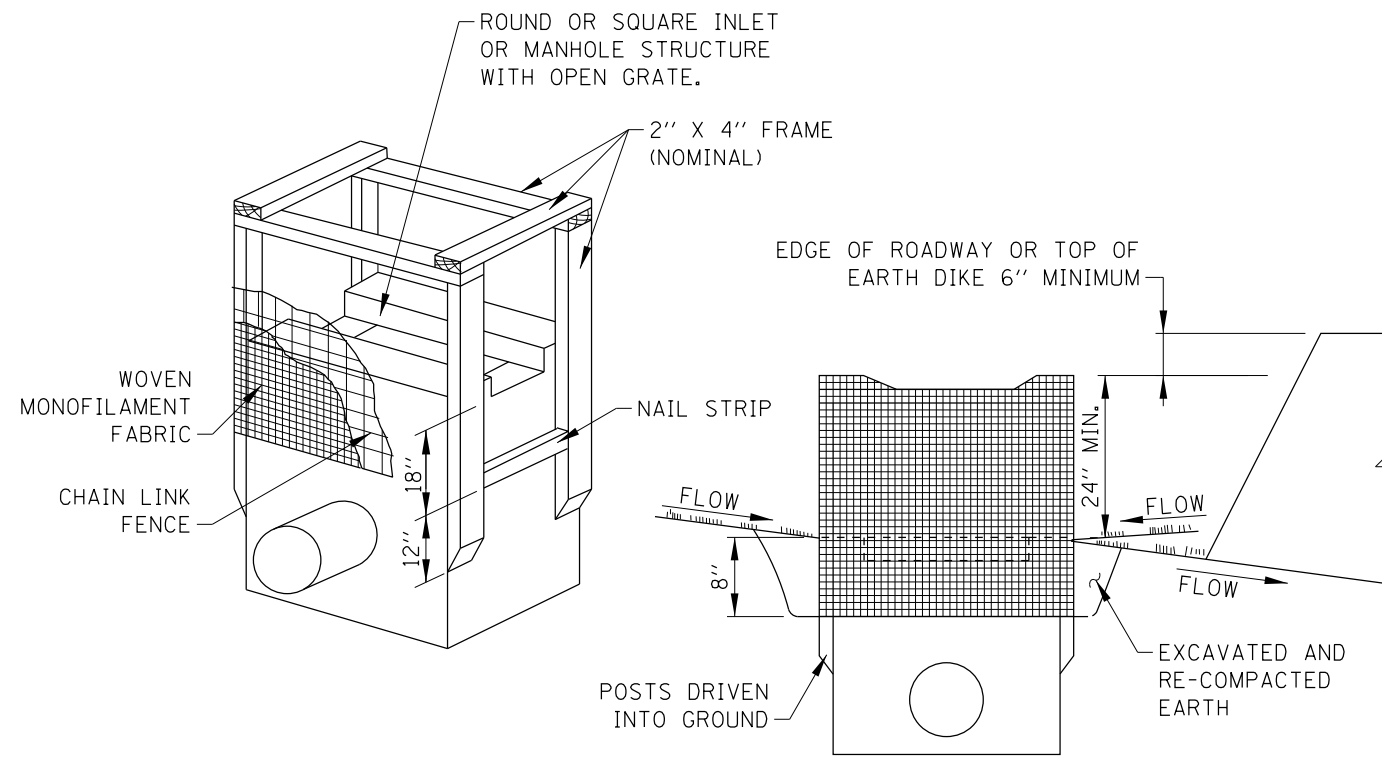
STANDARD SYMBOL



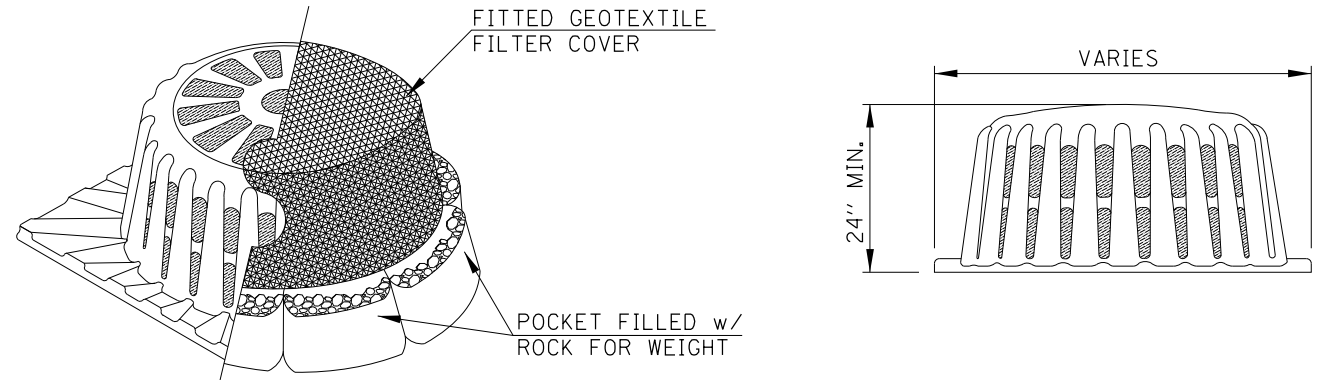
TEMPORARY EROSION AND SEDIMENT CONTROLS

STANDARD K1-08

APPROVED: *Paul Kovacs* DATE 2-7-2012
CHIEF ENGINEERING OFFICER



WOOD FRAME

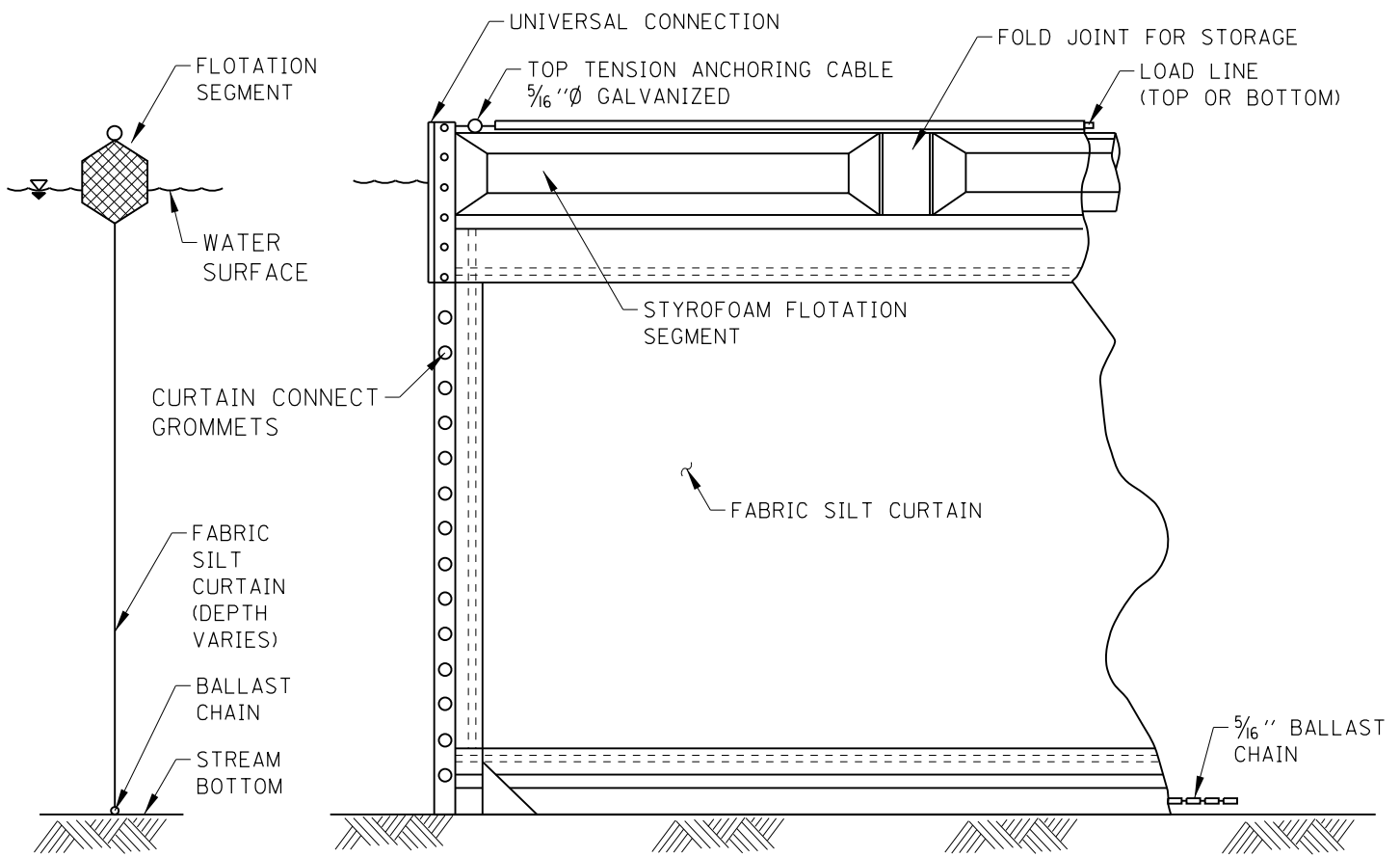


POLYETHYLENE FRAME

NOTES:

1. WOODEN FRAME IS TO BE CONSTRUCTED OF 2"x4" CONSTRUCTION GRADE LUMBER. AT THE CONTRACTOR'S OPTION, THE WOOD FRAME CAN BE SUBSTITUTED USING 2 1/2" GALVANIZED OR ALUMINUM POSTS INSTALLED AS SPECIFIED FOR SUPER SILT FENCE.
2. MAINTENANCE SHALL BE PERFORMED AS NEEDED AND SILT REMOVED WHEN IT REACHES 50% OF FENCE HEIGHT.
3. TO BE USED TO PROTECT EXISTING AND NEW INLETS, CATCH BASINS AND MANHOLES WITH OPEN LIDS IN NON-PAVED AREAS.

RECTANGULAR INLET PROTECTION
STANDARD SYMBOL



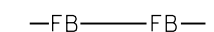
SECTION

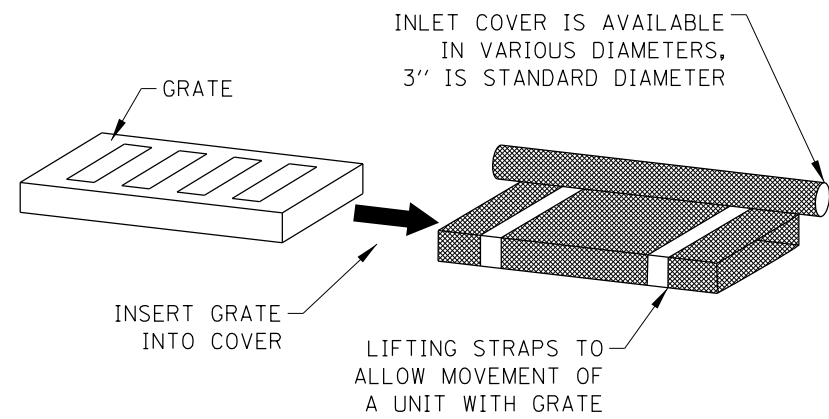
ELEVATION

NOTES:

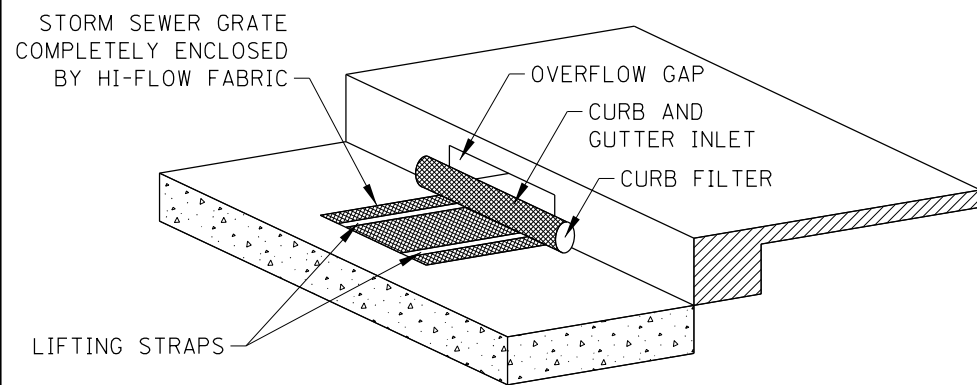
1. FLOTATION BOOM FOR USE IN MOVING WATER SHALL BE ANCHORED TO PREVENT DRIFT SHOREWARD OR DOWNSTREAM. ANCHORAGES SHALL BE INSTALLED ON BOTH SHORE AND STREAM SIDE. BOOMS ARE NOT TO BE INSTALLED ACROSS FLOWING BODY OF WATER.
2. SHORE ANCHORS SHALL CONSIST OF A POST WITH DEADMAN OR APPROVED EQUAL. STREAM ANCHORS SHALL BE OF SUFFICIENT SIZE TO STABILIZE THE BARRIER WITH NUMBER AND SPACING DEPENDENT ON WATERWAY VELOCITIES.
3. FABRIC SECTIONS SHALL BE CONNECTED END TO END WITH MINIMUM 5/8" DIAMETER POLYPROPYLENE ROPE.
4. DESIGN OF BOOM AND ANCHORAGE SHALL BE IN ACCORDANCE WITH MANUFACTURER'S RECOMMENDATIONS. BOTTOM OF BOOM SHALL REACH BOTTOM OF WATERWAY USING ONE VERTICAL SECTION AS REQUIRED.
5. MAINTENANCE SHALL BE PERFORMED AS NEEDED. CONTRACTOR SHALL REMOVE THE BOOM AT COMPLETION OF WORK IN A MANNER THAT WILL PREVENT SILTATION OF THE WATERWAY.
6. CONSTRUCTION DEBRIS/MATERIALS SHALL BE REMOVED IMMEDIATELY TO PREVENT DAMAGE TO THE CURTAIN AND ENTRY INTO THE WATERWAY.
7. FLOTATION BOOMS TO BE USED TO CONTROL TURBIDITY WHEN WORKING IN WATERWAYS.

FLOTATION BOOM
STANDARD SYMBOL





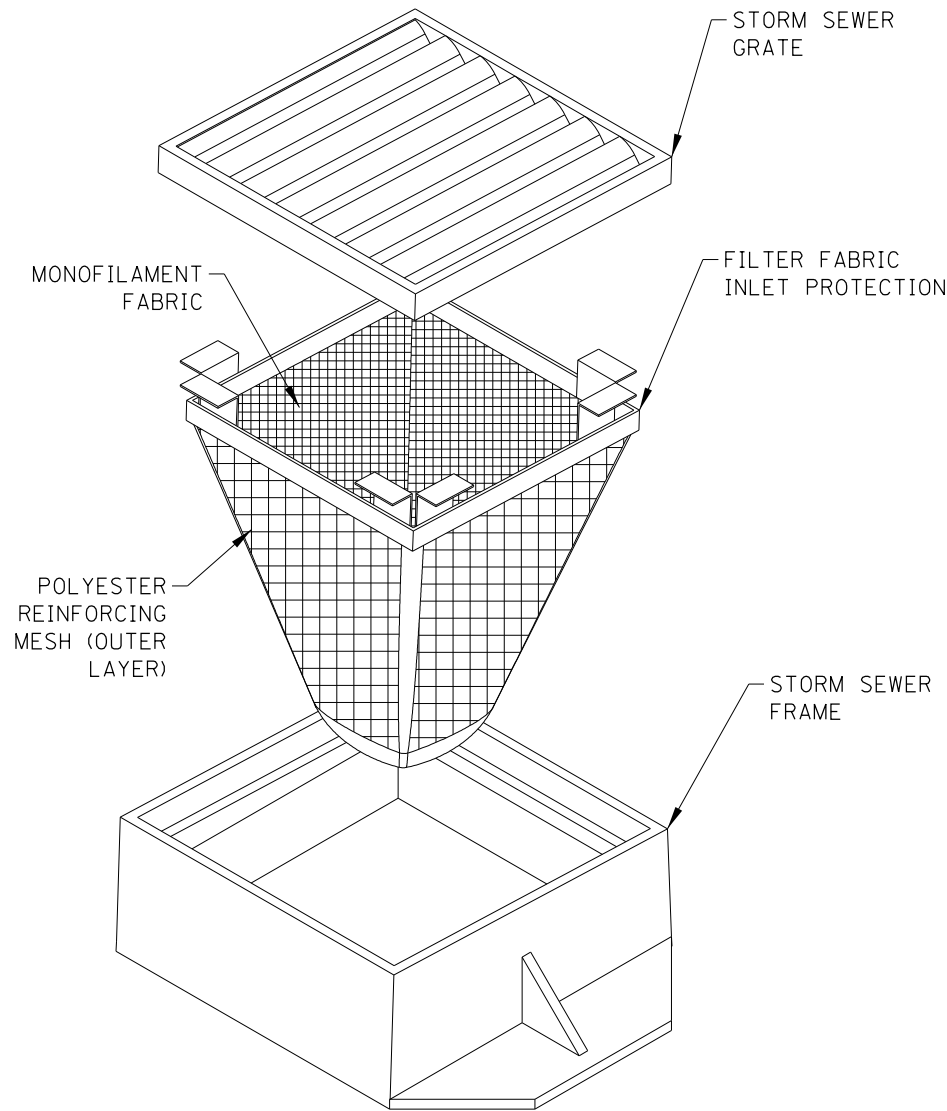
GRATE AND COVER DETAIL



NOTES:

1. COVER TYPE INLET PROTECTION SHALL CONSIST OF FABRIC SLEEVE AND, IF NECESSARY, CURB FILTER.
2. DEVICE SHALL BE EQUIPPED WITH AN OVERFLOW GAP SO DRAINAGE TO INLET IS NOT COMPLETELY BLOCKED IF DEVICE IS FULL OF SILT.
3. MAINTENANCE SHALL BE PERFORMED AS NEEDED. REMOVE SILT FROM FABRIC INSERT WHEN SEDIMENT ACCUMULATES, THE FILTER BECOMES CLOGGED, AND/OR PERFORMANCE IS COMPROMISED. WHEN THERE IS EVIDENCE OF SEDIMENT ACCUMULATION ADJACENT THE THE INLET PROTECTION MEASURE, THE DEPOSITED SEDIMENT SHALL BE REMOVED BY THE END OF THE SAME BUSINESS DAY IN WHICH IT IS FOUND OR BY THE END OF THE FOLLOWING BUSINESS DAY IF REMOVAL THE SAME BUSINESS DAY IS NOT FEASIBLE.
4. STORM SEWER GRATE SHALL BE COMPLETELY ENCLOSED BY FABRIC.
5. GRATE AND FILTER ARE TO BE SET SECURELY BACK IN FRAME.

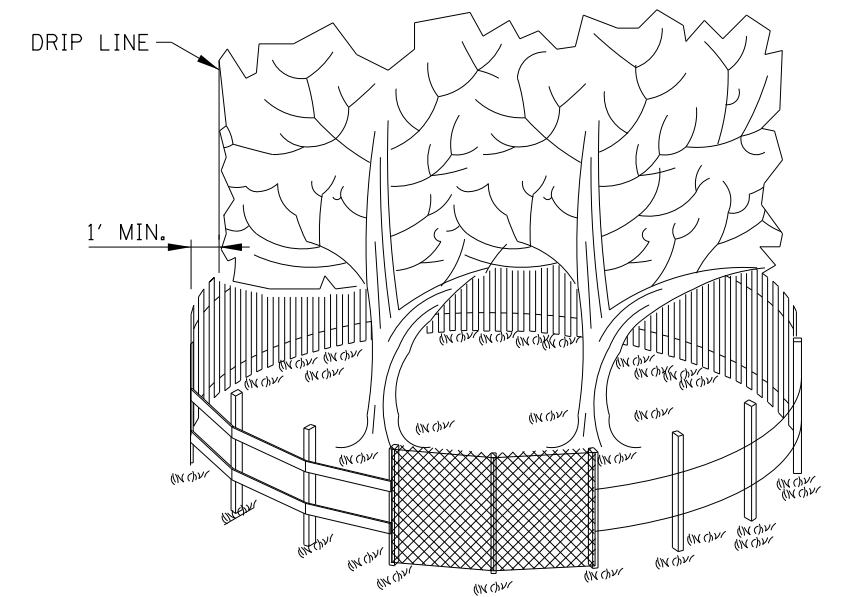
FILTER FABRIC INLET PROTECTION - COVER TYPE



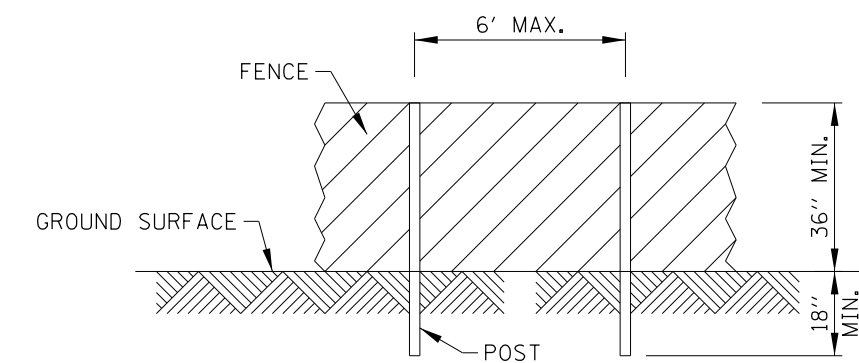
NOTES:

1. MONOFILAMENT FABRIC INLET PROTECTION SHALL CONSIST OF INLET BASKET, FRAME AND FABRIC INSERT.
2. DEVICE SHALL BE EQUIPPED WITH AN OVERFLOW FEATURE SO DRAINAGE TO INLET IS NOT COMPLETELY BLOCKED IF DEVICE IS FULL OF SILT.
3. INLET BASKET IS AVAILABLE TO FIT ROUND, RECTANGULAR, BEEHIVE OR CURB INLET CASTINGS.
4. MAINTENANCE SHALL BE PERFORMED AS NEEDED. REMOVE SILT FROM FABRIC INSERT WHEN 50% OF CAPACITY IS REACHED. REMOVE SILT FROM INTERIOR AND EXTERIOR OF INLET COVER WHEN 50% OF COVER HEIGHT IS REACHED. WHEN THERE IS EVIDENCE OF SEDIMENT ACCUMULATION ADJACENT THE THE INLET PROTECTION MEASURE, THE DEPOSITED SEDIMENT SHALL BE REMOVED BY THE END OF THE SAME BUSINESS DAY IN WHICH IT IS FOUND OR BY THE END OF THE FOLLOWING BUSINESS DAY IF REMOVAL THE SAME BUSINESS DAY IS NOT FEASIBLE.

FILTER FABRIC INLET PROTECTION - BASKET TYPE



SIDE VIEW



POST AND FENCE DETAIL

NOTES:

1. THE FENCE SHALL BE LOCATED 1 FOOT MINIMUM OUTSIDE THE DRIP LINE OF THE TREE TO BE SAVED AND IN NO CASE CLOSER THAN 5 FEET TO THE TRUNK OF ANY TREE.
2. THE FENCE SHALL BE HIGH VISIBILITY PLASTIC OR WOOD LATH SNOW FENCE TO CLEARLY DELINEATE THE PROTECTION AREA.
3. USED TO PROTECT TREES FROM DISTURBANCE AND FROM EQUIPMENT TRAVELING OVER THE ROOT ZONE.

**TREE PROTECTION
STANDARD SYMBOL**

