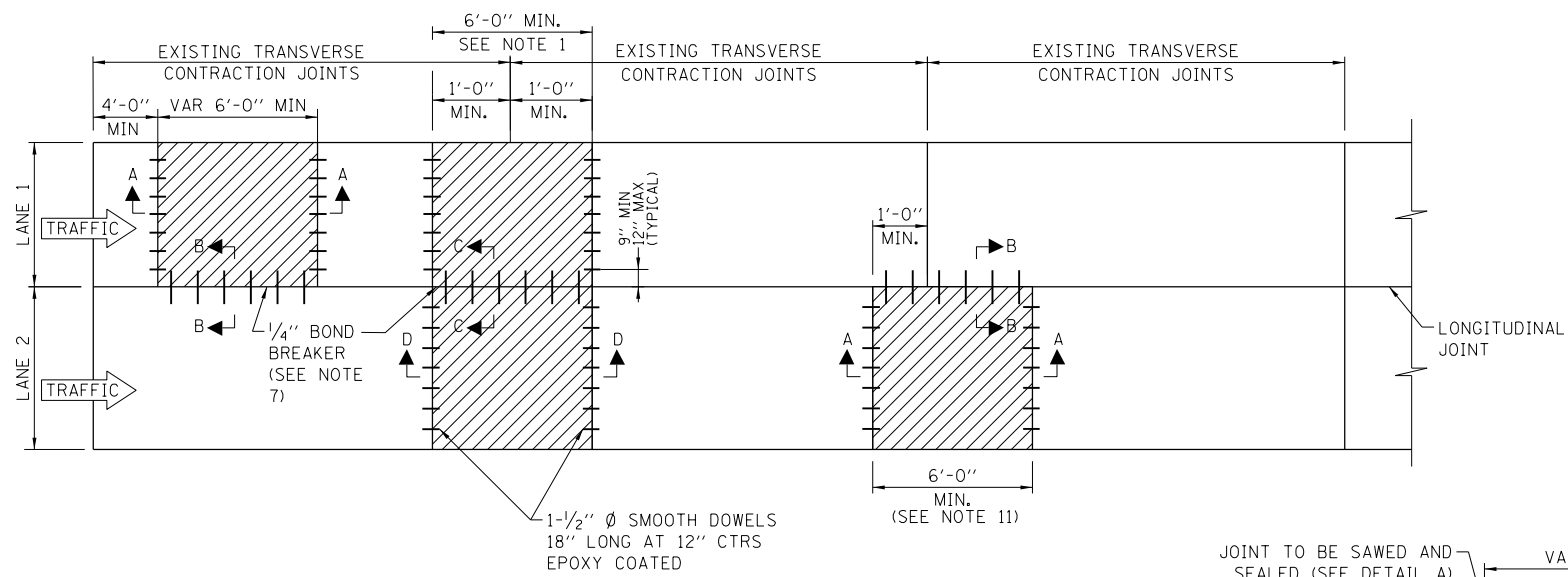


Illinois Tollway Standard Drawing Revisions
--

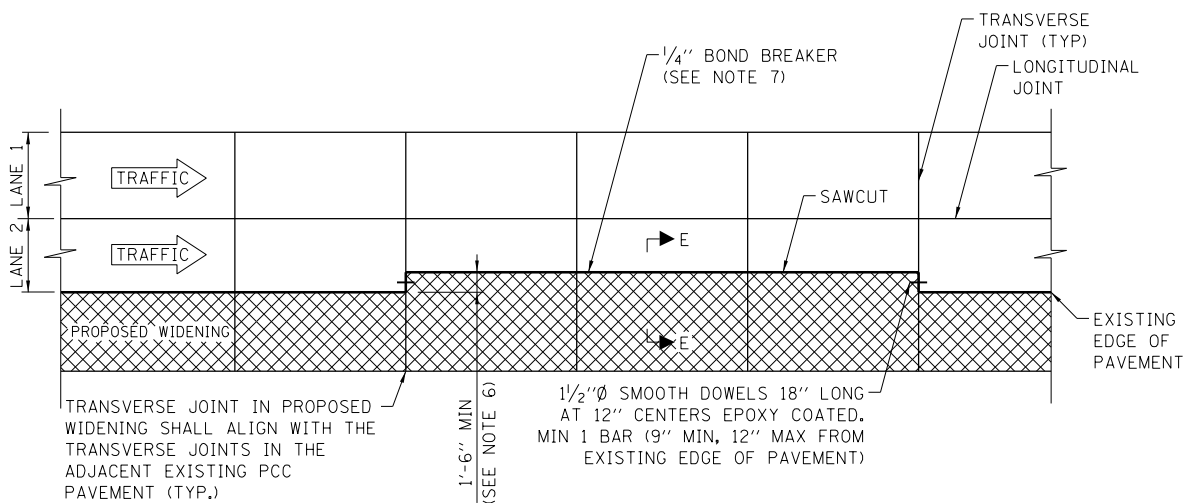
Section A	Roadway / Pavement	Effective: 03-31-2016
	Standard	Modification Summary
	All	The electronic (pdf) version of the Standard Drawing are now made searchable (text).
	A1	Concrete Pavement Repair Full Depth Revised Repair Typical Roadway Plan to show patch at contraction joint in one lane only and to show offset midpanel patches. Revised minimum offset from existing contraction joint to patch to be 4' min. Revised minimum distance across existing contraction joint that patch must be extended to 1' min. Added transverse joints in the proposed widening plan along with note that these joints shall be aligned with existing joints. Revised reference to Note 4 (instead of Detail A) in callout for joint saw/seal in both Sections B-B, C-C and E-E for longitudinal jts. Revised Detail A and added Detail B. Added one lane patch layout at transverse joint to the Proposed Concrete Pavement Full Depth Repair Typical Roadway Plan Revised Note 1 and details for dimensions from existing transverse contraction joints to the patch. Revised Note 3 to begin with "Unless otherwise noted.." and that this applies for for both dowels and tie bars which are drilled/grouted. Revised Note 4 and regard which joint details to use. Revised Note 6 reference to Standard Specifications Article 109.04 to be Tollway Supplemental Specifications Article 109.04. Added Notes 10 and 11.
	A2	Asphalt Overlay Repair Revised sheet title. Revised Asphalt Prime Coat to Asphalt Tack Coat in Section A-A & B-B. Added Patch areas which cross transvers and longitudinal joint to the Plan view; Added Section C-C Added Note 5
	A4	Butt Joints and Temporary Asphalt Wedge Revised Asphalt Prime Coat to Asphalt Tack Coat in Details. Added Note 4 for Butt Joint Type 2
	A5	J.P.C Pavement 12" or Less Added subbase over-build and associated Note 6. Revised references to Stabilized Subbase to be Asphalt Stabilized Subbase.
	A6	J.P.C Pavement 13" Added subbase over-build and associated Note 6. Revised references to Stabilized Subbase to be Asphalt Stabilized Subbase.
	A7	Pavement Joints Updated note for 13" pavement dowel bars to include that they shall be smooth and epoxy coated.
	A8	2-Lane CRC Pavement (with Lug System) RESERVED Retired Standard. Revised to "Reserved"
	A9	3-Lane CRC Pavement (with Lug System) RESERVED Retired Standard. Revised to "Reserved"
	A10	4-Lane CRC Pavement (with Lug System) RESERVED Retired Standard. Revised to "Reserved"
	A11	5-Lane CRC Pavement (with Lug System) RESERVED Retired Standard. Revised to "Reserved"
	A12	Reinforcement Bars for CRC Pavement RESERVED Retired Standard. Revised to "Reserved"
	A13	CRC Roadway Transition Pavement RESERVED Retired Standard. Revised to "Reserved"
	A14	Jointing Plan Parallel Entrance Ramp Terminal Sheet 1 Added 24" length and epoxy coated to tie bar call out for longitudinal joints. Sheet 2 Added 24" length and epoxy coated to tie bar call out for longitudinal joints. Revised Note 3 (no longer referencing Standard A12)
	A15	Jointing Plan Parallel Exit Ramp Terminal Sheet 1 Added 24" length and epoxy coated to tie bar call out for longitudinal joints. Sheet 2 Added 24" length and epoxy coated to tie bar call out for longitudinal joints. Revised Note 2 (no longer referencing Standard A12)
	A16	Jointing Plan Parallel Exit Ramp Terminal Sheet 1 Revised Note 5. Added 24" length and epoxy coated to tie bar call out for longitudinal joints. Sheet 2 Revised Note 3. Added 24" length and epoxy coated to tie bar call out for longitudinal joints. Added Note 7 referencing Contract Plans and Documents for details of pavement reinforcement (for CRC). Added title at bottom of sheet.
	A17	Jointing Plan Parallel Entrance Ramp Terminal Sheet 1 Added 24" length and epoxy coated to tie bar call out for longitudinal joints. Sheet 2 Added 24" length and epoxy coated to tie bar call out for longitudinal joints. Revised Note 2 (no longer referencing Standard A12)
	A18	Precast Pavement Slabs Sheets 1-19 Minor drafting revisions and spelling corrections. Sheet 11 Note - revised maximum to minimum for the 2'-0" offset between transverse joints which are not aligned. Sheet 12 Revised max. to min. for the 2'-0" offset between transverse joints which are not aligned. Sheet 18 Revised bottom stitching bar callout to reference to Detail H on Sheet 19

New Sheet

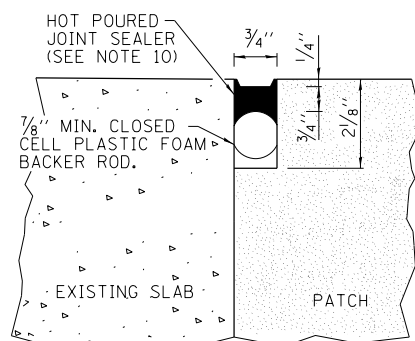
X Retired Standard



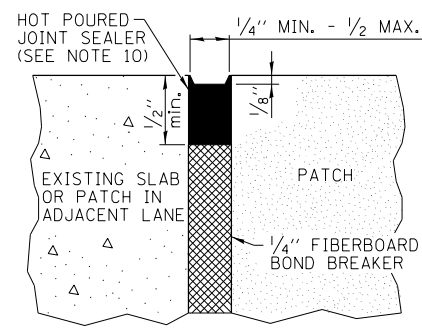
PROPOSED CONCRETE PAVEMENT FULL DEPTH REPAIR TYPICAL ROADWAY PLAN (PAID AS CLASS B PATCH)



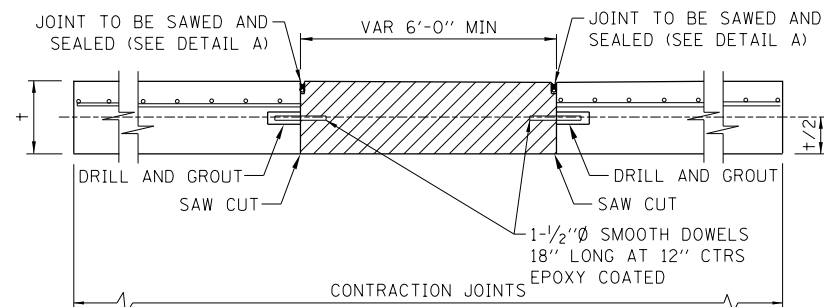
REPLACEMENT OF DETERIORATED PAVEMENT EDGES ADJACENT TO PROPOSED WIDENING (PAID AS PART OF WIDENING)



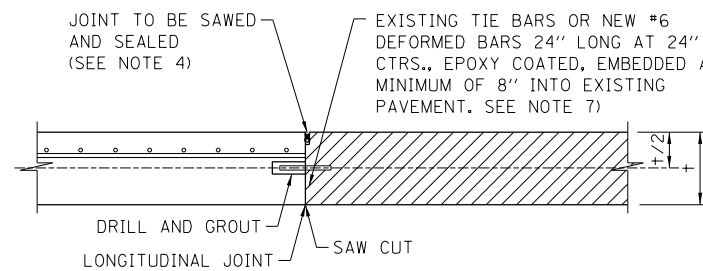
DETAIL A (TRANSVERSE JOINT)



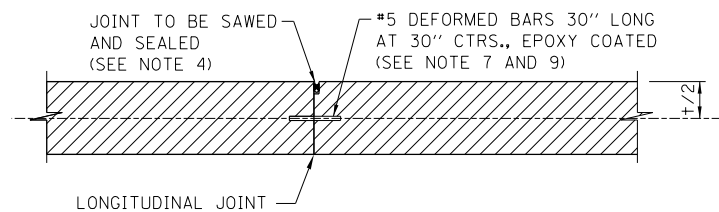
DETAIL B (LONGITUDINAL JOINT) (FOR PATCHES 20' OR LESS IN LENGTH)



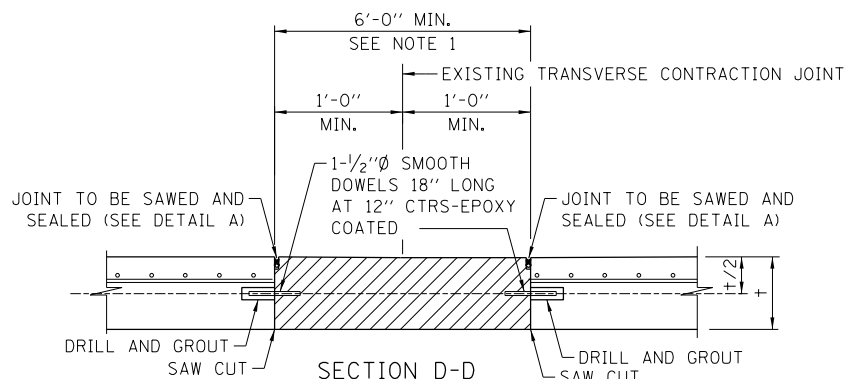
REPAIR - FULL DEPTH, ONE LANE



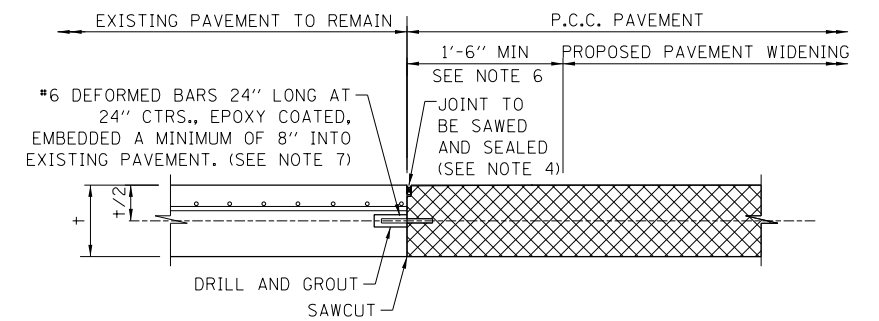
REPAIR ALONG LONGITUDINAL JOINT



REPAIR THROUGH LONGITUDINAL JOINT



REPAIR AT CONTRACTION JOINT



REPLACEMENT OF DETERIORATED PAVEMENT EDGES ADJACENT TO PROPOSED WIDENING

GENERAL NOTES:

- THE MINIMUM OVERALL DIMENSIONS OF REPAIRS SHALL BE SIX (6) FEET BY THE LANE WIDTH EXCEPT FOR REPLACEMENT OF DETERIORATED PAVEMENT EDGES ADJACENT TO PROPOSED WIDENING (SEE SECTION E-E). REPAIRS TERMINATING AT TRANSVERSE CONTRACTION JOINTS SHALL BE EXTENDED ONE FOOT ACROSS THE JOINT. WHEN A REPAIR EXTENDS WITHIN FOUR FEET OF AN EXISTING TRANSVERSE CONTRACTION JOINT THE REPAIR SHALL BE EXTENDED ONE FOOT BEYOND THE JOINT.
- WHENEVER A REPAIR IS CONSTRUCTED IN TWO OR MORE SEGMENTS BECAUSE OF MAINTENANCE OF TRAFFIC STAGING REQUIREMENTS, EACH SEGMENT SHALL BE CONSIDERED A SEPARATE PATCH WITH SIX (6) FEET MINIMUM DIMENSION.
- UNLESS OTHERWISE NOTED, DRILLED AND GROUTED DOWELS AND TIE BARS SHALL BE EMBEDDED 1/2 THEIR LENGTH INTO THE EXISTING CONCRETE USING CHEMICAL ADHESIVE AS SPECIFIED.
- ONLY LONGITUDINAL JOINTS IN THE REPAIR AREA IN PAVEMENT NOT TO BE RESURFACED SHALL BE SAWCUT AND SEALED PER IDOT HIGHWAY STANDARD 420001 (PAVEMENT JOINTS) WHEN PATCH LENGTH IS GREATER THAN 20' AND PER DETAIL B WHEN PATCH LENGTH IS 20' OR LESS.
- FOR REPAIR OF ASPHALT OVERLAY AND P.C.C. PAVEMENT SHALL BE SAW CUT FULL DEPTH. PATCH SHALL MEET EXISTING CROSS SECTION MATERIALS.
- AT LOCATIONS OF PROPOSED PAVEMENT WIDENING, EDGE DETERIORATION REQUIRING FULL DEPTH REPAIR SHALL BE REPAIRED BY REMOVAL AND REPLACEMENT OF A MINIMUM OF 1'-6" WIDE STRIP. THE NEW PAVEMENT SHALL BE CONSTRUCTED MONOLITHICALLY WITH THE PAVEMENT WIDENING. ANY SAW CUTTING AND REMOVAL WILL BE CONSIDERED EXTRA WORK, WITH PAYMENT PER ARTICLE 109.04 OF THE ILLINOIS TOLLWAY SUPPLEMENTAL SPECIFICATIONS, UNLESS OTHERWISE PROVIDED IN THE CONTRACT.
- WHEN PATCH LENGTH OR EDGE REPAIR LENGTH IS 20' OR LESS, TIE BARS CAN BE OMITTED. IF TIE BARS ARE OMITTED, THEN BOND BREAKER SHALL BE USED. WHEN PATCH LENGTH IS MORE THAN 20', TIE BARS SHALL BE USED.
- TYPICAL ROADWAY PLAN FOR FULL DEPTH REPAIR IS APPLICABLE TO ALL PAVEMENTS, LANE WIDTHS AND NUMBER OF EXISTING LANES.
- THE TIE BAR FOR THE LONGITUDINAL SAWED JOINT SHALL BE 15" FROM THE TRANSVERSE CONTRACTION JOINT.
- OMIT SEALING OF ALL JOINTS IN THE REPAIR AREA OF PAVEMENT TO BE RESURFACED.
- THE MAXIMUM LENGTH BETWEEN TRANSVERSE CONTRACTION JOINTS IN ANY PATCH SHALL BE 15'.

LEGEND

- EXISTING WELDED WIRE FABRIC (10" PAVEMENT ONLY)
- EXISTING PAVEMENT
- PROPOSED CONCRETE PAVEMENT REPAIR - FULL DEPTH
- PROPOSED CONCRETE PAVEMENT WIDENING
- + = CONCRETE PAVEMENT THICKNESS

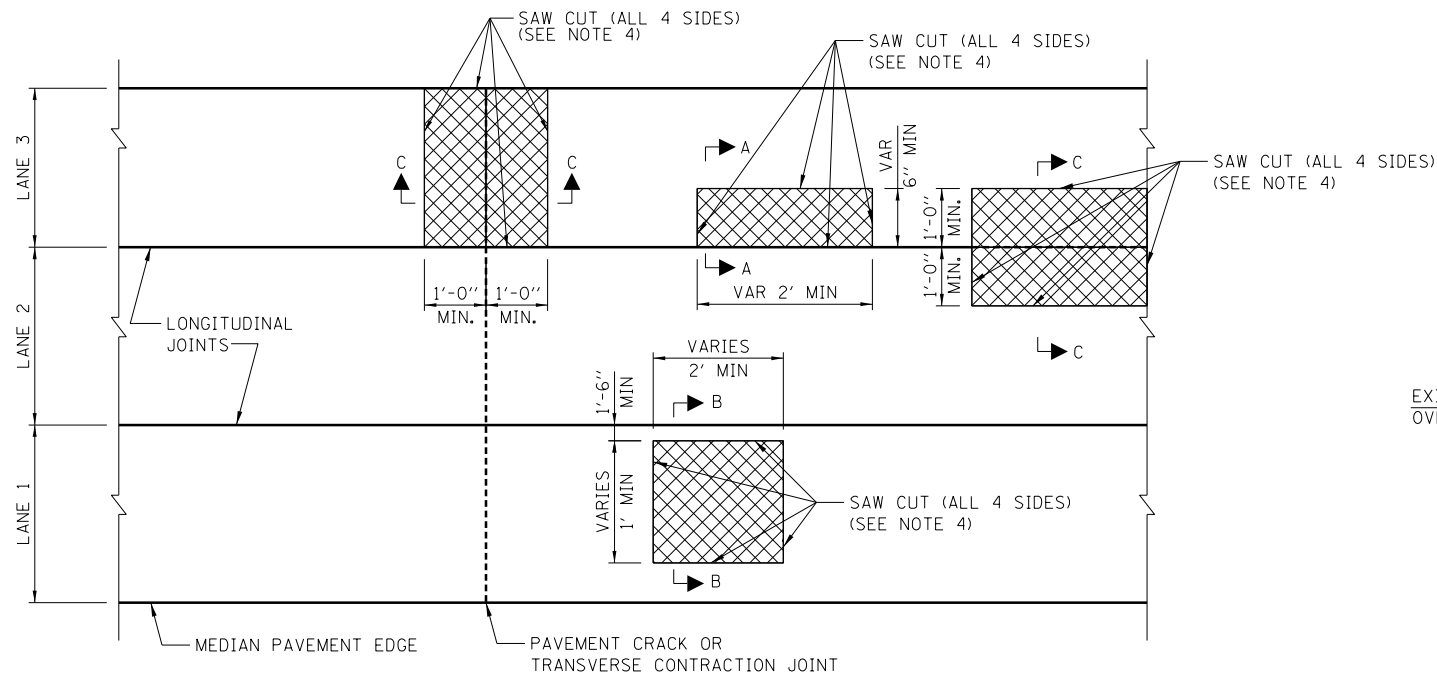
DATE	REVISIONS
5-01-2009	MODIFIED JOINT DETAILS
1-01-2011	REVISED NOTE 7
3-11-2015	REVISED REPAIR NOTE CONTRACTION JOINT AND ADDED A NOTE.
3-31-2016	REVISED MIN. DIMENSION FROM TRANS JOINT & REVISED NOTES.



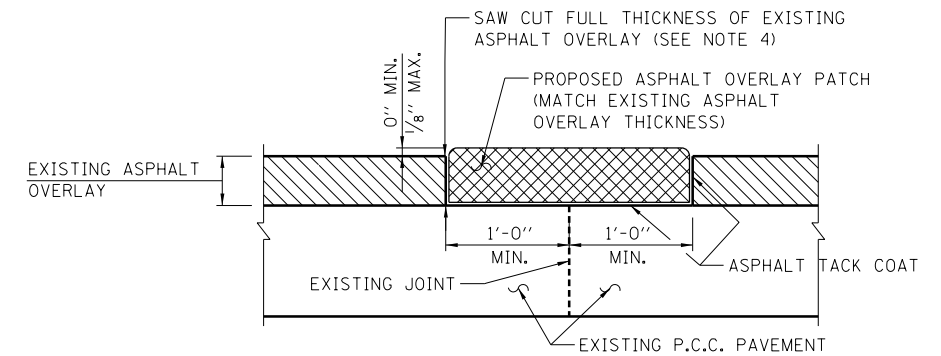
CONCRETE PAVEMENT REPAIR FULL DEPTH

STANDARD A1-04

APPROVED: *Paul Kovacs* CHIEF ENGINEER DATE 5-1-2009



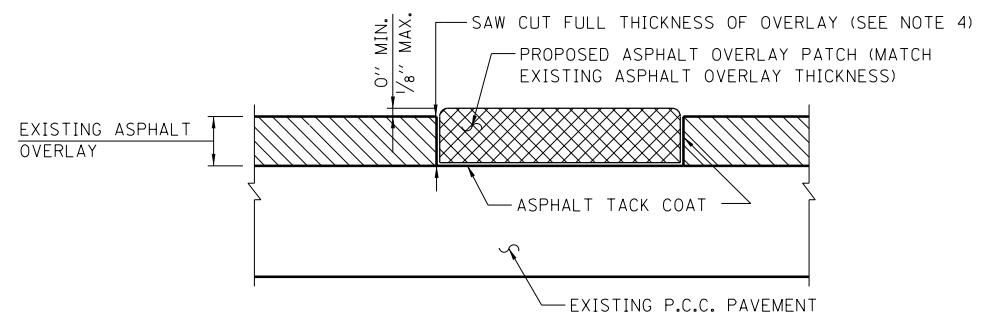
PROPOSED ASPHALT OVERLAY REPAIR
TYPICAL ROADWAY PLAN



SECTION C-C

NOTES: TYPICAL ASPHALT OVERLAY REPAIR

1. MINIMUM DIMENSIONS SHALL BE AS SHOWN IN TYPICAL ROADWAY PLAN.
2. PROPOSED ASPHALT OVERLAY PATCH MATERIAL SHALL BE IN ACCORDANCE WITH ILLINOIS TOLLWAY SPECIAL PROVISION "PARTIAL DEPTH ASPHALT PATCHING OF MAINLINE OVERLAYS".



SECTION A-A & B-B
ASPHALT OVERLAY REPAIR

NOTES: TYPICAL ASPHALT OVERLAY REPAIR

1. LOCATION OF ALL OVERLAY REPAIR AREAS SHALL BE DETERMINED BY THE ENGINEER.
2. MINIMUM DIMENSIONS SHALL BE AS SHOWN IN TYPICAL ROADWAY PLAN.
3. ALL ASPHALT OVERLAY SHALL BE REMOVED TO THE TOP OF THE P.C.C. PAVEMENT.
4. SAWCUT MAY BE ELIMINATED IF MILLING EQUIPMENT IS USED AND VERTICAL AND STRAIGHT SIDES ARE OBTAINED.
5. PROPOSED ASPHALT OVERLAY PATCH MATERIAL SHALL BE IN ACCORDANCE WITH ILLINOIS TOLLWAY SPECIAL PROVISION "PARTIAL DEPTH ASPHALT PATCHING OF MAINLINE OVERLAYS".

LEGEND

- EXISTING OR PROPOSED ASPHALT OVERLAY
- PROPOSED PAVEMENT REPAIR



DATE	REVISIONS
5-01-2009	DELETED DETAIL A AND REVISED NOTES.
1-01-2011	REMOVED PARTIAL DEPTH PC CONCRETE
3-11-2015	REPAIR, ADDED SAW CUT TO CRACK REPAIR.
3-11-2015	REMOVED PARTIAL DEPTH PAVEMENT REPAIR.
3-31-2016	REVISED PRIME COAT TO TACK COAT, ADDED SECTION C-C AND PATCHES ACROSS JOINTS.

ASPHALT OVERLAY REPAIR

STANDARD A2-04

APPROVED: *Paul Kovacs* CHIEF ENGINEER DATE 5-1-2009

RESERVED

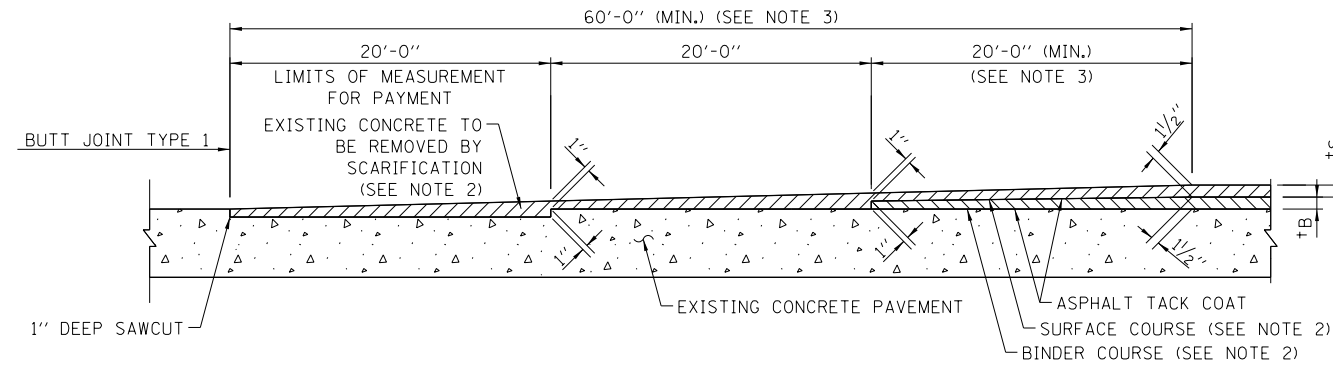
APPROVED CHIEF ENGINEER DATE

DATE	REVISIONS



RESERVED

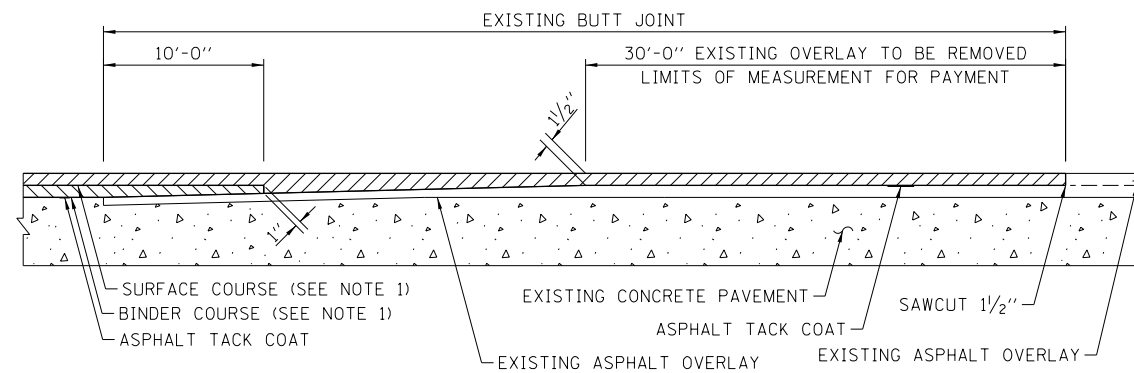
STANDARD A3-00



DETAIL OF BUTT JOINT, TYPE 1

NOTES FOR BUTT JOINT, TYPE 1

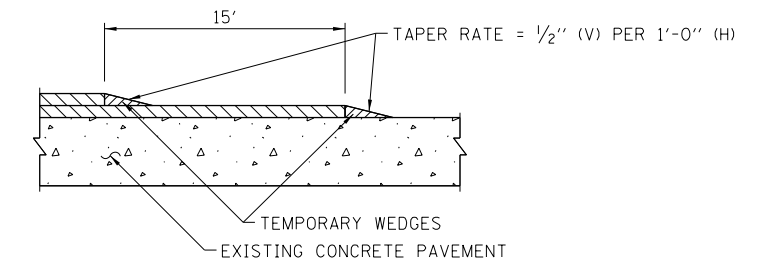
1. THE ABOVE WORK WILL BE PERFORMED AT THE ENDS OF ALL ASPHALT RESURFACING. REMOVAL OF CONCRETE PAVEMENT WILL BE INCLUDED IN CONTRACT UNIT PRICE PER SQUARE YARD FOR "PORTLAND CEMENT CONCRETE SURFACE REMOVAL - BUTT JOINT". ASPHALT OVERLAY TO BE PAID FOR UNDER ITEMS: "ASPHALT BINDER COURSE" AND "ASPHALT SURFACE COURSE", OF THE TYPE SPECIFIED IN THE CONTRACT.
2. ONLY APPROVED SCARIFYING OR MILLING EQUIPMENT SHALL BE USED TO SCARIFY THE CONCRETE PAVEMENT.
3. REGARDLESS OF TYPE OF SURFACE MIX USED, NUMBER OR THICKNESS OF COURSES OR LAYERS, THE OVERLAY THICKNESS TRANSITION LENGTH SHALL BE BASED ON 1" IN 20' AND THE MINIMUM LAYER THICKNESS SHALL BE 1".
4. REFER TO THE CONTRACT DOCUMENTS FOR THE REQUIRED BINDER AND SURFACE COURSE MATERIALS. "t_s" IS THE THICKNESS OF THE SURFACE COURSE SPECIFIED IN THE CONTRACT. "t_B" IS THE THICKNESS OF THE BINDER COURSE SPECIFIED IN THE CONTACT. SEE NOTE 1.



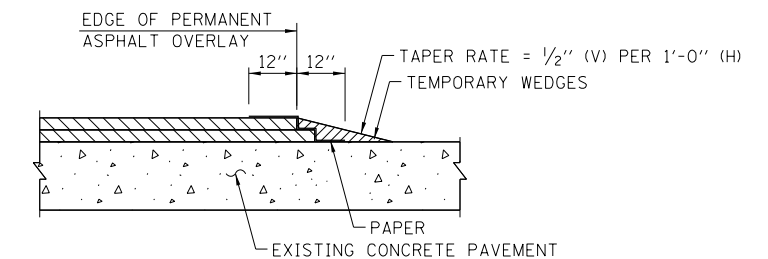
**DETAIL OF BUTT JOINT, TYPE 2
AT EXISTING OVERLAY AREAS**

NOTES FOR BUTT JOINT, TYPE 2

1. THE ABOVE WORK WILL BE PERFORMED AT THE ENDS OF ALL ASPHALT RESURFACING WHERE BUTT JOINTS EXIST. THE REMOVAL OF ASPHALT OVERLAY AND SAWCUT WILL BE INCLUDED IN THE CONTRACT UNIT PRICE PER SQUARE YARD FOR "HOT-MIX ASPHALT SURFACE REMOVAL - BUTT JOINT".
2. ASPHALT OVERLAY TO BE PAID UNDER ITEMS: "ASPHALT BINDER COURSE" AND "ASPHALT SURFACE COURSE", OF THE TYPE SPECIFIED IN THE CONTRACT.
3. REFER TO THE CONTRACT DOCUMENTS FOR THE REQUIRED BINDER AND SURFACE COURSE MATERIALS.
4. SAWCUT MAY BE ELIMINATED IF MILLING EQUIPMENT IS USED AND VERTICAL AND STRAIGHT SIDES ARE OBTAINED.




TEMPORARY ASPHALT WEDGE - TRANSVERSE



TEMPORARY ASPHALT WEDGE - LONGITUDINAL

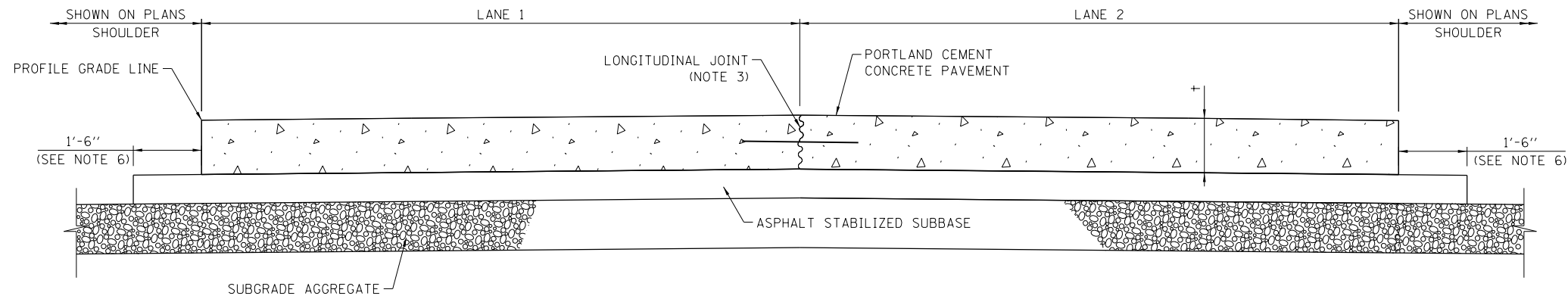
NOTES FOR TEMPORARY ASPHALT WEDGE - LONGITUDINAL

1. UPON REMOVAL OF THE WEDGES, THE SURFACE COURSE SHALL BE SAWCUT PARALLEL TO THE JOINT TO PROVIDE A TRUE VERTICAL SURFACE.
2. REFER TO THE CONTRACT DOCUMENTS FOR THE REQUIRED BINDER AND SURFACE COURSE MATERIALS.


 APPROVED..... CHIEF ENGINEER..... DATE 5-1-2009

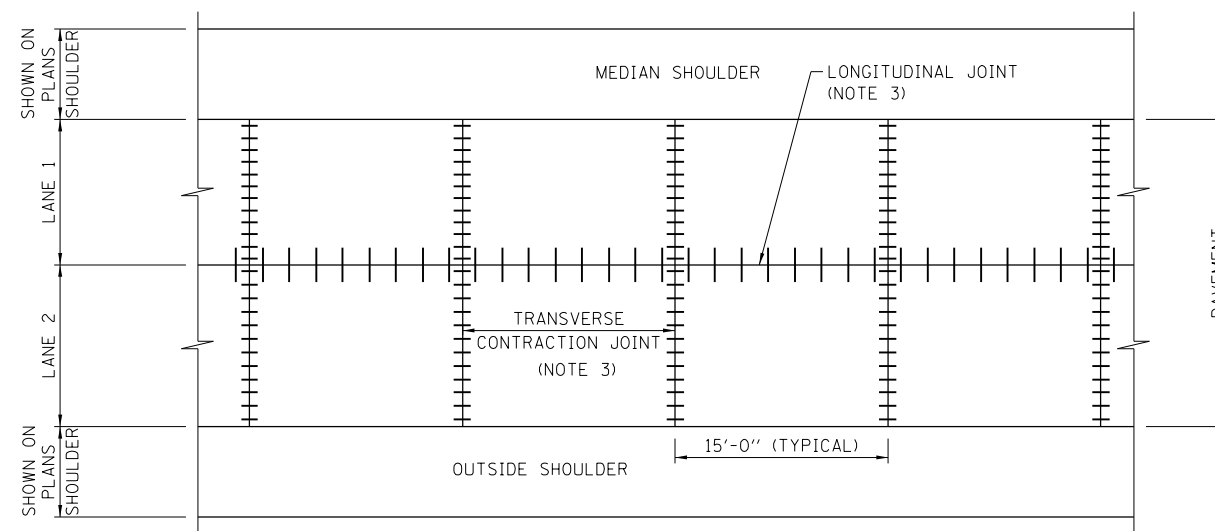
DATE	REVISIONS
5-01-2009	CHANGED WEDGE TAPER RATE NOTATION, REVISED NOTES
3-11-2015	REVISED TEXT AND NOTES
3-31-2016	REVISED PRIME COAT TO TACK COAT AND REVISED NOTES.


**BUTT JOINTS AND
TEMPORARY ASPHALT WEDGE**
 STANDARD A4-03



PAVEMENT CROSS - SECTION (2 LANES)

+ = CONCRETE PAVEMENT THICKNESS



PAVEMENT PLAN
2 - LANE SECTION

GENERAL NOTES:

1. DOWEL BASKET ASSEMBLIES, WHERE USED, SHALL BE SUPPORTED AND ANCHORED IN ACCORDANCE WITH THE STANDARD SPECIFICATIONS.
2. MATERIALS ARE PROJECT SPECIFIC. REFER TO PROJECT PLANS AND CONTRACT DOCUMENTS FOR DETAILS.
3. SEE ILLINOIS TOLLWAY STANDARD DRAWING A7 (PAVEMENT JOINTS) AND IDOT HIGHWAY STANDARD 420001 (PAVEMENT JOINTS) FOR DETAILS OF JOINTS AND TIE BARS NOT SHOWN.
4. PAVEMENT DESIGNS ARE PROJECT SPECIFIC, OTHER MATERIALS MAY BE SUBSTITUTED FOR ASPHALT STABILIZED SUBBASE AND SUBGRADE AGGREGATE. REFER TO PROJECTS PLANS FOR DETAILS AND MATERIAL THICKNESS.
5. THE TIE BAR FOR THE LONGITUDINAL SAWED JOINT SHALL BE 15" FROM THE TRANSVERSE CONTRACTION JOINT.
6. THE 1'-6" WIDE ASPHALT STABILIZED SUBBASE MAY BE REDUCED TO 1'-0" WHEN PAVING EQUIPMENT UTILIZED FOR CONSTRUCTION OF THE PCC PAVEMENT WILL ALLOW.

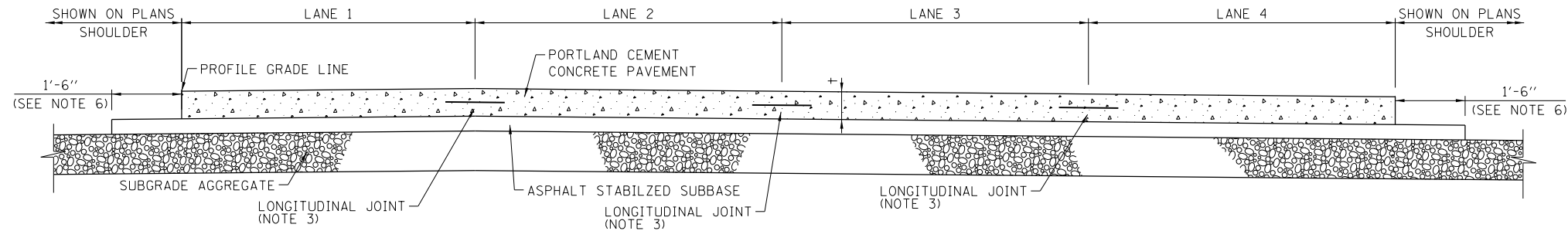


DATE	REVISIONS
05-01-09	DELETED BLOCK-OUTS DETAIL, REMOVED
	SHOULDER DIMENSIONS
3-11-2015	REVISED NOTES
3-31-2016	SHOW SUBBASE WIDENED

J.P.C. PAVEMENT
12" OR LESS

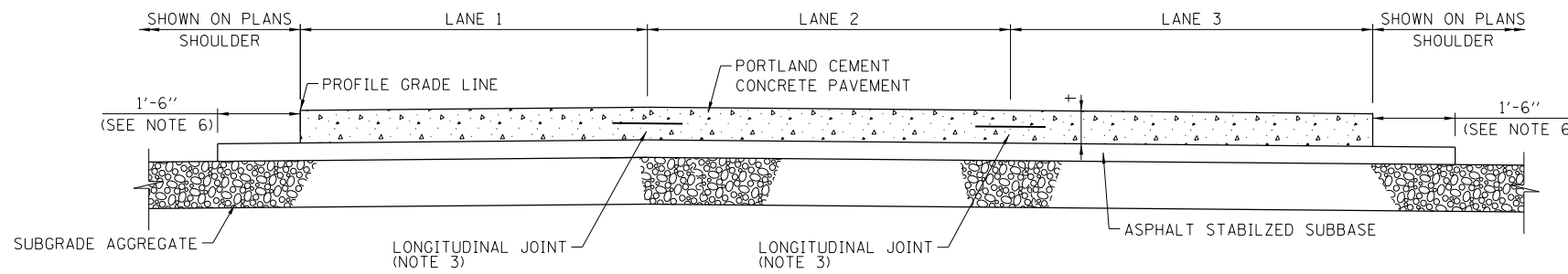
STANDARD A5-03


 APPROVED..... CHIEF ENGINEER DATE 5-1-2009

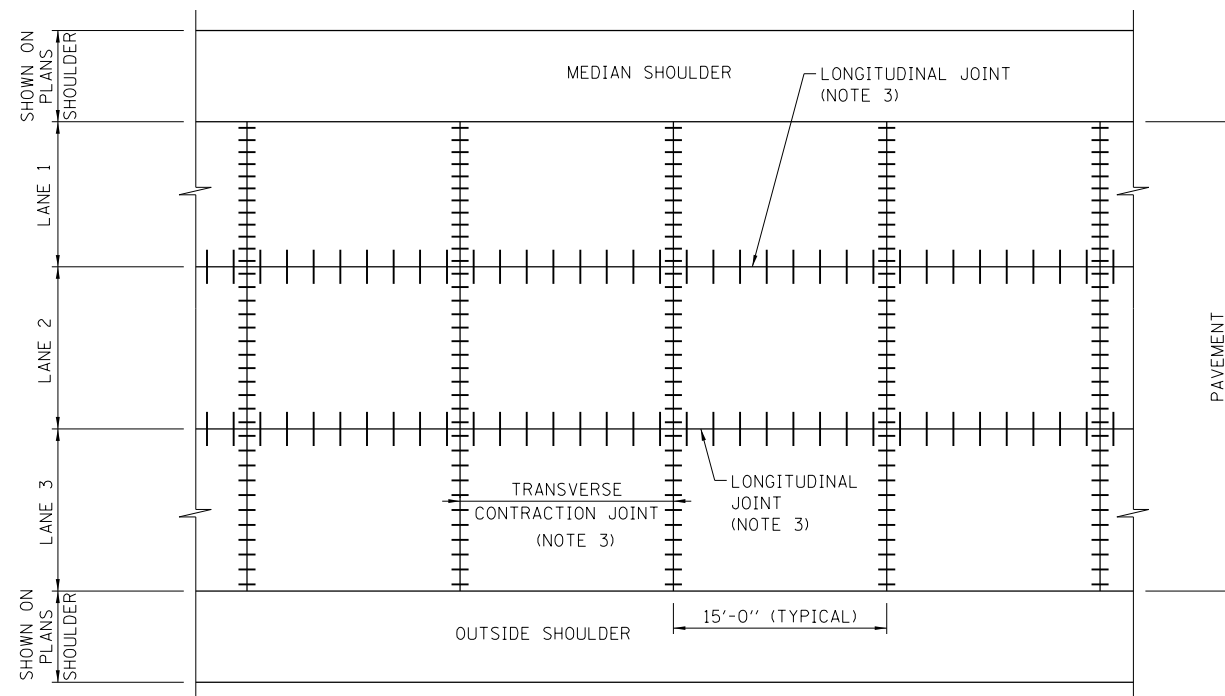


PAVEMENT CROSS - SECTION (4 LANES)

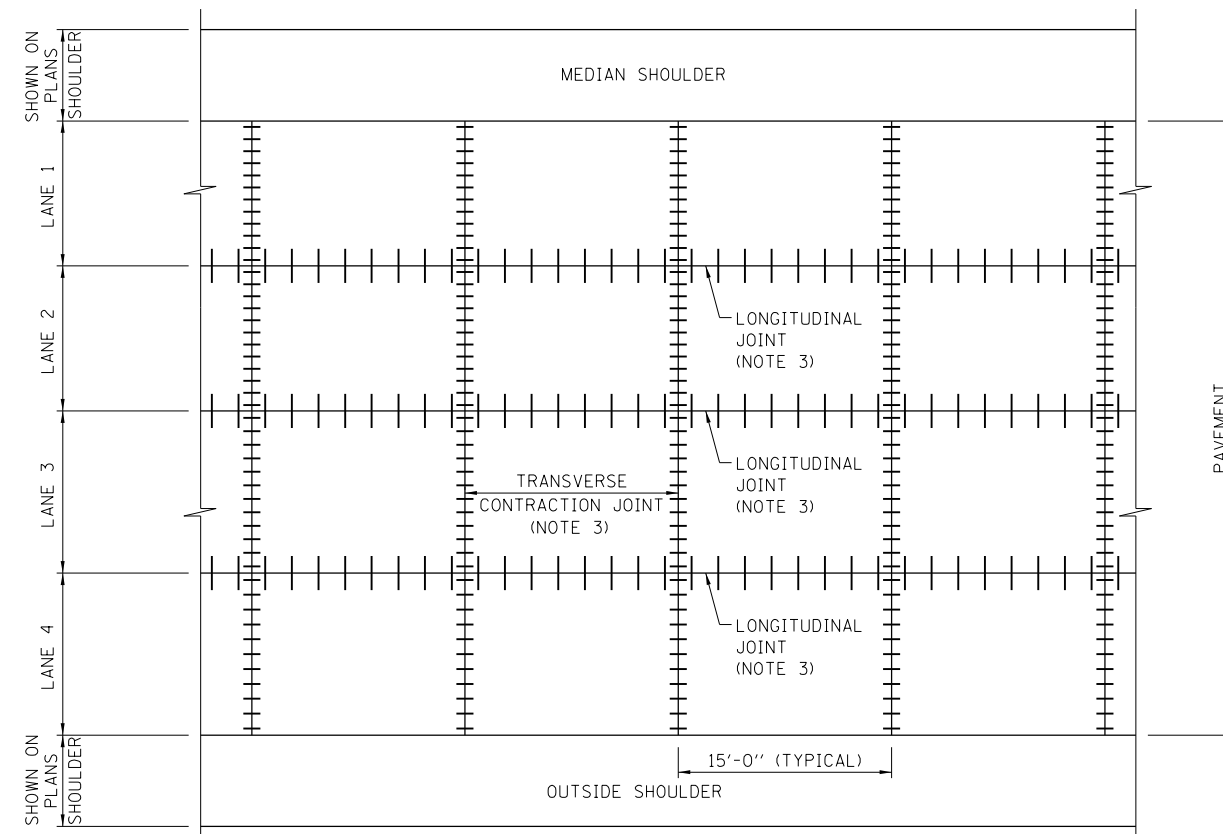
+ = CONCRETE PAVEMENT THICKNESS



PAVEMENT CROSS - SECTION (3 LANES)



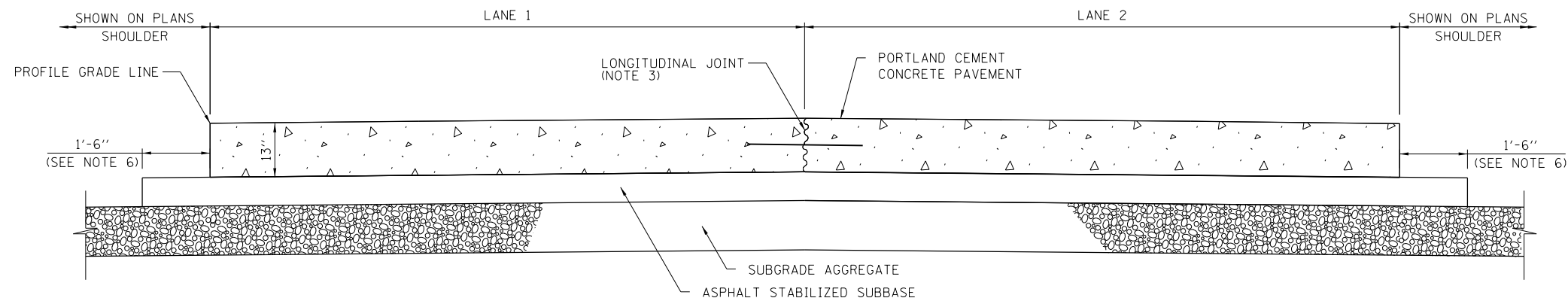
PAVEMENT PLAN
3 - LANE SECTION



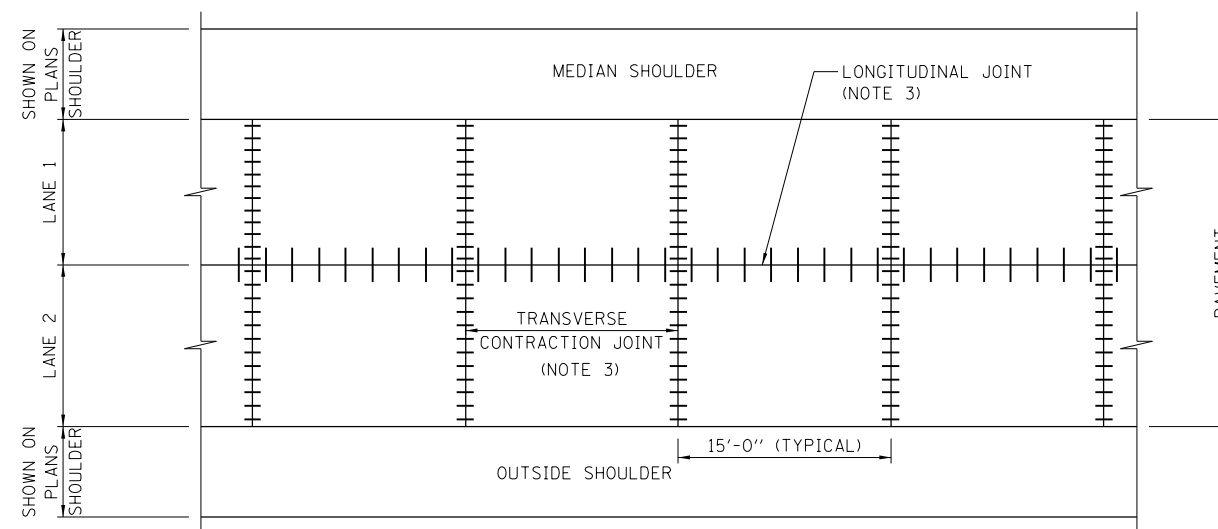
PAVEMENT PLAN
4 - LANE SECTION

SEE SHEET 1 IN THIS SERIES FOR GENERAL NOTES.





PAVEMENT CROSS - SECTION (2 LANES)



PAVEMENT PLAN
2 - LANE SECTION

GENERAL NOTES:

1. DOWEL BASKET ASSEMBLIES, WHERE USED, SHALL BE SUPPORTED AND ANCHORED IN ACCORDANCE WITH THE STANDARD SPECIFICATIONS.
2. MATERIALS ARE PROJECT SPECIFIC. REFER TO PROJECT PLANS AND CONTRACT DOCUMENTS FOR DETAILS.
3. SEE ILLINOIS TOLLWAY STANDARD DRAWING A7 (PAVEMENT JOINTS) AND IDOT HIGHWAY STANDARD 420001 (PAVEMENT JOINTS) FOR DETAILS OF JOINTS AND TIE BARS NOT SHOWN.
4. PAVEMENT DESIGNS ARE PROJECT SPECIFIC. OTHER MATERIALS MAY BE SUBSTITUTED FOR ASPHALT STABILIZED SUBBASE AND SUBGRADE AGGREGATE. REFER TO PROJECTS PLANS FOR DETAILS AND MATERIAL THICKNESS.
5. THE TIE BAR FOR THE LONGITUDINAL SAWED JOINT SHALL BE 15" FROM THE TRANSVERSE CONTRACTION JOINT.
6. THE 1'-6" WIDE ASPHALT STABILIZED SUBBASE MAY BE REDUCED TO 1'-0" WHEN PAVING EQUIPMENT UTILIZED FOR CONSTRUCTION OF THE PCC PAVEMENT WILL ALLOW.

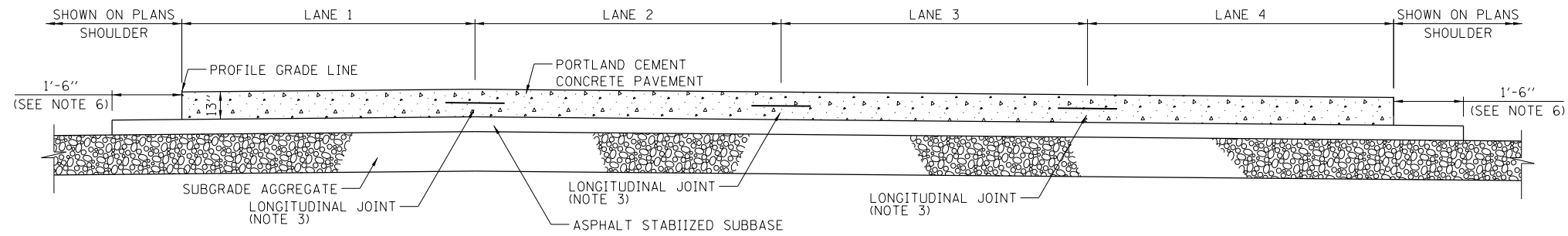


J.P.C. PAVEMENT - 13"

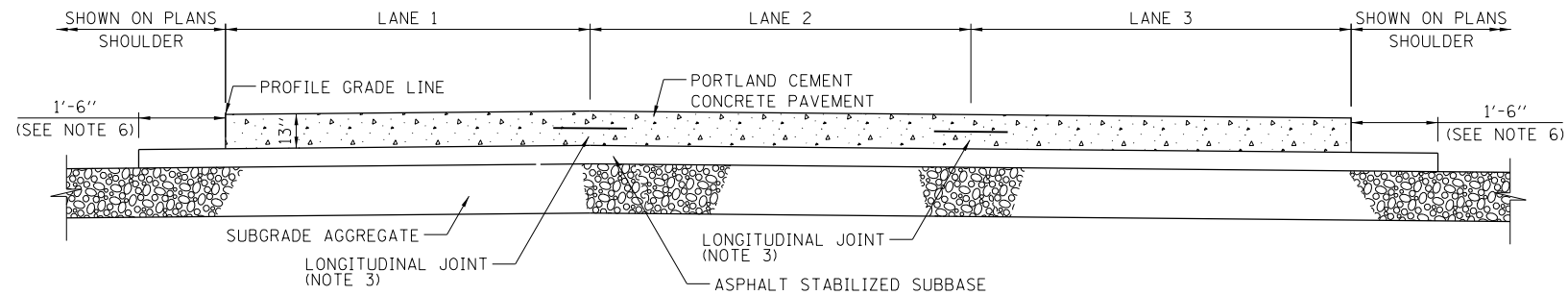
DATE	REVISIONS
5-01-2009	DELETED BLOCK-OUTS DETAIL, REMOVED
	SHOULDER DIMENSIONS
3-11-2015	REVISED NOTES
3-31-2016	SHOW SUBBASE WIDENED

STANDARD A6-03

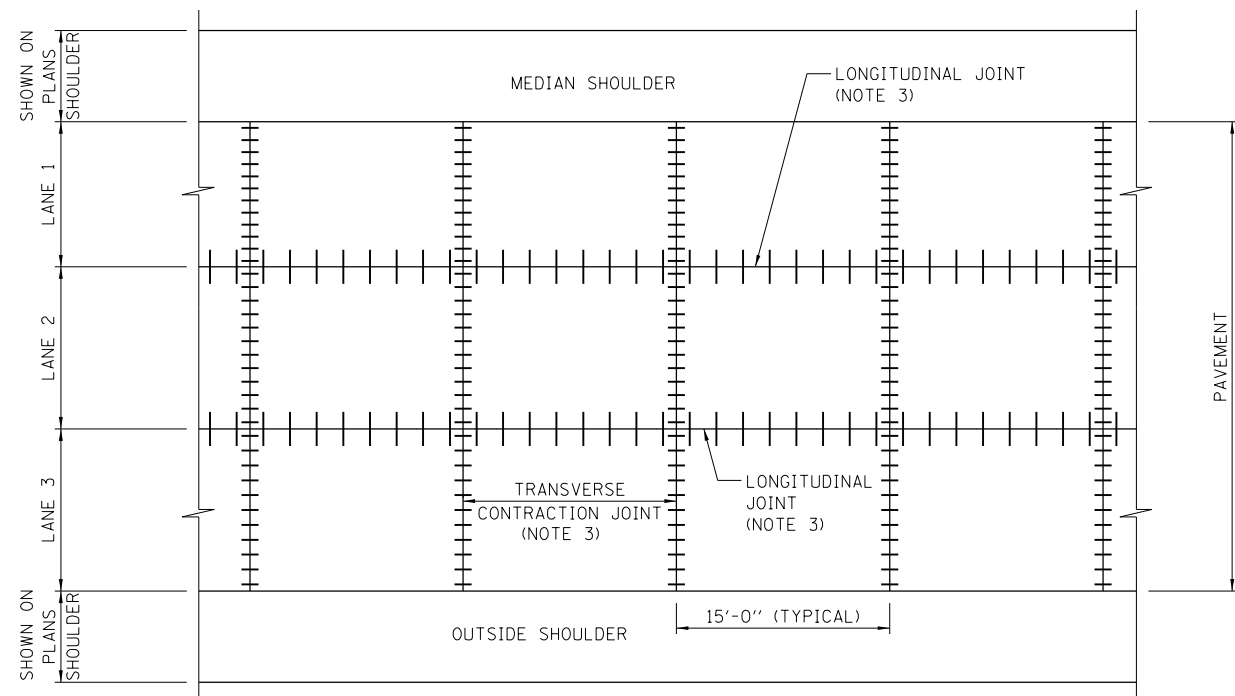
APPROVED *Paul Kovacs* CHIEF ENGINEER DATE 5-1-2009



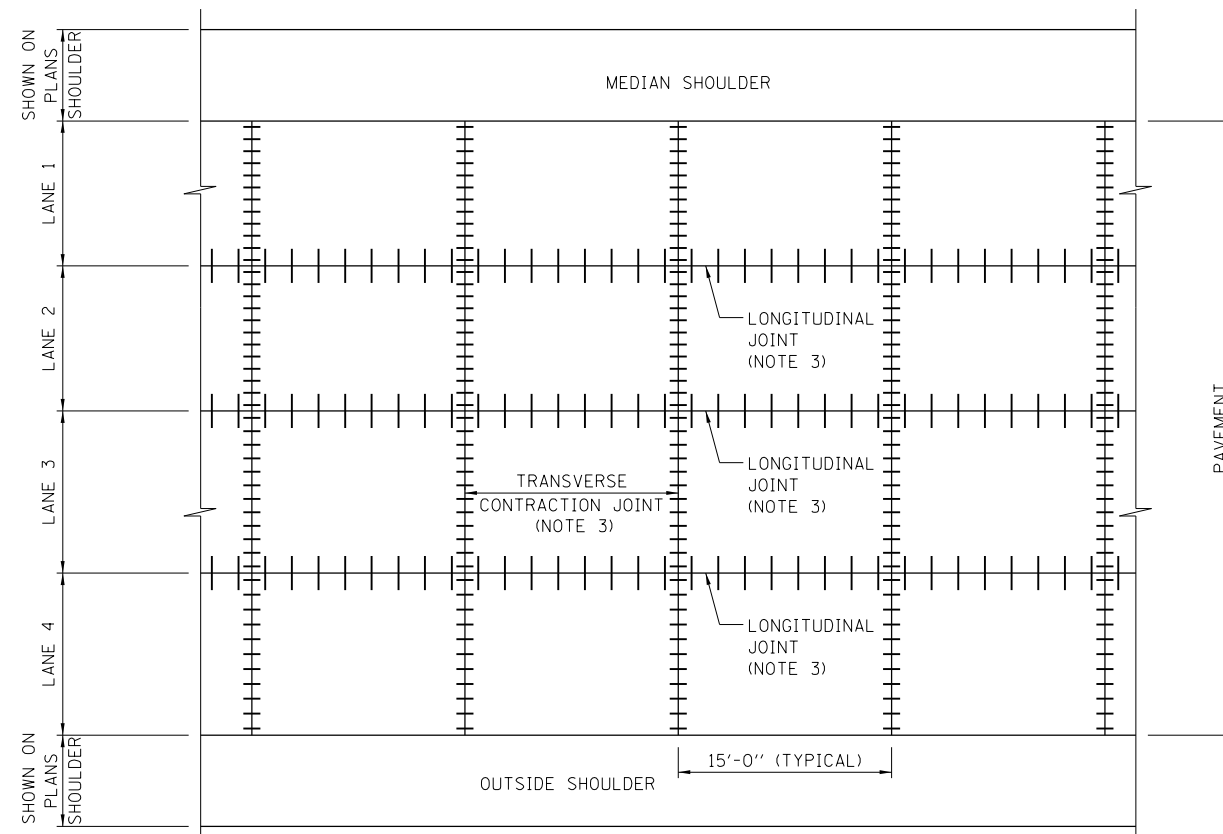
PAVEMENT CROSS - SECTION (4 LANES)



PAVEMENT CROSS - SECTION (3 LANES)



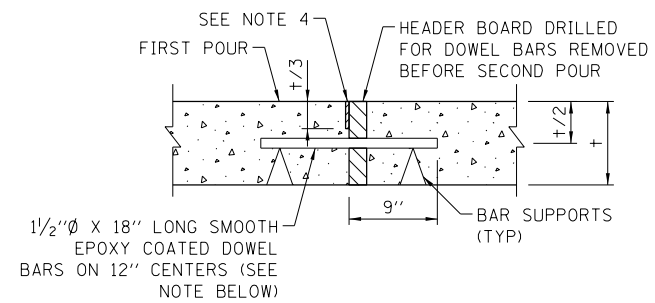
PAVEMENT PLAN 3 - LANE SECTION



PAVEMENT PLAN 4 - LANE SECTION

SEE SHEET 1 IN THIS SERIES FOR GENERAL NOTES.





NOTE: FOR 13" PAVEMENT USE THE FOLLOWING
 1-1/2"Ø X 18" LONG SMOOTH EPOXY COATED DOWEL BARS ON 9" CENTERS OR
 1-3/4"Ø X 18" LONG SMOOTH EPOXY COATED DOWEL BARS ON 12" CENTERS

TRANSVERSE CONSTRUCTION JOINT
(JOINTED PLAIN CONCRETE PAVEMENT)

GENERAL NOTES:

1. DOWEL BAR CAPS SHALL BE PLACED ON OPPOSITE END OF ADJACENT DOWEL BARS.
2. ALL DIMENSIONS ARE IN INCHES UNLESS OTHERWISE SHOWN.
3. + = PAVEMENT THICKNESS
4. A 3/8" SAW CUT SHALL BE PROVIDED FOR PAVEMENT CRACK CONTROL.



DATE	REVISIONS
05-01-09	MODIFIED JOINT DETAIL, REVISED NOTES
03-31-16	REVISED 13" PAVEMENT NOTE FOR DOWEL BARS

PAVEMENT JOINTS

STANDARD A7-02

Paul Kovacs
 APPROVED..... CHIEF ENGINEER DATE 5-1-2009

RESERVED

APPROVED CHIEF ENGINEER DATE

DATE	REVISIONS



RESERVED

STANDARD A8-00

RESERVED

APPROVED CHIEF ENGINEER DATE

DATE	REVISIONS



RESERVED

STANDARD A9-00

RESERVED

APPROVED CHIEF ENGINEER DATE

DATE	REVISIONS



RESERVED

STANDARD A10-00

RESERVED

APPROVED CHIEF ENGINEER DATE

DATE	REVISIONS



RESERVED

STANDARD A11-00

RESERVED

APPROVED CHIEF ENGINEER DATE

DATE	REVISIONS



RESERVED

STANDARD A12-00

RESERVED

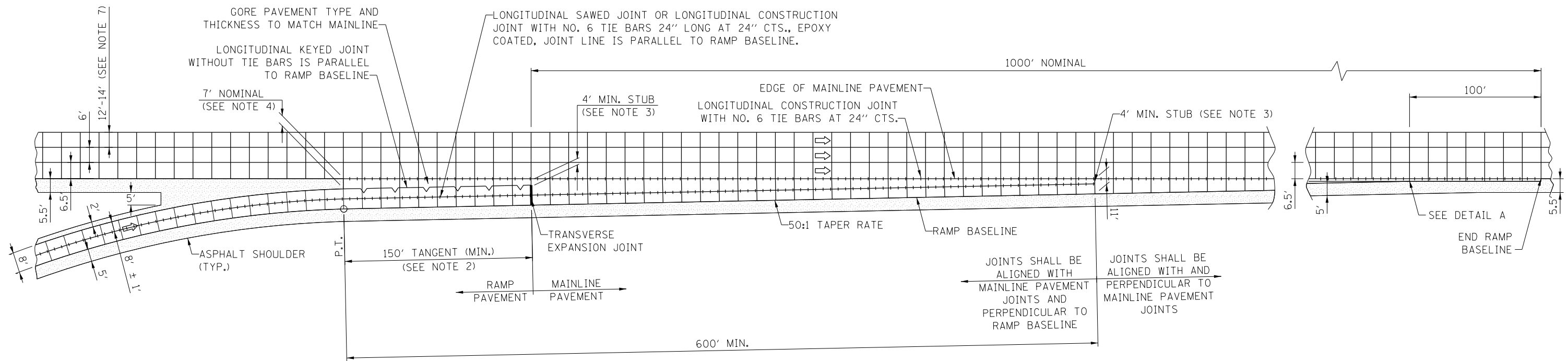
APPROVED CHIEF ENGINEER DATE

DATE	REVISIONS



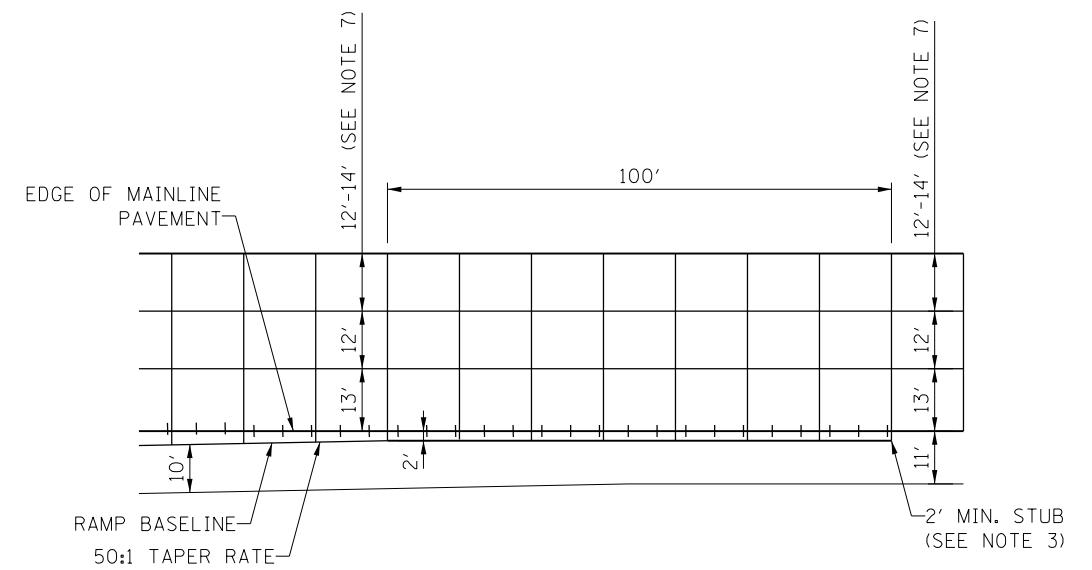
RESERVED

STANDARD A13-00



NOTES:

1. ALL PAVEMENT JOINTS SHALL BE DETAILED AS SHOWN ON ILLINOIS TOLLWAY STANDARD DRAWING A7 AND IDOT HIGHWAY STANDARD 420001, EXCEPT EXPANSION JOINT SEALS SHALL BE AS DESCRIBED IN THE SPECIAL PROVISION, BONDED PREFORMED JOINT SEAL.
2. THE THICKNESS OF THE JOINTED RAMP PAVEMENT IN THE TANGENT AREA SHALL MATCH THE MAINLINE PAVEMENT. THE EXTRA THICKNESS OF PAVEMENT SHALL BE INCLUDED IN THE PRICE FOR THE RAMP PAVEMENT.
3. STUBS SHALL BE THE MINIMUM DIMENSION AS SHOWN AND ALIGNED WITH A MAINLINE TRANSVERSE JOINT.
4. 7' NOSE LOCATION SHALL BE ADJUSTED TO BE ALIGNED WITH A MAINLINE TRANSVERSE JOINT.
5. TYPICAL PCC PAVEMENT JOINT SPACING SHALL BE 15'.
6. AS ADDITIONAL RAMP LANES ARE ADDED, THE MAXIMUM JOINT SPACING SHALL BE 15' LONG BY 15' WIDE. TYPICAL SPACING IS 15' LONG BY 12' WIDE. LONGITUDINAL JOINT LOCATION IN THE WHEEL PATH SHALL BE MINIMIZED.
7. DIMENSION OF LANE 1 SHALL BE AS SHOWN ON THE PLANS.



DETAIL A

JOINTED PCC RAMP ADJACENT TO JOINTED PCC MAINLINE PAVEMENT

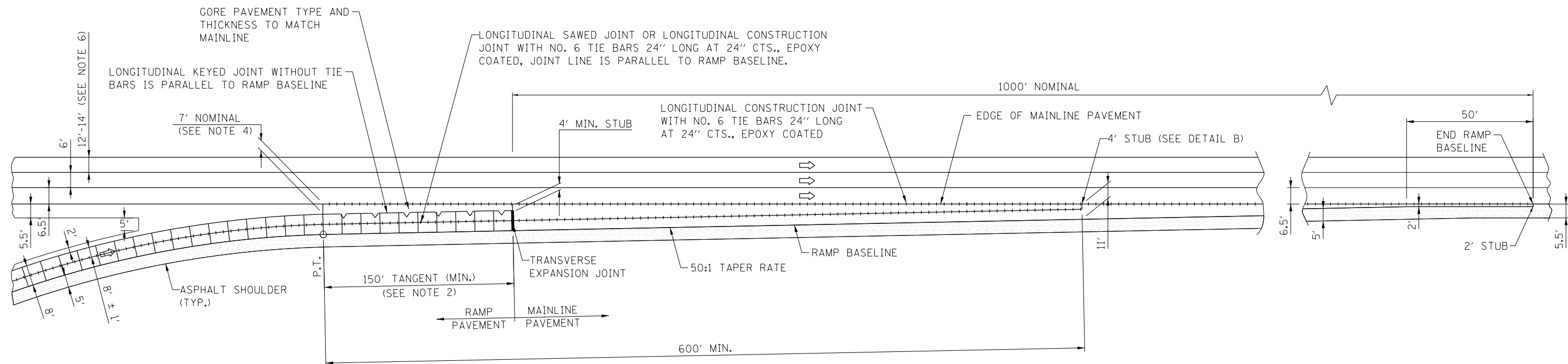


DATE	REVISIONS
3-11-2015	MODIFIED JOINT SPACING.
3-31-2016	UPDATED NOTES AND CALL-OUTS.

JOINTING PLAN
ENTRANCE RAMP TERMINAL

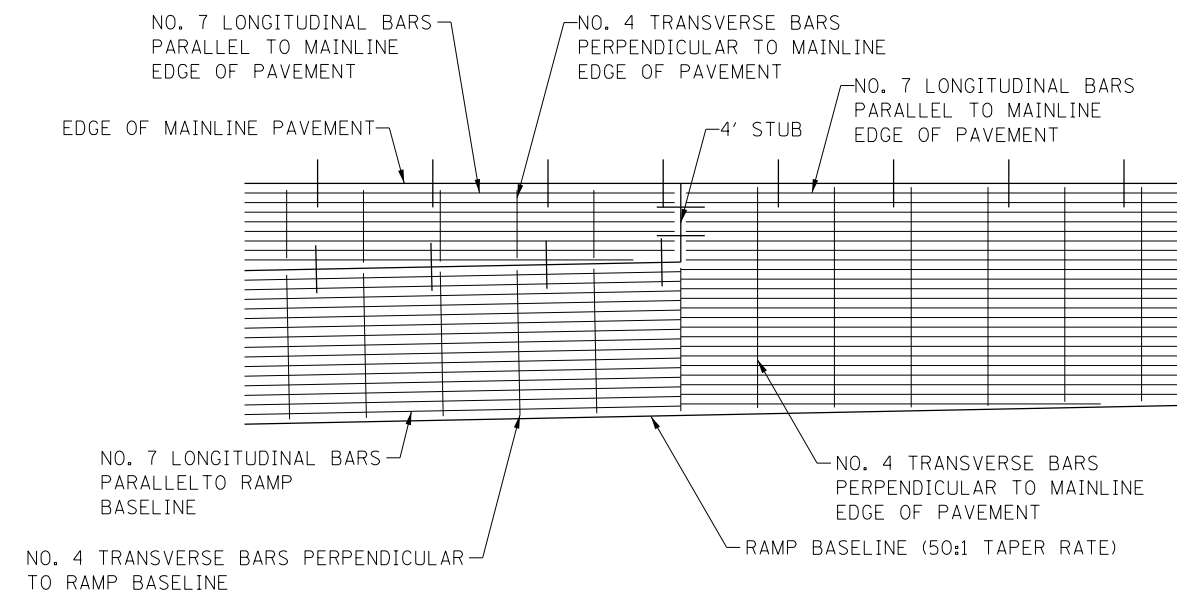
STANDARD A14-02

APPROVED: *Paul Kovacs*
CHIEF ENGINEER DATE: 1-31-2015



NOTES:

1. ALL PAVEMENT JOINTS SHALL BE DETAILED AS SHOWN ON ILLINOIS TOLLWAY STANDARD DRAWING A7 AND IDOT HIGHWAY STANDARD 420001, EXCEPT EXPANSION JOINT SEALS SHALL BE AS DESCRIBED IN THE SPECIAL PROVISION, BONDED PREFORMED JOINT SEAL.
2. THE THICKNESS OF THE JOINTED RAMP PAVEMENT IN THE TANGENT AREA SHALL MATCH THE MAINLINE PAVEMENT. THE EXTRA THICKNESS OF PAVEMENT SHALL BE INCLUDED IN THE PRICE FOR THE RAMP PAVEMENT.
3. SEE PROJECT PLANS AND CONTRACT DOCUMENTS FOR DETAILS OF PAVEMENT REINFORCEMENT.
4. TYPICAL PCC PAVEMENT JOINT SPACING SHALL BE 15'.
5. AS ADDITIONAL RAMP LANES ARE ADDED, THE MAXIMUM JOINT SPACING SHALL BE 15' LONG BY 15' WIDE. TYPICAL JOINT SPACING IS 15' LONG BY 12' WIDE. LONGITUDINAL JOINT LOCATIONS IN THE WHEEL PATH SHALL BE MINIMIZED.
6. DIMENSIONS OF LANE 1 SHALL BE AS SHOWN ON THE PLANS.

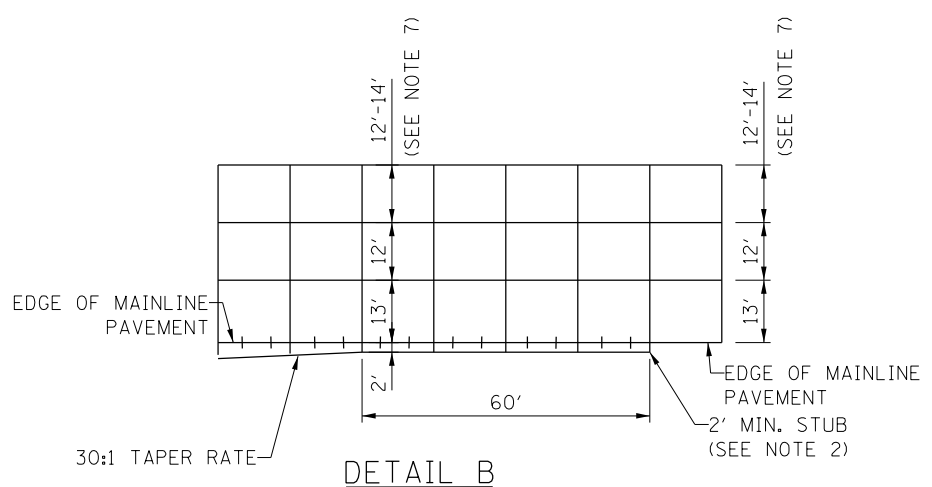
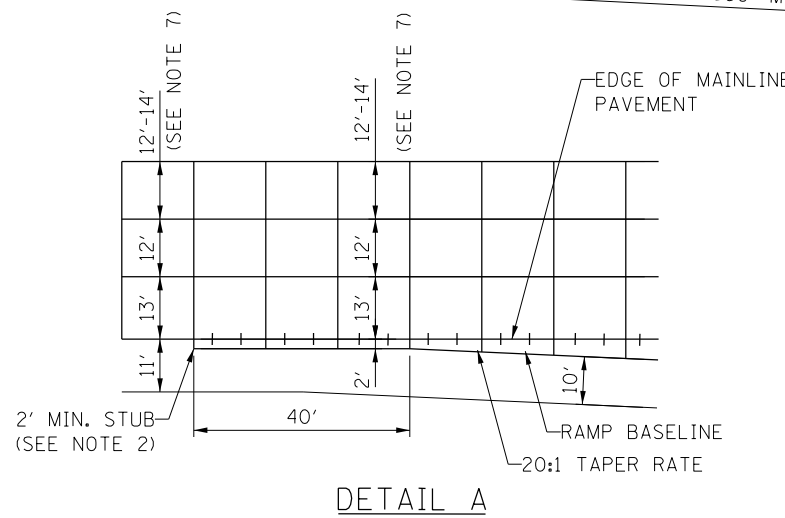
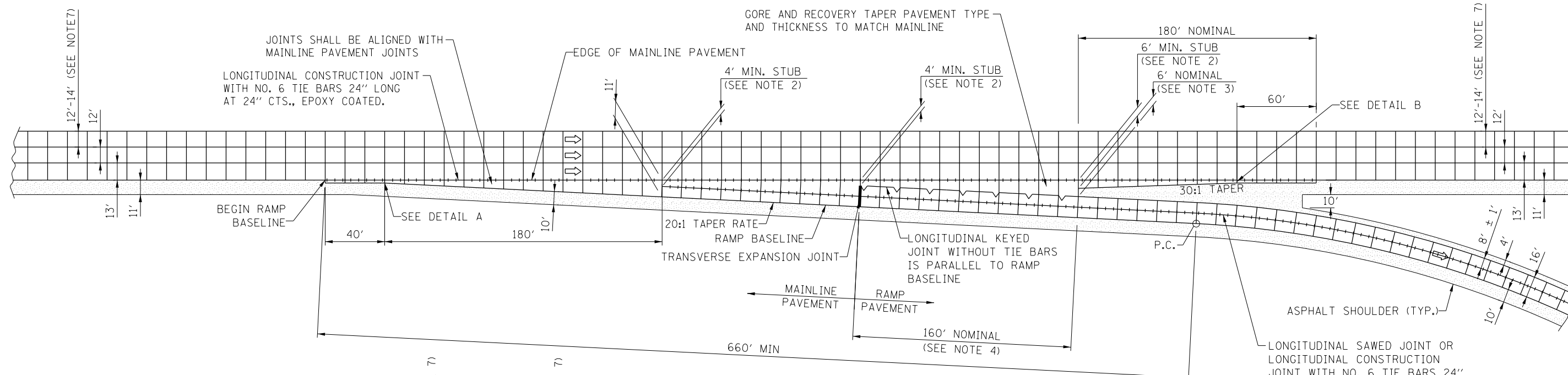


DETAIL B



JOINTED PCC RAMP ADJACENT TO JOINTED C.R.C. MAINLINE PAVEMENT

APPROVED: *Paul Kovacs* CHIEF ENGINEER DATE: 1-31-2015



NOTES:

1. ALL PAVEMENT JOINTS SHALL BE DETAILED AS SHOWN ON ILLINOIS TOLLWAY STANDARD DRAWING A7 AND IDOT HIGHWAY STANDARD 420001, EXCEPT EXPANSION JOINT SEALS SHALL BE AS DESCRIBED IN THE SPECIAL PROVISION, BONDED PREFORMED JOINT SEAL.
2. STUBS SHALL BE THE MINIMUM DIMENSION AS SHOWN AND ALIGNED WITH A MAINLINE TRANSVERSE JOINT.
3. 6' NOSE LOCATION SHALL BE ADJUSTED TO BE ALIGNED WITH A MAINLINE TRANSVERSE JOINT.
4. THE THICKNESS OF THE JOINTED RAMP PAVEMENT IN THE TANGENT AREA SHALL MATCH THE MAINLINE PAVEMENT. THE EXTRA THICKNESS OF PAVEMENT SHALL BE INCLUDED IN THE PRICE FOR THE RAMP PAVEMENT.
5. TYPICAL P.C.C. PAVEMENT JOINT SPACING SHALL BE 15'.
6. AS ADDITIONAL RAMP LANES ARE ADDED, THE MAXIMUM JOINT SPACING SHALL BE 15' LONG BY 15' WIDE. TYPICAL SPACING IS 15' LONG BY 12' WIDE. LONGITUDINAL JOINT LOCATIONS IN THE WHEEL PATH SHALL BE MINIMIZED.
7. DIMENSIONS OF LANE 1 SHALL BE AS SHOWN ON THE PLANS.



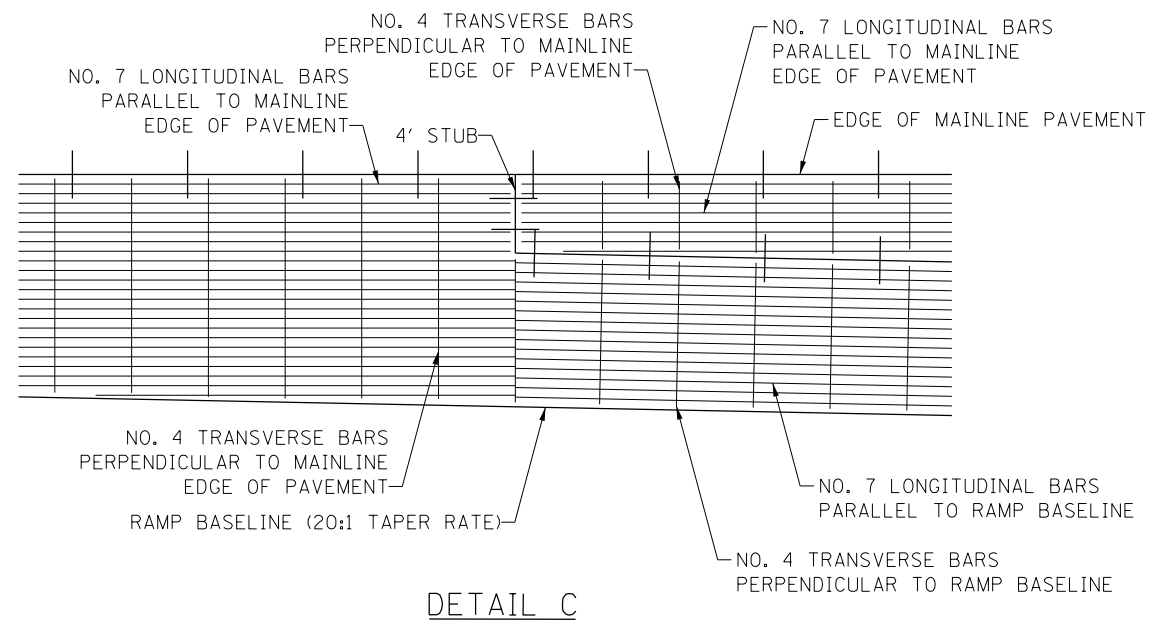
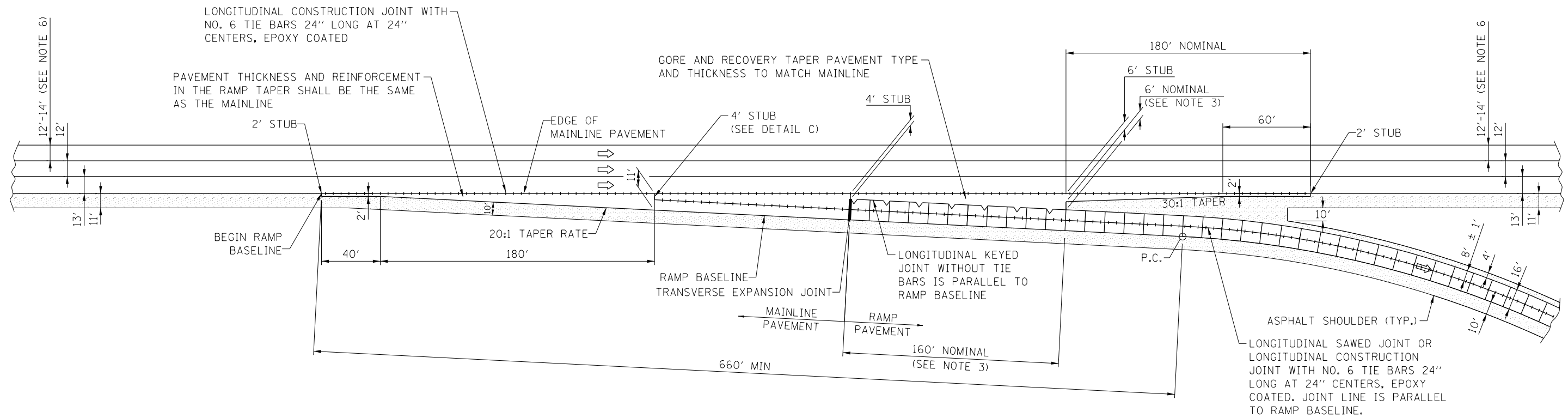
DATE	REVISIONS
3-11-2015	MODIFIED JOINT SPACING.
3-31-2016	UPDATED NOTES AND CALL-OUTS.

JOINTING PLAN
EXIT RAMP TERMINAL

STANDARD A15-02

APPROVED: *Paul Kovacs*
CHIEF ENGINEER DATE: 1-31-2015

JOINTED PCC RAMP ADJACENT TO JOINTED PCC MAINLINE PAVEMENT



NOTES:

1. ALL PAVEMENT JOINTS SHALL BE DETAILED AS SHOWN ON ILLINOIS TOLLWAY STANDARD DRAWING A7 AND IDOT HIGHWAY STANDARD 420001, EXCEPT EXPANSION JOINT SEALS SHALL BE AS DESCRIBED IN THE SPECIAL PROVISION, BONDED PREFORMED JOINT SEAL.
2. SEE PROJECT PLANS AND CONTRACT DOCUMENTS FOR DETAILS OF PAVEMENT REINFORCEMENT.
3. THE THICKNESS OF THE JOINTED RAMP PAVEMENT IN THE TANGENT AREA SHALL MATCH THE MAINLINE PAVEMENT. THE EXTRA THICKNESS OF PAVEMENT SHALL BE INCLUDED IN THE PRICE FOR THE RAMP PAVEMENT.
4. TYPICAL P.C.C. PAVEMENT JOINT SPACING SHALL BE 15'.
5. AS ADDITIONAL RAMP LANES ARE ADDED, THE MAXIMUM JOINT SPACING SHALL BE 15' LONG BY 15' WIDE. TYPICAL SPACING IS 15' LONG BY 12' WIDE. LONGITUDINAL JOINT LOCATIONS IN THE WHEEL PATH SHALL BE MINIMIZED.
6. DIMENSIONS OF LANE 1 SHALL BE AS SHOWN ON THE PLANS.



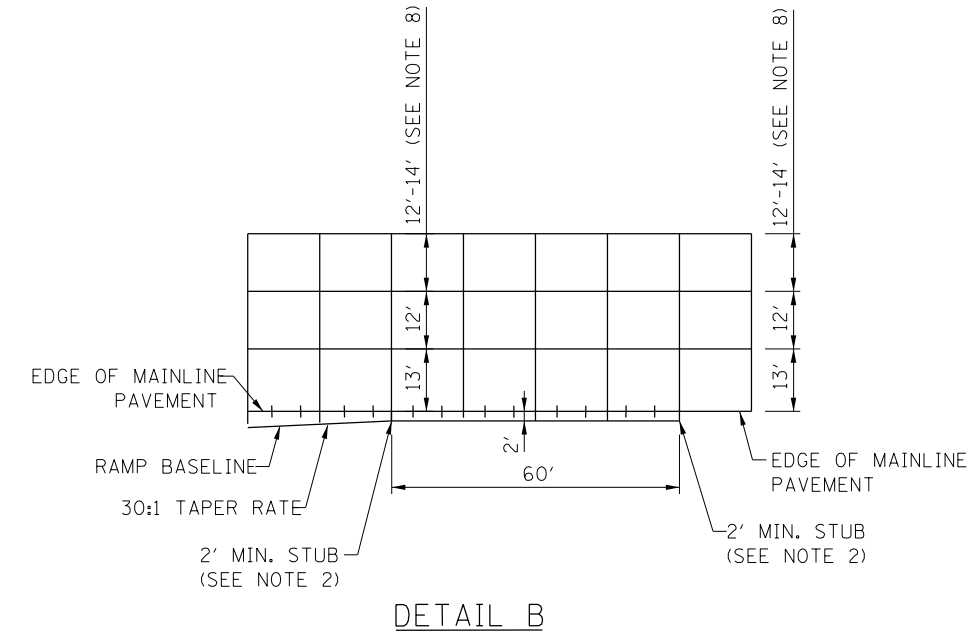
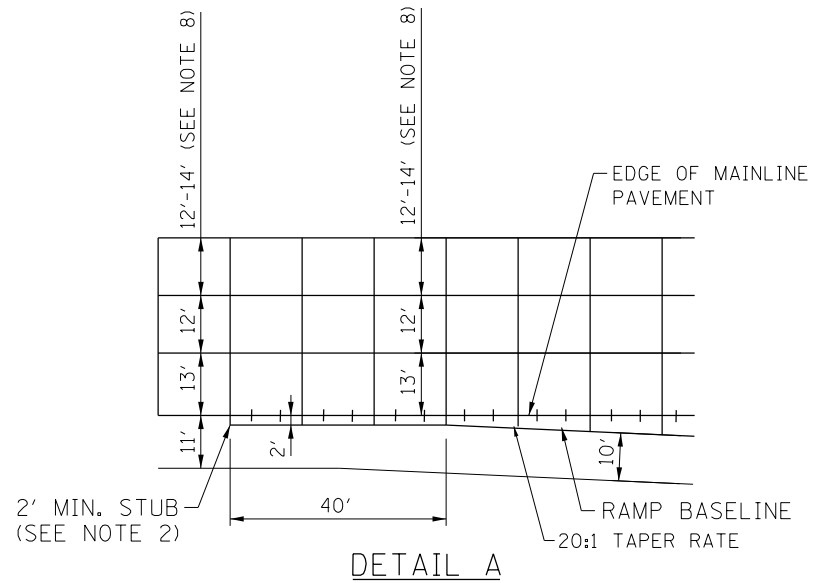
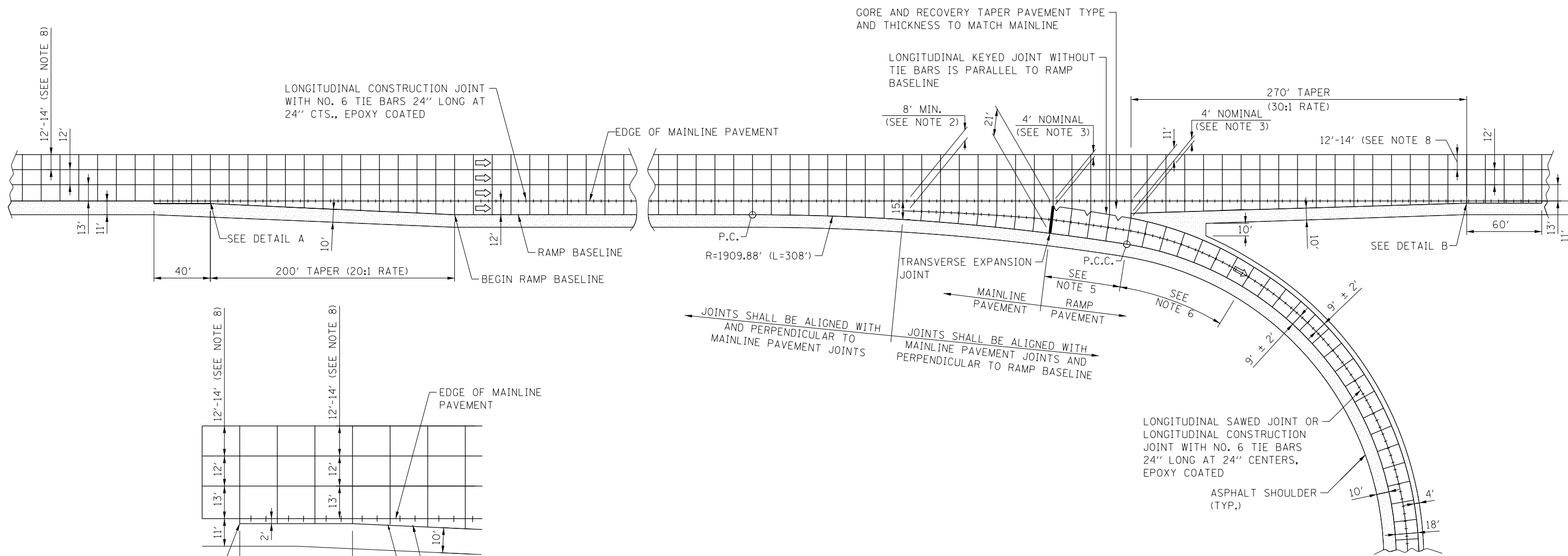
JOINTING PLAN
EXIT RAMP TERMINAL

STANDARD A15-02

Paul Kovacs

APPROVED..... CHIEF ENGINEER..... DATE 1-31-2015

JOINTED PCC RAMP ADJACENT TO C.R.C. MAINLINE PAVEMENT



- NOTES:**
1. ALL PAVEMENT JOINTS SHALL BE DETAILED AS SHOWN ON ILLINOIS TOLLWAY STANDARD DRAWING A7 AND IDOT HIGHWAY STANDARD 420001, EXCEPT EXPANSION JOINT SEALS SHALL BE AS DESCRIBED IN THE SPECIAL PROVISION, BONDED PREFORMED JOINT SEAL.
 2. STUBS SHALL BE THE MINIMUM DIMENSION AS SHOWN AND ALIGNED WITH A MAINLINE TRANSVERSE JOINT.
 3. 4' NOSE LOCATION SHALL BE ADJUSTED TO BE ALIGNED WITH A MAINLINE TRANSVERSE JOINT.
 4. TYPICAL P.C.C. PAVEMENT JOINT SPACING SHALL BE 15'.
 5. THE THICKNESS OF THE JOINTED RAMP PAVEMENT SHALL MATCH THE MAINLINE PAVEMENT. THE EXTRA THICKNESS OF PAVEMENT SHALL BE INCLUDED IN THE PRICE FOR THE RAMP PAVEMENT.
 6. RAMP NARROWS FROM 21' TO 18'.
 7. AS ADDITIONAL RAMP LANES ARE ADDED, THE MAXIMUM JOINT SPACING SHALL BE 15' LONG BY 15' WIDE. TYPICAL SPACING IS 15' LONG BY 12' WIDE. LONGITUDINAL JOINT LOCATIONS IN THE WHEEL PATH SHALL BE MINIMIZED.
 8. DIMENSION OF LANE 1 SHALL BE AS SHOWN ON THE PLANS.

APPROVED: *Paul Kovacs*
 CHIEF ENGINEER DATE: 1-31-2015

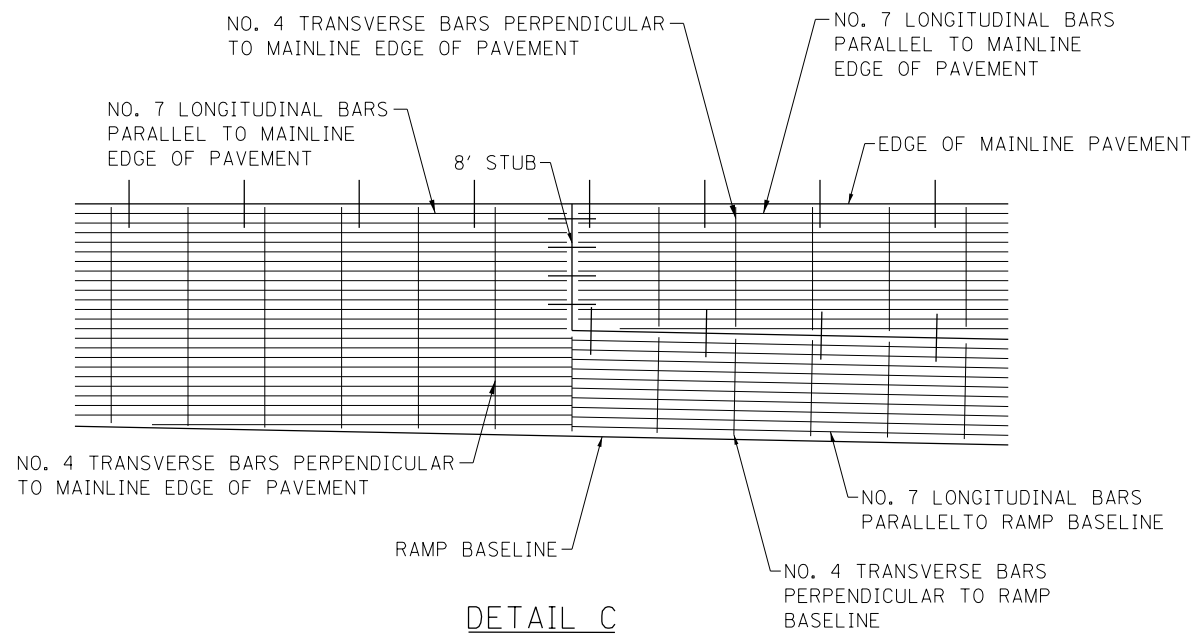
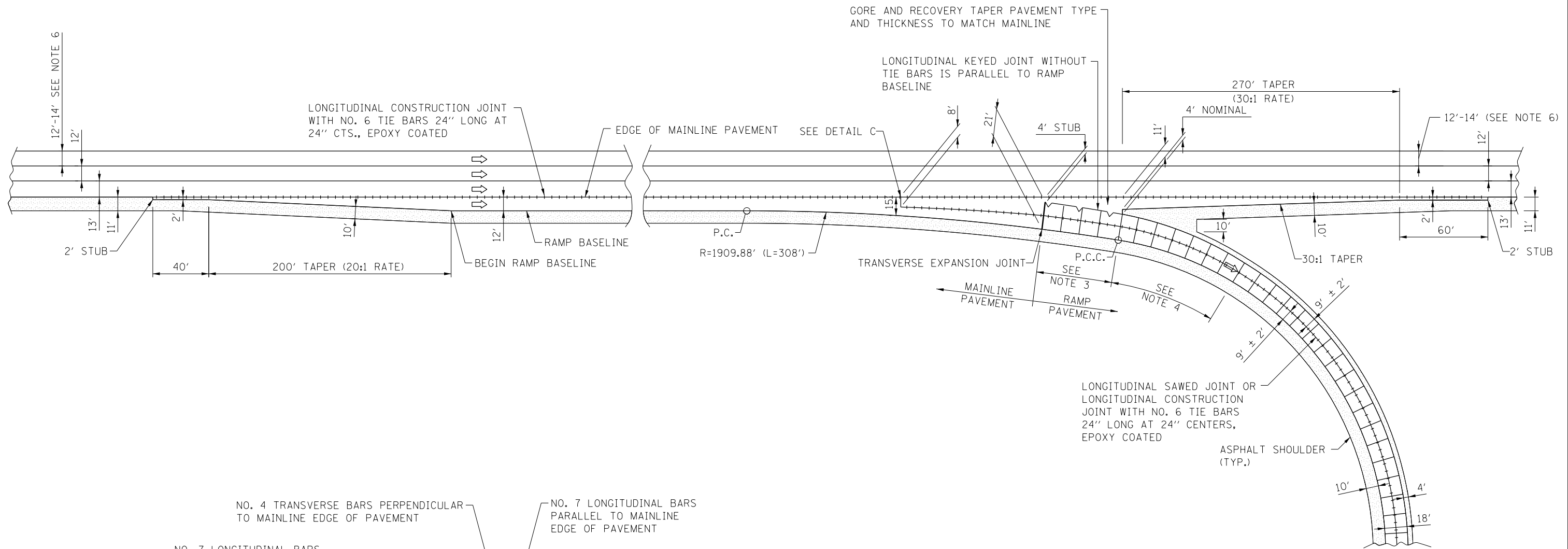
JOINTED PCC RAMP ADJACENT TO JOINTED PCC MAINLINE PAVEMENT

DATE	REVISIONS
3-11-2015	MODIFIED JOINT SPACING
3-31-2016	UPDATED NOTES & CALL-OUTS

JOINTING PLAN
PARALLEL EXIT RAMP TERMINAL

STANDARD A16-02





NOTES:

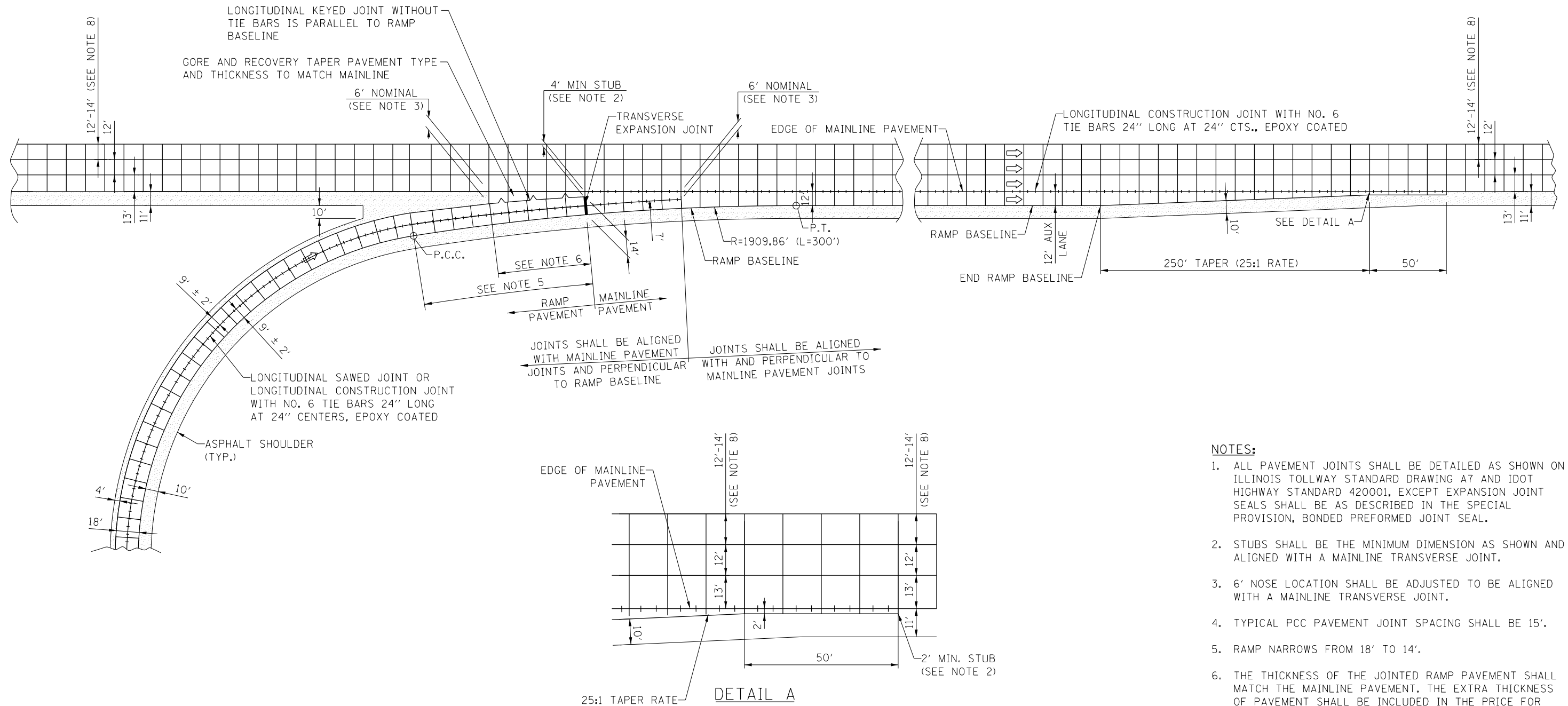
1. ALL PAVEMENT JOINTS SHALL BE DETAILED AS SHOWN ON ILLINOIS TOLLWAY STANDARD DRAWING A7 AND IDOT HIGHWAY STANDARD 420001, EXCEPT EXPANSION JOINT SEALS SHALL BE AS DESCRIBED IN THE SPECIAL PROVISION, BONDED PREFORMED JOINT SEAL.
2. TYPICAL P.C.C. PAVEMENT JOINT SPACING SHALL BE 15'.
3. THE THICKNESS OF THE JOINTED RAMP PAVEMENT SHALL MATCH THE MAINLINE PAVEMENT. THE EXTRA THICKNESS OF PAVEMENT SHALL BE INCLUDED IN THE PRICE FOR THE RAMP PAVEMENT.
4. RAMP NARROWS FROM 21' TO 18'.
5. AS ADDITIONAL RAMP LANES ARE ADDED, THE MAXIMUM JOINT SPACING SHALL BE 15' LONG BY 15' WIDE. TYPICAL SPACING IS 15' LONG BY 12' WIDE. LONGITUDINAL JOINT LOCATIONS IN THE WHEEL PATH SHALL BE MINIMIZED.
6. DIMENSION OF LANE 1 SHALL BE AS SHOWN ON THE PLANS.
7. SEE PROJECT PLANS AND CONTRACT DOCUMENTS FOR DETAILS OF PAVEMENT REINFORCEMENT.




Paul Kovacs

APPROVED..... CHIEF ENGINEER..... DATE 1-31-2015

JOINTED PCC RAMP ADJACENT TO C.R.C. MAINLINE PAVEMENT



- NOTES:**
1. ALL PAVEMENT JOINTS SHALL BE DETAILED AS SHOWN ON ILLINOIS TOLLWAY STANDARD DRAWING A7 AND IDOT HIGHWAY STANDARD 420001, EXCEPT EXPANSION JOINT SEALS SHALL BE AS DESCRIBED IN THE SPECIAL PROVISION, BONDED PREFORMED JOINT SEAL.
 2. STUBS SHALL BE THE MINIMUM DIMENSION AS SHOWN AND ALIGNED WITH A MAINLINE TRANSVERSE JOINT.
 3. 6' NOSE LOCATION SHALL BE ADJUSTED TO BE ALIGNED WITH A MAINLINE TRANSVERSE JOINT.
 4. TYPICAL PCC PAVEMENT JOINT SPACING SHALL BE 15'.
 5. RAMP NARROWS FROM 18' TO 14'.
 6. THE THICKNESS OF THE JOINTED RAMP PAVEMENT SHALL MATCH THE MAINLINE PAVEMENT. THE EXTRA THICKNESS OF PAVEMENT SHALL BE INCLUDED IN THE PRICE FOR THE RAMP PAVEMENT.
 7. AS ADDITIONAL RAMP LANES ARE ADDED, THE MAXIMUM JOINT SPACING SHALL BE 15' LONG BY 15' WIDE. TYPICAL SPACING IS 15' LONG BY 12' WIDE. LONGITUDINAL JOINT LOCATIONS IN THE WHEEL PATH SHALL BE MINIMIZED.
 8. DIMENSION OF LANE 1 SHALL BE AS SHOWN ON THE PLANS.


 APPROVED..... CHIEF ENGINEER..... DATE 1-31-2015

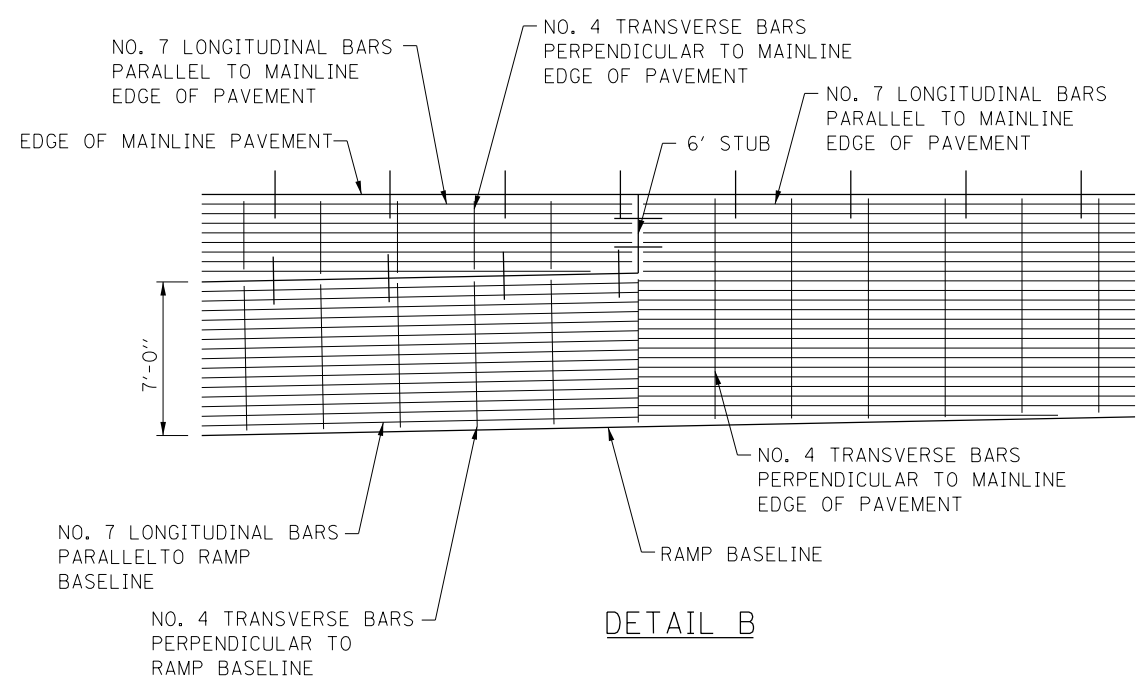
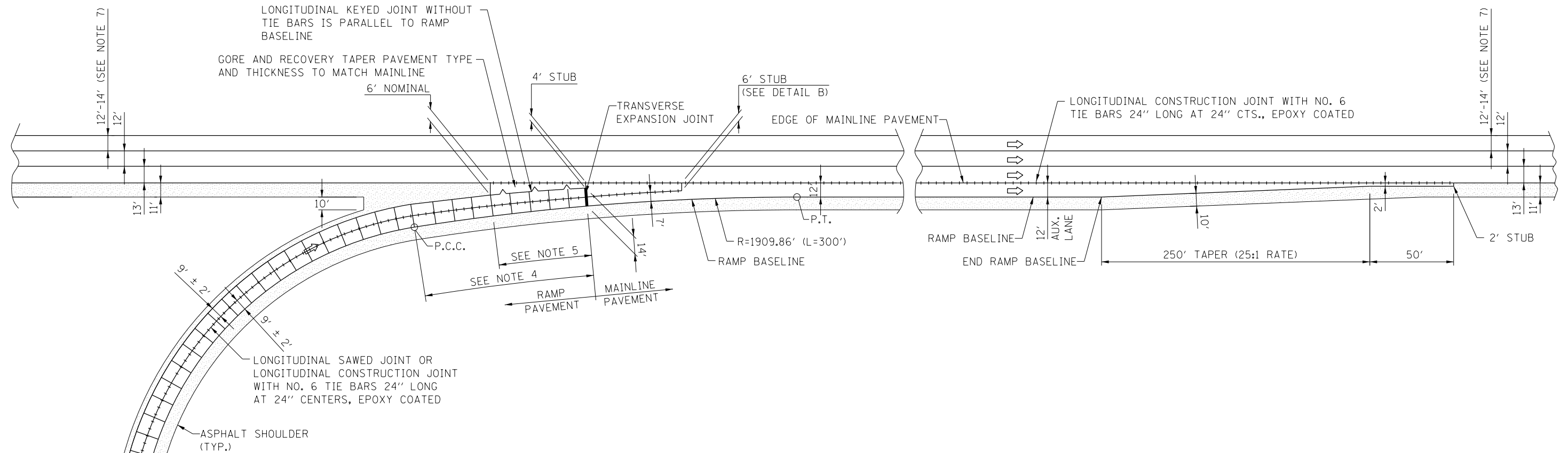
JOINTED PCC RAMP ADJACENT TO JOINTED PCC MAINLINE PAVEMENT

DATE	REVISIONS
3-11-2015	MODIFIED JOINT SPACING
3-31-2016	UPDATED NOTES & CALL-OUTS

SHEET 1 OF 2




JOINTING PLAN PARALLEL
 ENTRANCE RAMP TERMINAL
 STANDARD A17-02




NOTES:

1. ALL PAVEMENT JOINTS SHALL BE DETAILED AS SHOWN ON ILLINOIS TOLLWAY STANDARD DRAWING A7 AND IDOT HIGHWAY STANDARD 420001, EXCEPT EXPANSION JOINT SEALS SHALL BE AS DESCRIBED IN THE SPECIAL PROVISION, BONDED PREFORMED JOINT SEAL.
2. SEE PROJECT PLANS AND CONTRACT DOCUMENTS FOR DETAILS OF PAVEMENT REINFORCEMENT.
3. TYPICAL PCC PAVEMENT JOINT SPACING SHALL BE 15'.
4. RAMP TAPERS FROM 18' TO 14'.
5. THE THICKNESS OF THE JOINTED RAMP PAVEMENT SHALL MATCH THE MAINLINE PAVEMENT. THE EXTRA THICKNESS OF PAVEMENT SHALL BE INCLUDED IN THE PRICE FOR THE RAMP PAVEMENT.
6. AS ADDITIONAL RAMP LANES ARE ADDED, THE MAXIMUM JOINT SPACING SHALL BE 15' LONG BY 15' WIDE. TYPICAL SPACING IS 15' LONG BY 12' WIDE. LONGITUDINAL JOINT LOCATIONS IN THE WHEEL PATH SHALL BE MINIMIZED.
7. DIMENSION OF LANE 1 SHALL BE AS SHOWN ON THE PLANS.


 APPROVED..... CHIEF ENGINEER..... DATE 1-31-2015

JOINTED PCC RAMP ADJACENT TO C.R.C. MAINLINE PAVEMENT



JOINTING PLAN PARALLEL
 ENTRANCE RAMP TERMINAL
 STANDARD A17-02

FABRICATION GENERAL NOTES

MATERIALS:

1. EPOXY COATED DOWEL BARS USED SHALL COMPLY WITH ASTM A 615 GRADE 60.
2. ALL EMBEDDED LIFTING HARDWARE USED SHALL BE GALVANIZED.
 - A. FOR LIFTING INSERTS, INSTALLATION SHALL BE IN ACCORDANCE WITH THE MANUFACTURER'S SPECIFICATION INCLUDING MINIMUM EDGE DISTANCE AND SPACING REQUIREMENTS. UNLESS THE CONTRACTOR AND FABRICATOR WILL BE USING A LIFTING BEAM OR ROLLING SHEAVE TO ENSURE THAT EACH OF THE FOUR INSERTS WILL SHARE THE LOAD EQUALLY, TWO OF THE FOUR INSERTS MUST BE CAPABLE OF CARRYING THE TOTAL LOAD WITH A 4:1 SAFETY FACTOR WHILE ADJUSTING FOR THE ANGLE OF THE CABLES AND THE STRENGTH OF THE CONCRETE OVER TIME. THE INSERT SHOULD BE RECESSED A MINIMUM OF 1/2" UNLESS THE SLAB IS TO BE OVERLAID IMMEDIATELY AFTER PLACEMENT. THE INSERT SHALL LEAVE A MAXIMUM 1 1/4" DIAMETER THREADED HOLE TO BE GROUTED AFTER SLAB INSTALLATION. IF THE INSERT IS INSTALLED WITH A FULL SLAB PENETRATION, THE LIFTING INSERT CAN BE USED AS A BEDDING GROUT PORT AT THE CONTRACTOR'S DISCRETION.
 - B. FOR LIFTING PLATES, INSTALLATION MUST BE IN ACCORDANCE WITH THE MANUFACTURER'S SPECIFICATIONS AND HAVE A STANDARD 5:1 SAFETY FACTOR FOR LIFTING HARDWARE. UNLESS A LIFTING BEAM IS USED TO SPACE THE FOUR PICK POINTS DIRECTLY ABOVE THE INSERTS, THE LIFTING HARDWARE MUST BE RATED FOR USE WITH CABLES AT AN ANGLE AND TWO OF THE FOUR DEVICES MUST BE CAPABLE OF LIFTING THE FULL LOAD AS WITH THE INSERTS REFERENCED IN THE PREVIOUS NOTE.
3. REINFORCEMENT USED SHALL BE EPOXY COATED, IN ACCORDANCE WITH ASTM A706 GRADE 60 AND IN COMPLIANCE WITH ARTICLE 1006.10 OF THE STANDARD SPECIFICATIONS.
4. CONCRETE COVER OVER REINFORCEMENT TO BE MAINTAINED USING WIRE OR THERMOPLASTIC CHAIRS OR SPACERS OR AN APPROVED EQUIVALENT.
5. CONCRETE USED SHALL MEET THE FOLLOWING REQUIREMENTS:
 - A. CONCRETE USED SHALL BE CLASS PC (f'c = 4,500 PSI @ 28 DAYS) IN ACCORDANCE WITH SECTION 1020 OF THE STANDARD SPECIFICATIONS.
 - B. MINIMUM STRIPPING STRENGTH OF CONCRETE SHALL BE 3,000 PSI.
 - C. CONCRETE MIX DESIGN TO BE SUBMITTED AND APPROVED PRIOR TO FABRICATION.
 - D. CURING OF CONCRETE SLABS TO BE IN ACCORDANCE WITH THE SPECIFIED METHODS OF SECTION 1020 OF THE STANDARD SPECIFICATIONS. THE CURING PROCEDURE TO BE USED SHALL BE SUBMITTED AND APPROVED PRIOR TO FABRICATION.

SLAB DESIGN:

6. FOR STANDARD SLABS:
 - A. USE SLAB DIMENSIONS SHOWN ON THE ILLINOIS TOLLWAY STANDARD DRAWINGS FOR DESIGN SLAB THICKNESS, WIDTH, AND LENGTH. ACTUAL WIDTH TO BE MODIFIED WITH ON-SITE SAW CUTS TO FIT THE OPENING.
 - B. USE ONE LAYER OF REINFORCEMENT WITH A MINIMUM STEEL AREA RATIO OF 0.2%.
 - C. SIZE ANY PREFORMED SLOTS THAT ARE DESIGNED FOR CONSECUTIVE STANDARD SLABS CONSISTENT WITH THE THICKNESS OF THE SLAB SUCH THAT THE BOTTOM OF THE OPENING IS AT LEAST 2 1/2" (±1/4") WIDE AND AT LEAST 1/2" OF GROUT COVER IS PROVIDED UNDER THE DOWEL.
 - D. FOR STANDARD SLABS WITH WIDE OPEN SLOTS AND/OR EMBEDDED DOWEL BARS, IT SHALL BE THE CONTRACTOR'S OPTION TO EITHER PRE-INSTALL/EMBED THE DOWEL BARS INTO THE SLABS AT THE PRECAST PLANT AND PARTIALLY RETROFIT THE EMBEDDED DOWELS INTO ADJACENT PAVEMENT SLABS IN THE FIELD, OR TO FULLY RETROFIT THE DOWEL BARS INTO BOTH THE INSTALLED PRECAST SLAB AND ANY ADJACENT SLAB IN THE FIELD DURING PLACEMENT IN ACCORDANCE WITH CONTRACT SPECIFICATIONS AND THE GENERAL NOTES FOR INSTALLATION. THE LOCATIONS AND SPACING OF THE DOWEL BARS IN THE STANDARD SLABS SHALL BE SHOWN ON THE ILLINOIS TOLLWAY STANDARD DRAWINGS AND WITHIN THE SPECIFIED TOLERANCES FOR ALIGNMENT. FOR DOWEL BAR RETROFITTING WITH STANDARD SLAB INSTALLATION, A STANDARD TEMPLATE SHALL BE USED TO LOCATE THE CUTS AND POSITION THE DOWEL SLOTS CONSISTENTLY.
 - E. FOR STANDARD ISOLATED SLABS WITH NARROW ELONGATED PREFORMED DOWEL SLOTS, THE CENTERPOINT BETWEEN THE WHEEL PATH SLOTS SHALL BE MARKED.
7. FOR CUSTOM SLABS:
 - A. USE SLAB DIMENSIONS SHOWN ON THE ILLINOIS TOLLWAY STANDARD DRAWINGS FOR DESIGN SLAB THICKNESS. LENGTHS AND WIDTHS OF EACH CUSTOM SLAB SHALL BE ACCURATE DIMENSIONS BASED ON FIELD SURVEY DATA COLLECTED BY THE CONTRACTOR TO DEVELOP WORKING DRAWINGS FOR THE SLAB. MINIMUM AND MAXIMUM DIMENSIONS FOR LENGTHS AND WIDTHS ARE NOTED ON THE ILLINOIS TOLLWAY STANDARD DRAWINGS.

- B. ANY CUSTOM SLABS > 6 FT IN LENGTH THAT WILL BE OPENED TO TRAFFIC BEFORE ANY HARDWARE AND UNDERSLAB GROUTING OR FILLING OCCURS SHALL REQUIRE TWO (2) LAYERS OF STEEL REINFORCEMENT AS NOTED ON SHEET 5.
 - C. FOR ANY CUSTOM SLAB FABRICATED TO REPLACE EXISTING WARPED PAVEMENT AT AN ISOLATED LOCATION, THE CUSTOM SLAB SHALL BE FABRICATED ON A SINGLE PLANE. THE SLAB THICKNESS OR BEDDING MATERIAL SHALL BE ADJUSTED TO ALLOW FOR THE ELEVATION OF ALL FOUR (4) CORNERS OF THE CUSTOM SLAB TO BE FLUSH OR HIGHER THAN THE EXISTING OR ADJOINING PAVEMENT WHEN INSTALLED. THE SURFACE OF ALL CUSTOM SLABS REPLACING WARPED PAVEMENT SHALL RECEIVE A COMPLETE PROFILE DIAMOND GRIND AFTER INSTALLATION AND GROUTING TO PROVIDE A SMOOTH SURFACE AND LEAVE ALL EDGES FLUSH WITH THE ADJOINING PAVEMENTS. THE PROFILE GRINDING OPERATION FOR CUSTOM SLABS REPLACING ANY WARPED PAVEMENTS, ON CURVED RAMPS OR SUPERELEVATED MAINLINE SECTIONS, SHALL BE IN ACCORDANCE WITH CONTRACT SPECIAL PROVISIONS FOR PROFILE DIAMOND GRINDING AND PAID FOR SEPARATELY. FOR CONSECUTIVELY PLACED CUSTOM SLABS FABRICATED TO REPLACE EXISTING WARPED PAVEMENT, FULL SURVEYS FOR X, Y, AND Z DIMENSIONS SHALL BE TAKEN BY THE CONTRACTOR BEFORE FABRICATION IN ORDER TO MATCH EXISTING GRADES AT ALL CORNERS DURING INSTALLATION.
 - D. FOR ALL CUSTOM SLABS WITH WIDE OPEN SLOTS, THE DOWEL BARS SHALL BE FULLY RETROFITTED INTO ADJACENT PAVEMENT SLABS DURING FIELD INSTALLATION OF THE PRECAST SLAB IN ACCORDANCE WITH CONTRACT SPECIFICATIONS AND GENERAL NOTES FOR INSTALLATION.
 - E. FOR ALL CUSTOMS SLABS WITH NARROW ELONGATED PREFORMED DOWEL SLOTS, THE DOWEL BARS SHALL BE SLID INTO PREDRILLED HOLES IN THE ADAJECENT PAVEMENT SLABS DURING FIELD INSTALLATION OF THE PRECAST SLAB IN ACCORDANCE WITH CONTRACT SPECIFICATIONS AND GENERAL NOTES FOR INSTALLATION.
8. ALL FABRICATED SLABS:
- A. THE MAXIMUM ALLOWABLE JOINT WIDTH CAN NO BE LESS THAN THE TOTAL OF THE ALLOWABLE SLAB FABRICATION TOLERANCES.
 - B. BEDDING GROUT PORT HOLES SHALL BE LOCATED ON TRANSVERSE LINES ACROSS THE SLAB THAT ARE PARALLEL WITH EXISTING TRANSVERSE JOINTS. EACH PORT HOLE SHALL BE EVENLY DISTRIBUTED ON EACH LINE. THE DISTANCE BETWEEN BEDDING GROUT PORT HOLES SHALL NO EXCEED 4'-0", WITH THE PORT HOLES AT THE END OF THE TRANSVERSE LINES TO BE NO LESS THAN 1'-8" AND NO MORE THAN 3'-0" OFF A LONGITUDINAL JOINT. THE TRANSVERSE LINES FOR PORT HOLES SHALL BE NO MORE THAN 4'-0" APART, AND NO LESS THAN 1'-8" AND NO MORE THAN 2'-6" OFF OF A TRANSVERSE JOINT.
 - C. RECESS LIFTING DEVICES 1" MINIMUM BELOW THE SURFACE OF THE SLAB TO ALLOW FOR A MINIMUM GROUT COVER OF 1" ON SLABS THAT WILL NO BE OVERLAID.

11. INCLUDE A 1 INCH CHAMFER ALONG ALL BOTTOM EDGES OF SLABS AND A STONED EDGE TO ALL TOP EDGES OF THE SLAB.
12. THE EXPOSED SURFACES OF ALL PREFORMED SLOTS FOR DOWEL BARS SHALL BE SANDBLASTED.
13. ACCURATELY SCREED TOP OF SLAB TO MEET SURFACE AND THICKNESS TOLERANCES.
14. APPLY EITHER AN ASTRO TURF DRAG FINISH TO TOP OF SLAB IN ACCORDANCE WITH ARTICLE 420.09(e)(2) OF THE STANDARD SPECIFICATIONS, OR A TINED FINISH IN ACCORDANCE WITH ARTICLE 420.09(e)(1) OF THE STANDARD SPECIFICATIONS AS INDICATED IN THE SLAB DESIGN SCHEDULE ON CONTRACT DRAWINGS.
15. AFTER REMOVAL OF FORMS AND ANY BLOCKOUTS, NO SPALLS OF THE FINISHED SURFACE WILL BE ALLOWED.

FABRICATION:

9. PREPARE WORKING DRAWINGS THAT SHALL INCLUDE THE FOLLOWING INFORMATION:
 - A. SLAB LAYOUT DRAWING FOR TYPICAL STANDARD SLABS AND FOR EACH CUSTOM SLAB TO BE FABRICATED, WITH ACCURATE DIMENSIONS CITED.
 - B. REINFORCEMENT SIZES, SPACING, NUMBER OF MATS, AND METHOD OF MAINTAINING CONCRETE COVER.
 - C. SIZES AND LOCATIONS FOR EMBEDDED DOWELS, OF DOWEL BARS TO BE RETROFITTED AFTER PLACEMENT OF THE SLAB, AND OF PREFORMED SLOTS AT THE FEMALE END OF STANDARD SLABS FOR CONSECUTIVE PLACEMENT.
 - D. SIZE AND LOCATION OF GROUT PORTS, LIFTING ANCHORS, AND GROUT SEAL GASKETS.
 - E. COMPRESSIVE STRENGTH AND AIR CONTENT OF CONCRETE.
 - F. CONCRETE CURING METHOD TO BE USED.
 - G. MARKING LEGEND FOR EACH SLAB TO INDICATE PRECAST MANUFACTURER, AND DATE OF PRODUCTION; AND FOR EACH CUSTOM SLAB TO INCLUDE CONTRACT NUMBER AND MARK NUMBER OF THE SLAB.
 - H. WEIGHT OF EACH SLAB.
 - I. THE SIZE AND LOCATION OF ANY EMBEDDED HARDWARE (TREADLE FRAMES, CONDUITS, ETC.) REQUIRED FOR CUSTOM PLAZA SLABS.
10. PERFORM A PRE-POUR INSPECTION OF THE FORMS TO CONFIRM THAT THEY ARE ASSEMBLED IN ACCORDANCE WITH THE FOLLOWING TOLERANCES:

LENGTH AND WIDTH:	±1/8"
DIAGONALS:	±3/16"
DOWEL VARIANCE FROM LEVEL, SQUARENESS TO EDGE OF SLAB, AND LOCATION:	±1/8"
EDGE SQUARENESS:	1/8" IN 10"

(IN RELATION TO TOP AND BOTTOM SURFACES).

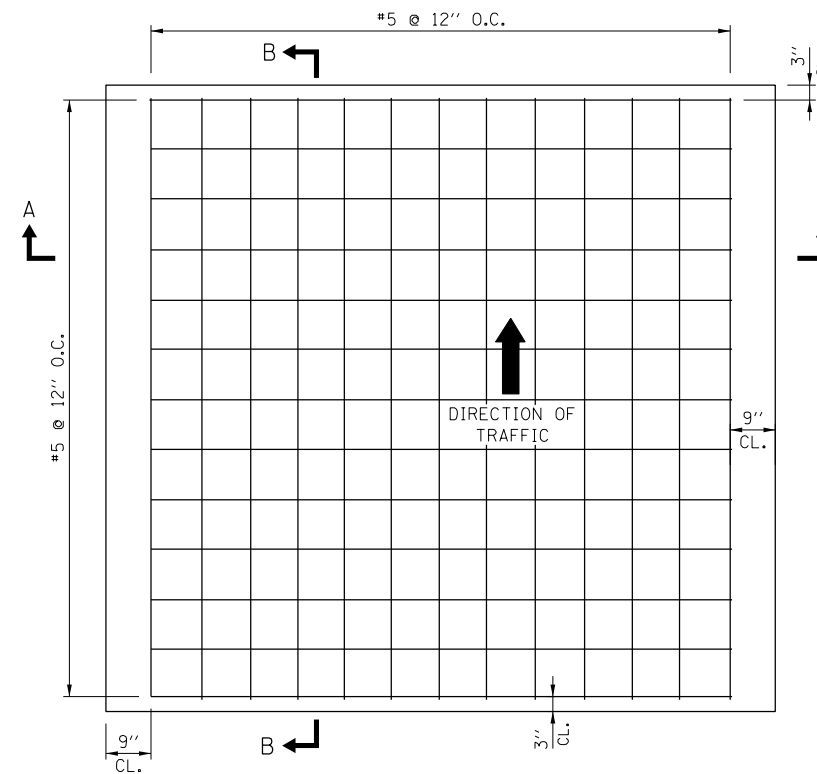


DATE	REVISIONS
02-07-12	SEE A18-01 FOR REVISIONS PER THIS DATE
11-01-12	REVISED NOTES
3-31-2016	REVISED NOTES; UPDATED
	CALLOUTS

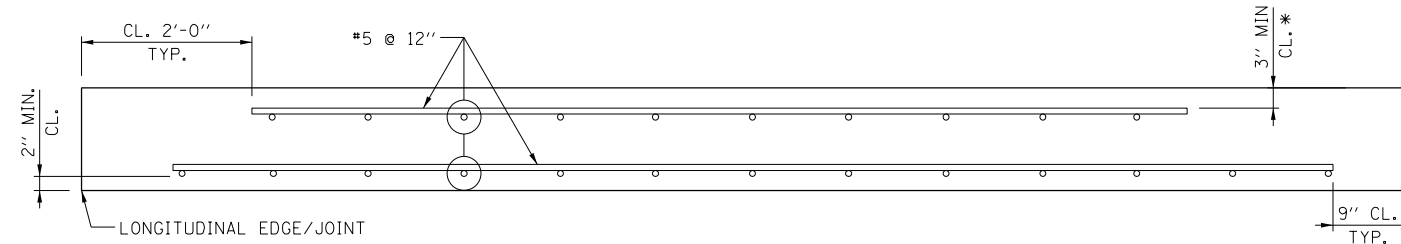
PRECAST PAVEMENT SLABS

STANDARD A18-03

APPROVED CHIEF ENGINEER DATE 5-1-2009



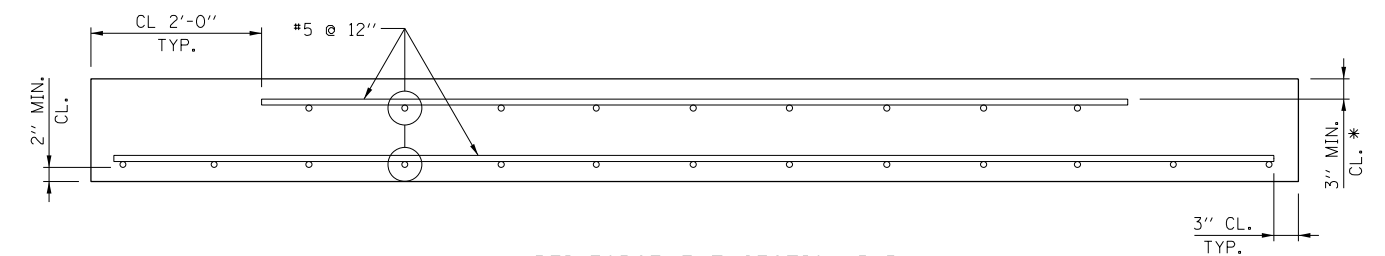
TYPICAL REINFORCEMENT DETAIL FOR STANDARD SLABS



REINFORCEMENT SECTION A-A

TWO MATS OF REINFORCEMENT SHALL BE FOR APPLICATION TO ALL CUSTOM SLABS GREATER THAN 6 FT. LONGITUDINAL LENGTH TO BE OPENED TO TRAFFIC BEFORE GROUTING IS COMPLETED

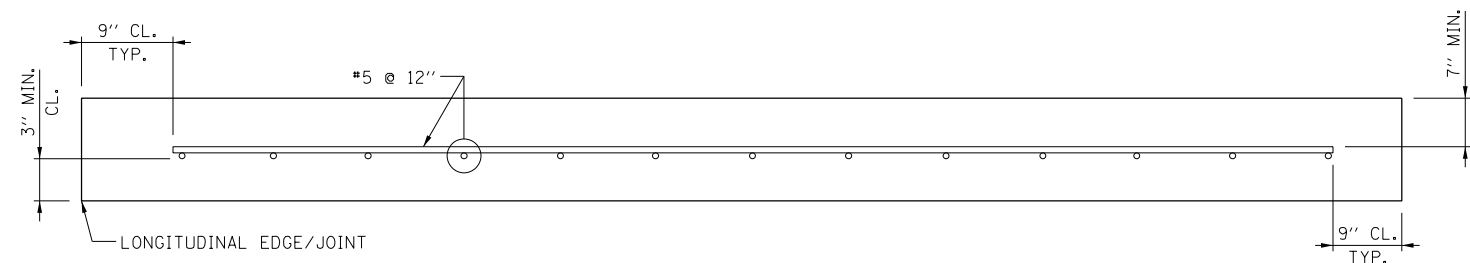
ALL BARS ARE TRIM TO FIT #5 BAR
SAW CUTS OFF LONGITUDINAL EDGES SHALL BE NO MORE THAN 6" OFF THE EDGES



REINFORCEMENT SECTION B-B

TWO MATS OF REINFORCEMENT SHALL BE FOR APPLICATION TO ALL CUSTOM SLABS GREATER THAN 6 FT. LONGITUDINAL LENGTH TO BE OPENED TO TRAFFIC BEFORE GROUTING IS COMPLETED

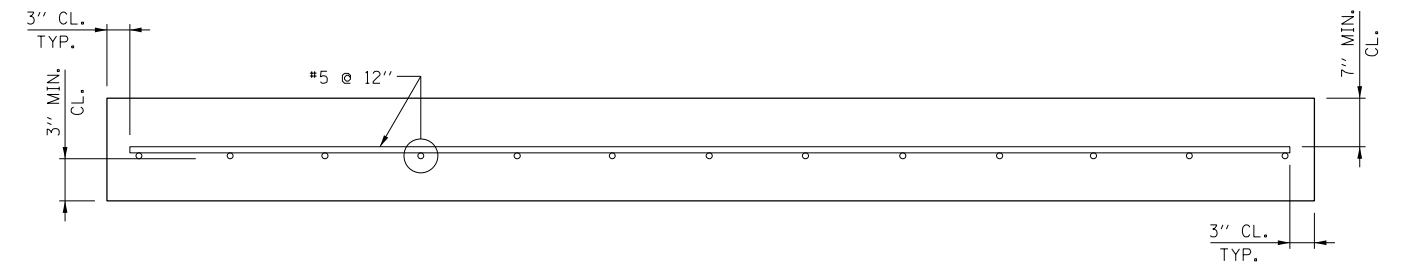
ALL BARS ARE TRIM TO FIT #5 BAR



REINFORCEMENT SECTION A-A

ONE MAT OF REINFORCEMENT SHALL BE FOR APPLICATION TO ALL STANDARD SLABS AND FOR ANY CUSTOM SLABS GREATER THAN 6 FT. LONGITUDINAL LENGTH TO BE OPENED TO TRAFFIC ONLY AFTER GROUTING IS COMPLETED.

ALL BARS ARE TRIM TO FIT #5 BAR
SAW CUTS OFF LONGITUDINAL EDGES SHALL BE NO MORE THAN 6" OFF THE EDGES



REINFORCEMENT SECTION B-B

ONE MAT OF REINFORCEMENT SHALL BE FOR APPLICATION TO ALL STANDARD SLABS AND FOR ANY CUSTOM SLABS GREATER THAN 6 FT. LONGITUDINAL LENGTH TO BE OPENED TO TRAFFIC ONLY AFTER GROUTING IS COMPLETED.

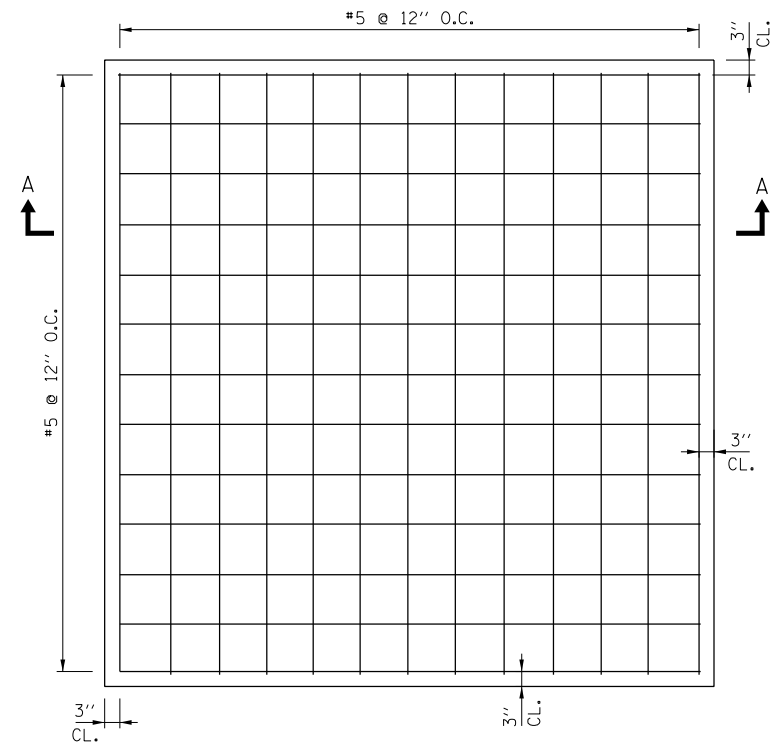
ALL BARS ARE TRIM TO FIT #5 BAR

NOTE:

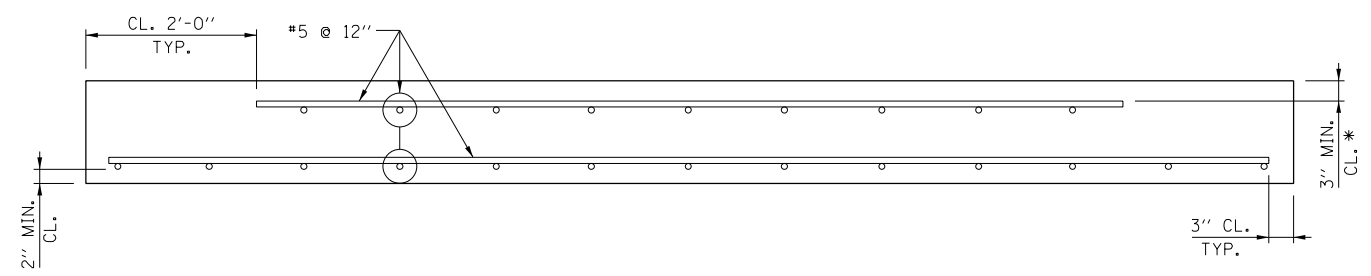
* MIN. CLEARANCE FOR TOP REINFORCEMENT SHALL BE ADJUSTED FOR PLAZA SLAB TO FIT TREADLE FRAMES OR INSERTED HARDWARE.



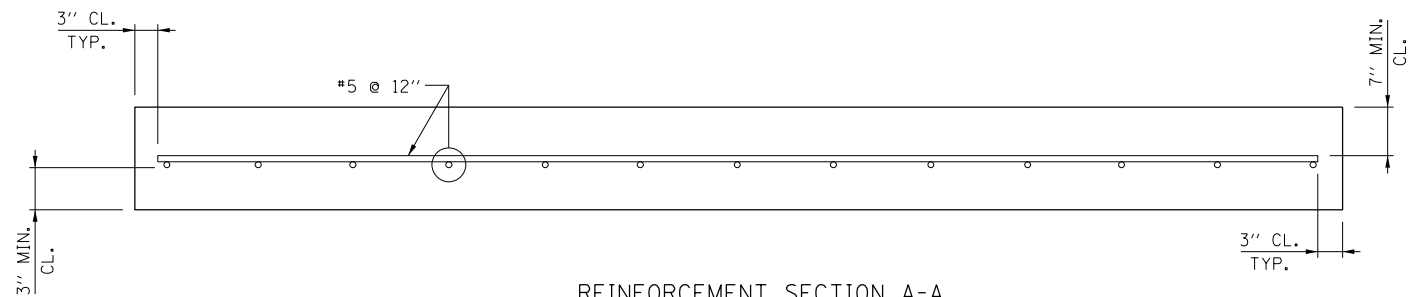
APPROVED: *Paul Kovacs* CHIEF ENGINEER DATE 5-1-2009



TYPICAL REINFORCEMENT DETAIL FOR CUSTOM SLABS



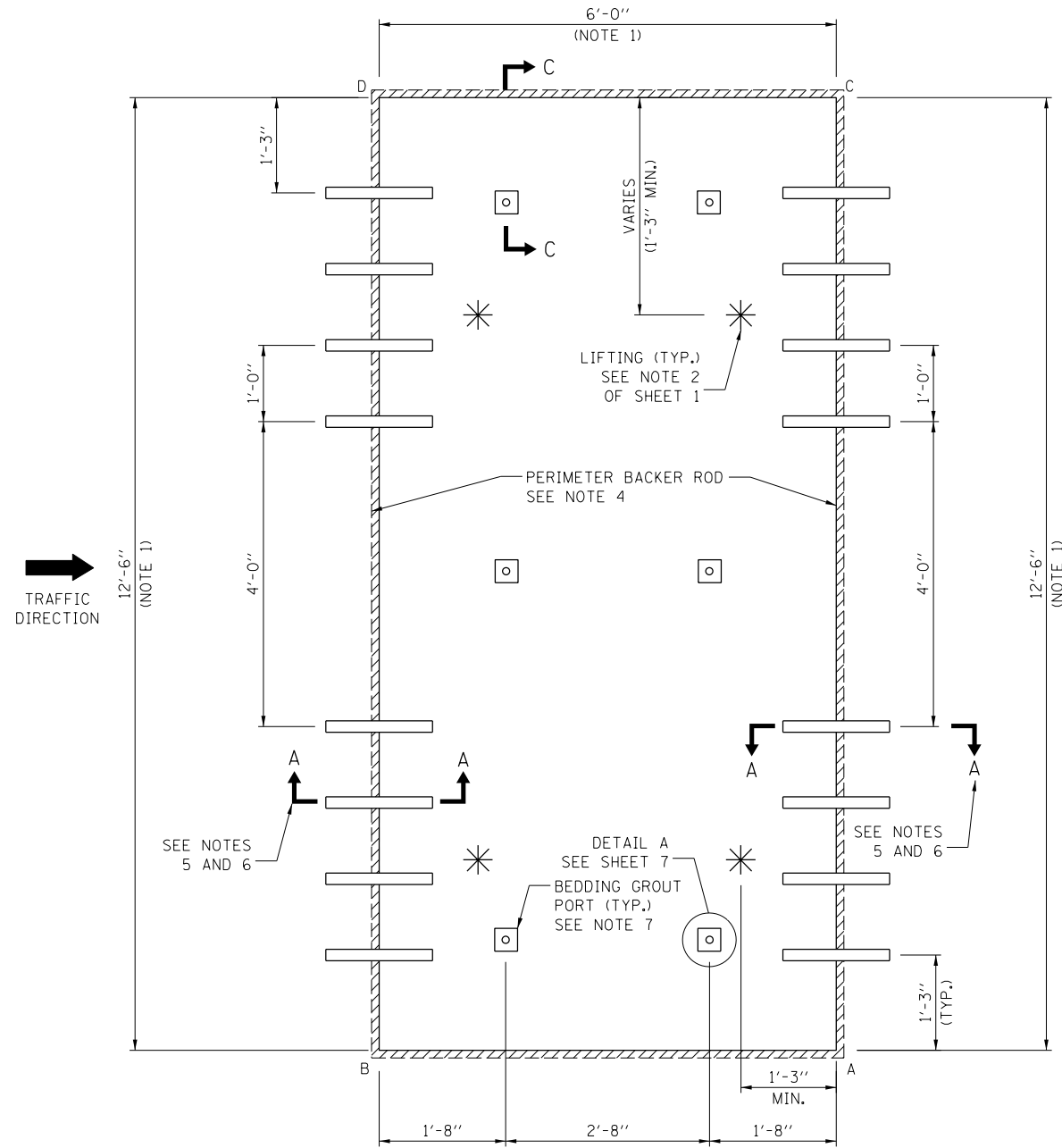
REINFORCEMENT SECTION A-A
 TWO MATS OF REINFORCEMENT SHALL BE FOR APPLICATION TO ALL CUSTOM SLABS GREATER THAN 6 FT. LONGITUDINAL LENGTH TO BE OPENED TO TRAFFIC BEFORE GROUTING IS COMPLETED
 ALL BARS ARE TRIM TO FIT #5 BAR



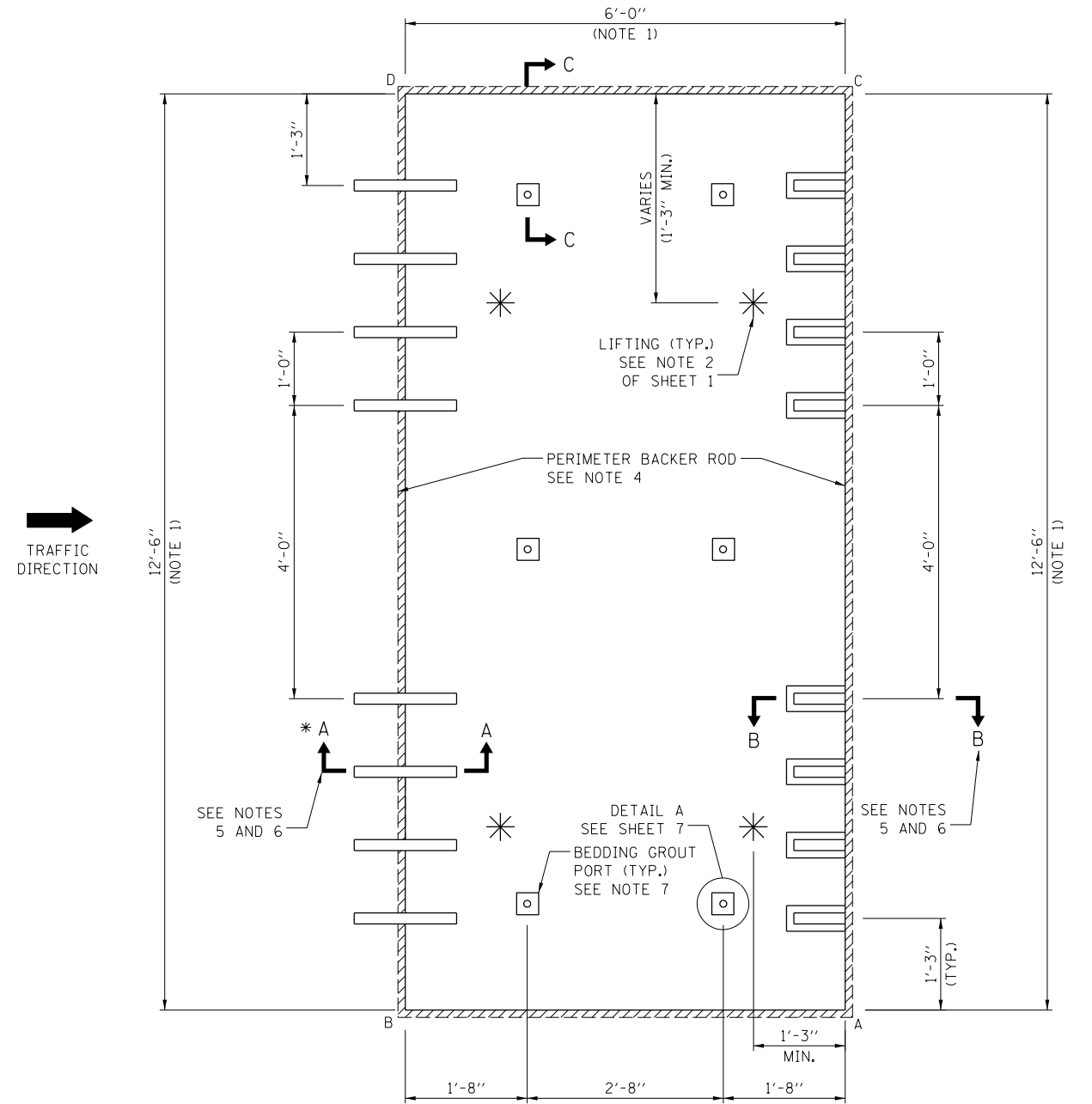
REINFORCEMENT SECTION A-A
 ONE MAT OF REINFORCEMENT SHALL BE FOR APPLICATION TO ALL STANDARD SLABS AND FOR ANY CUSTOM SLABS GREATER THAN 6 FT. LONGITUDINAL LENGTH TO BE OPENED TO TRAFFIC ONLY AFTER GROUTING IS COMPLETED.
 ALL BARS ARE TRIM TO FIT #5 BAR

NOTE:
 FOR ALL CUSTOM SLABS OF TRAPEZOID SHAPES, REINFORCEMENT SHALL BE LAID OUT IN A PERPENDICULAR GRID PATTERN, NOT SKEWED.
 * MIN. CLEARANCE FOR TOP REINFORCEMENT SHALL BE ADJUSTED FOR PLAZA SLAB TO FIT TREADLE FRAMES OR INSERTED HARDWARE.

APPROVED *Paul Kovacs* CHIEF ENGINEER DATE 5-1-2009



STANDARD 12'-6" WIDE PANEL LAYOUT FOR ISOLATED PLACEMENT
WITH EMBEDDED DOWELS FOR PRECAST WIDE MOUTH
SLOTS IN ADJACENT PAVEMENT



STANDARD 12'-6" WIDE PANEL LAYOUT FOR CONSECUTIVE PLACEMENT

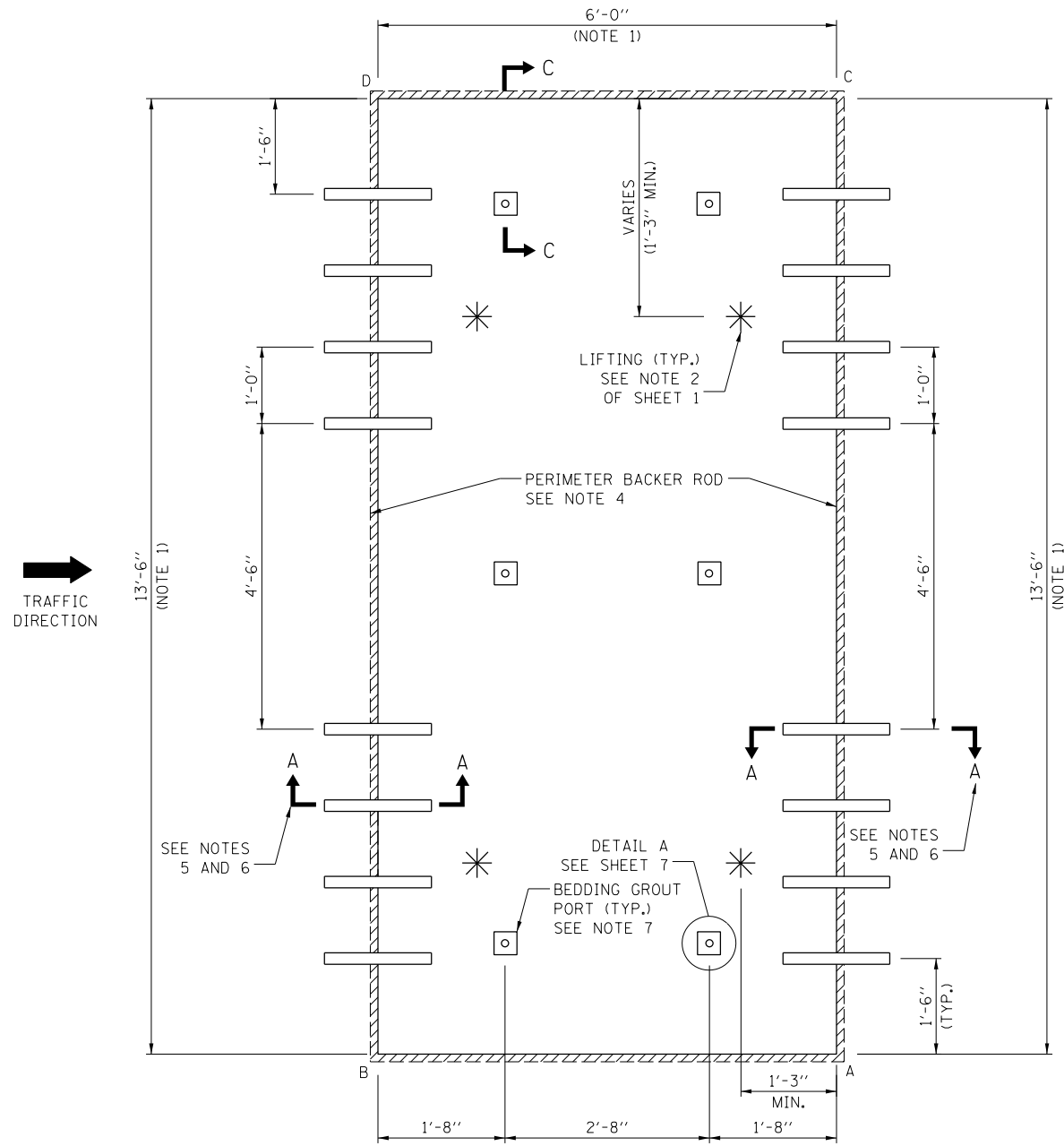
* FOR INTERNAL CONSECUTIVE SLABS, PREFORMED SLOTS IN ACCORDANCE WITH SECTION B-B OF SHEET 4 MAY BE USED IN PLACE OF EMBEDDED DOWELS OR OF FIELD RETROFITTED DOWEL BARS WITH SAWCUT SLOTS. ALL PREFORMED SLOTS MUST BE FILLED BEFORE BEING OPENED TO TRAFFIC.

NOTES:

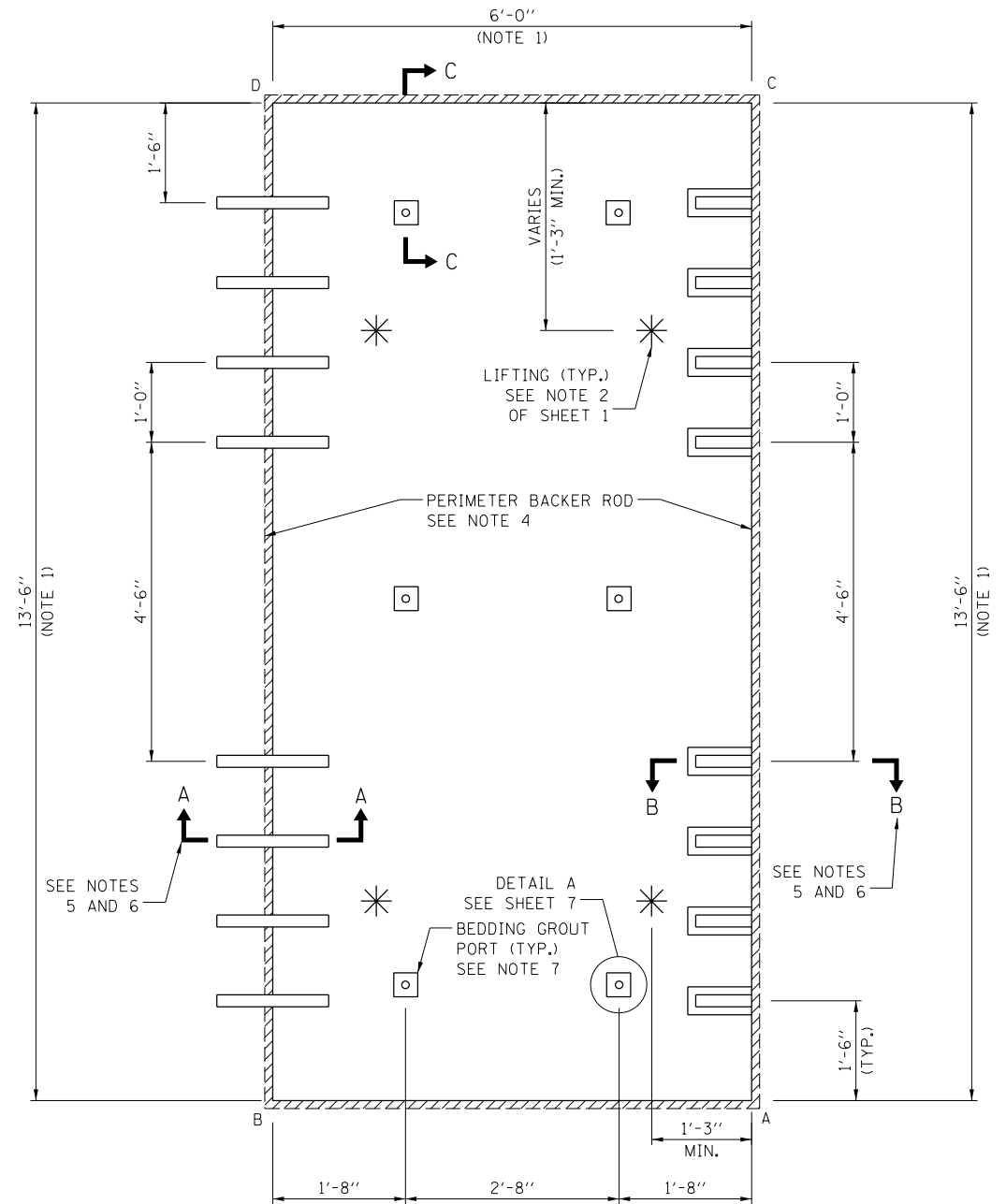
1. THE WIDTH AND LENGTH OF PRODUCED SLABS SHALL BE THE INDICATED DIMENSIONS $\pm 1/8"$.
2. FOR MIDDLE LANE SLAB OPENINGS/PATCHES LESS THAN 12'-6" IN WIDTH AND GREATER THAN 11'-6" IN WIDTH, THE STANDARD PRECAST SLAB CAN BE SAW CUT ON-SITE TO FIT THE OPENING AND TO MAINTAIN ALIGNMENT WITH EXISTING LONGITUDINAL JOINTS. OTHERWISE, THE SLAB PATCH LOCATION MUST BE PRESURVEYED BY THE CONTRACTOR AND THE SLAB FABRICATED AS A CUSTOM SLAB.
3. SLAB THICKNESS SHALL BE $11\frac{1}{2}" \pm 1/8"$.
4. A FOAM BACKER ROD SHALL BE PLACED AROUND THE OUTSIDE PERIMETER OF THE SLAB AT THE BOTTOM OF THE JOINTS BEFORE THE SLAB HAS BEEN SET AND BEFORE BEDDING GROUT OR POLYURETHANE LEVELING FILL IS APPLIED. THE BACKER ROD SHALL NOT BE REQUIRED WHEN ANY SLAB IS LEVELED WITH FLOWABLE FILL.
5. SEE SHEET 7 FOR SECTION DETAILS.
6. IT SHALL BE THE CONTRACTOR'S OPTION TO REPLACE ANY EMBEDDED DOWEL BARS OR PREFORMED SLOTS AS SHOWN ON THESE DRAWINGS WITH FULLY RETROFITTED DOWEL BARS FIELD INSTALLED IN ACCORDANCE WITH "DETAIL C" OF SHEET 13. THE CONTRACTOR SHALL USE AN APPROVED TEMPLATE TO LOCATE THE SAW CUTS REQUIRED FOR PROPER SPACING AND RETROFITTING OF THE DOWEL BARS IN ACCORDANCE WITH THESE DRAWINGS. DIAMOND BLADED GANG SAWS SHALL BE USED TO MAKE SAW CUTS PERPENDICULAR TO THE TRANSVERSE (NONSKewed) JOINT LINE TO ALLOW FOR DOWEL BAR PLACEMENTS WITHIN THE SPECIFIED TOLERANCES.
7. SEE NOTE 8 ON SHEET 1 FOR LOCATING BEDDING GROUT PORTS.

APPROVED *Paul Kovacs* CHIEF ENGINEER DATE 5-1-2009





STANDARD 13'-6" WIDE PANEL LAYOUT FOR ISOLATED PLACEMENT WITH EMBEDDED DOWELS FOR PRECUT WIDE MOUTH SLOTS IN ADJACENT PAVEMENT.



STANDARD 13'-6" WIDE PANEL LAYOUT FOR CONSECUTIVE PLACEMENT

* FOR INTERNAL CONSECUTIVE SLABS, PREFORMED SLOTS IN ACCORDANCE WITH SECTION B-B OF SHEET 4 MAY BE USED IN PLACE OF EMBEDDED DOWELS OR OF FIELD RETROFITTED DOWEL BARS WITH SAWCUT SLOTS. ALL PREFORMED SLOTS MUST BE FILLED BEFORE BEING OPENED TO TRAFFIC.

NOTES:

1. THE WIDTH AND LENGTH OF PRODUCED SLABS SHALL BE THE INDICATED DIMENSIONS $\pm 1/8"$.
2. FOR MIDDLE LANE SLAB OPENINGS/PATCHES LESS THAN 13'-6" IN WIDTH AND GREATER THAN 12'-6" IN WIDTH, THE STANDARD PRECAST SLAB CAN BE SAW CUT ON-SITE TO FIT THE OPENING AND TO MAINTAIN ALIGNMENT WITH EXISTING LONGITUDINAL JOINTS. OTHERWISE, THE SLAB PATCH LOCATION MUST BE PRESURVEYED BY THE CONTRACTOR AND THE SLAB FABRICATED AS A CUSTOM SLAB.
3. SLAB THICKNESS SHALL BE $11\frac{1}{2}" \pm 1/8"$.
4. A FOAM BACKER ROD SHALL BE PLACED AROUND THE OUTSIDE PERIMETER OF THE SLAB AT THE BOTTOM OF THE JOINTS BEFORE THE SLAB HAS BEEN SET AND BEFORE BEDDING GROUT OR POLYURETHANE LEVELING FILL IS APPLIED. THE BACKER ROD SHALL NOT BE REQUIRED WHEN ANY SLAB IS LEVELED WITH FLOWABLE FILL.
5. SEE SHEET 7 FOR SECTION DETAILS.
6. IT SHALL BE THE CONTRACTOR'S OPTION TO REPLACE ANY EMBEDDED DOWEL BARS OR PREFORMED SLOTS AS SHOWN ON THESE DRAWINGS WITH FULLY RETROFITTED DOWEL BARS FIELD INSTALLED IN ACCORDANCE WITH "DETAIL C" OF SHEET 13. THE CONTRACTOR SHALL USE AN APPROVED TEMPLATE TO LOCATE THE SAW CUTS REQUIRED FOR PROPER SPACING AND RETROFITTING OF THE DOWEL BARS IN ACCORDANCE WITH THESE DRAWINGS. DIAMOND BLADED GANG SAWS SHALL BE USED TO MAKE SAW CUTS PERPENDICULAR TO THE TRANSVERSE (NSKEWED) JOINT LINE TO ALLOW FOR DOWEL BAR PLACEMENTS WITHIN THE SPECIFIED TOLERANCES.
7. SEE NOTE 8 ON SHEET 1 FOR LOCATING BEDDING GROUT PORTS.

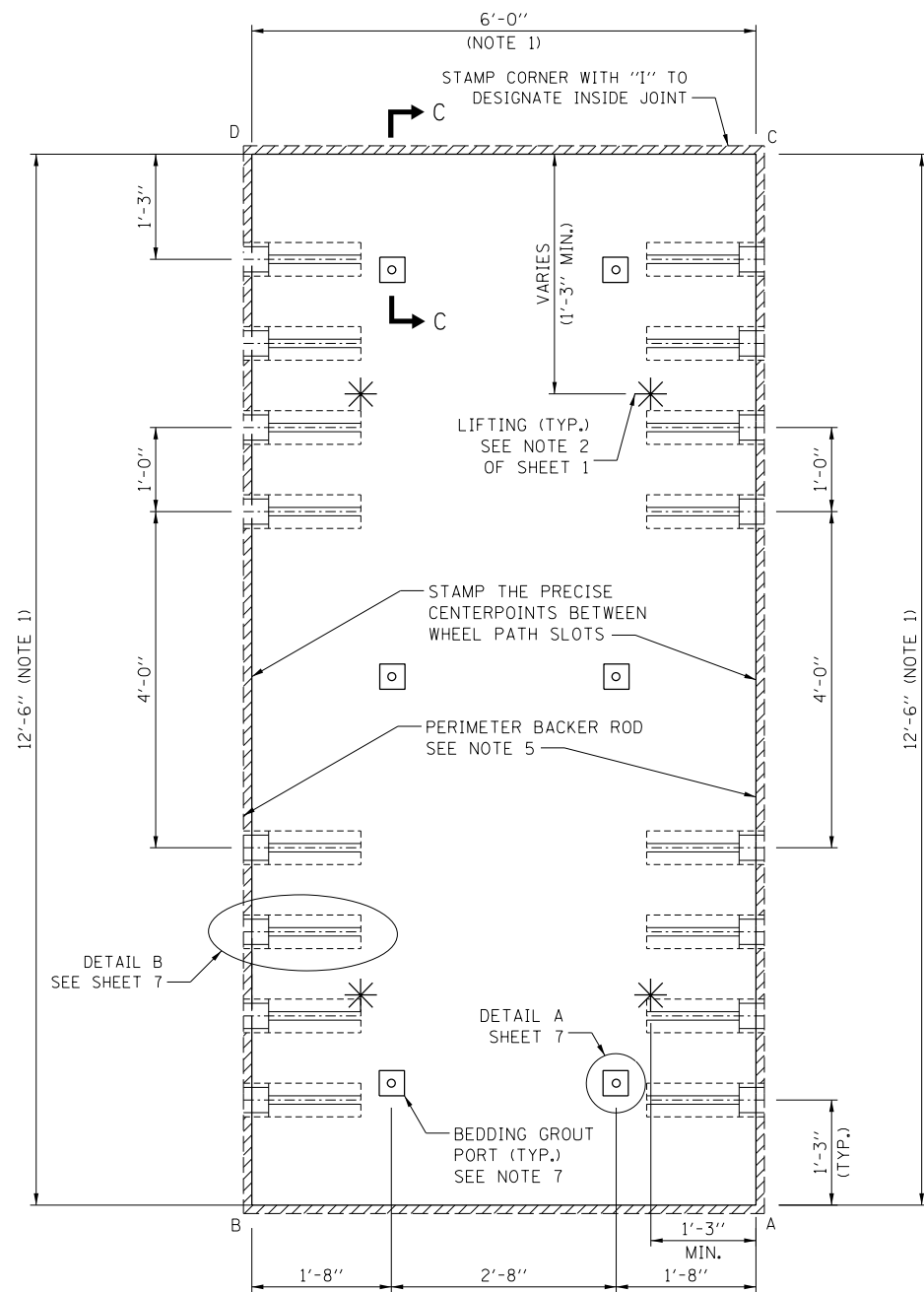


PRECAST PAVEMENT SLABS

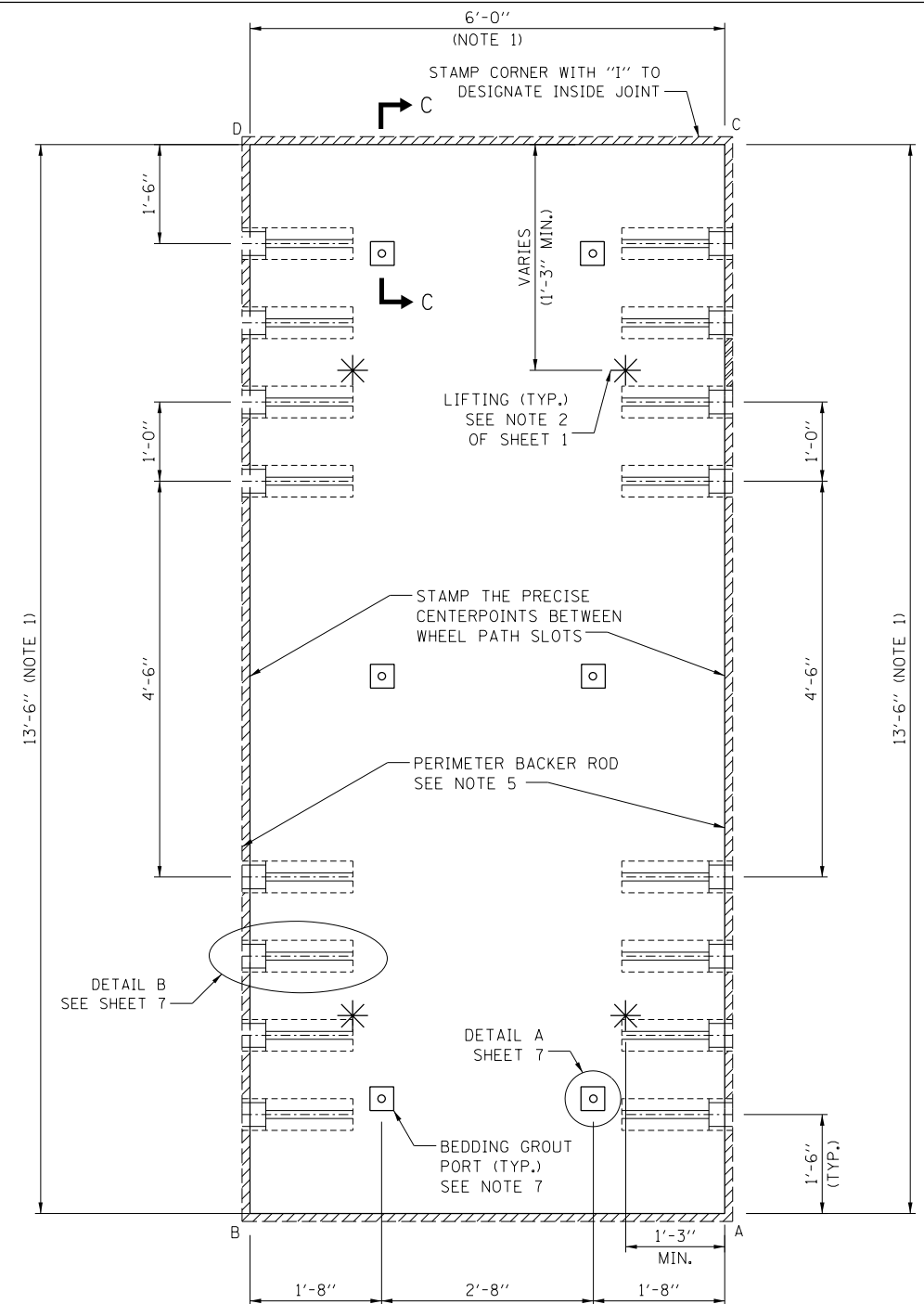
STANDARD A18-03

APPROVED *Paul Kovacs* CHIEF ENGINEER DATE 5-1-2009

TRAFFIC DIRECTION



TRAFFIC DIRECTION



STANDARD 12'-6" WIDE PANEL LAYOUT FOR ISOLATED PLACEMENT WITH NARROW MOUTH PREFORMED DOWEL SLOTS TO ALIGN WITH PREDRILLED HOLES IN ADJACENT PAVEMENT.

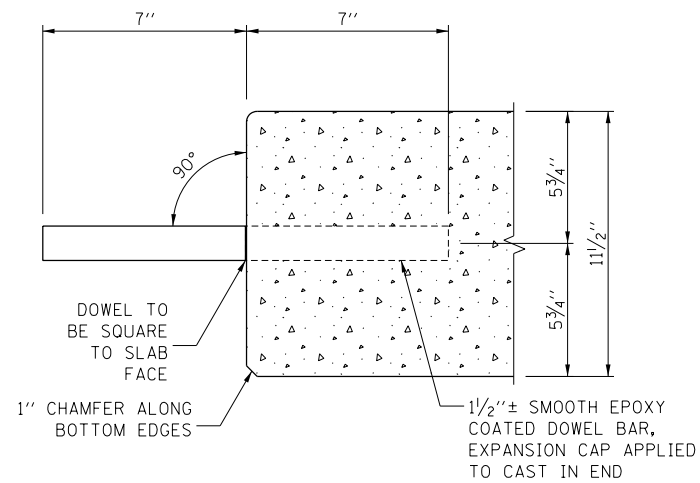
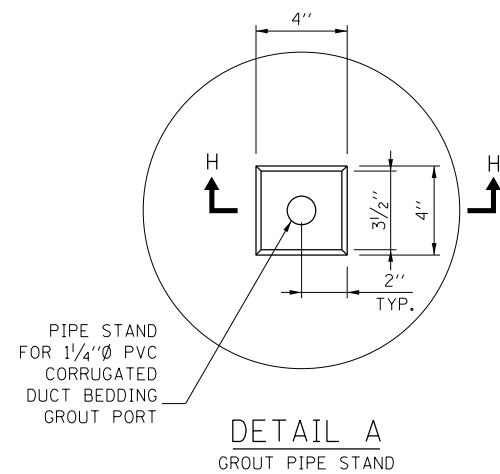
STANDARD 13'-6" WIDE PANEL LAYOUT FOR ISOLATED PLACEMENT WITH NARROW MOUTH PREFORMED DOWEL SLOTS TO ALIGN WITH PREDRILLED HOLES IN ADJACENT PAVEMENT.

NOTES:

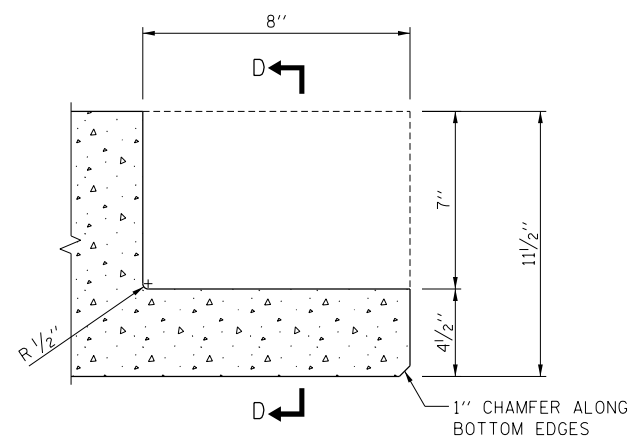
1. THE WIDTH AND LENGTH OF PRODUCED SLABS SHALL BE THE INDICATED DIMENSIONS $\pm 1/8"$.
2. FOR MIDDLE LANE SLAB OPENINGS/PATCHES LESS THAN 12'-6" IN WIDTH AND GREATER THAN 11'-6" IN WIDTH, THE 12'-6" WIDE STANDARD PRECAST SLAB CAN BE SAW CUT ON-SITE TO FIT THE OPENING AND TO MAINTAIN ALIGNMENT WITH EXISTING LONGITUDINAL JOINTS. OTHERWISE, THE SLAB PATCH LOCATION MUST BE PRESURVEYED BY THE CONTRACTOR AND THE SLAB FABRICATED AS A CUSTOM SLAB.
3. FOR MIDDLE LANE SLAB OPENINGS/PATCHES LESS THAN 13'-6" IN WIDTH AND GREATER THAN 12'-6" IN WIDTH, THE 13'-6" WIDE STANDARD PRECAST SLAB CAN BE SAW CUT ON-SITE TO FIT THE OPENING AND TO MAINTAIN ALIGNMENT WITH EXISTING LONGITUDINAL JOINTS. OTHERWISE, THE SLAB PATCH LOCATION MUST BE PRESURVEYED BY THE CONTRACTOR AND THE SLAB FABRICATED AS A CUSTOM SLAB.
4. SLAB THICKNESS SHALL BE $11\frac{1}{2}" \pm 1/8"$.
5. A FOAM BACKER ROD SHALL BE PLACED AROUND THE OUTSIDE PERIMETER OF THE SLAB AT THE BOTTOM OF THE JOINTS BEFORE THE SLAB HAS BEEN SET AND BEFORE BEDDING GROUT OR POLYURETHANE LEVELING FILL IS APPLIED. THE BACKER ROD SHALL NOT BE REQUIRED WHEN ANY SLAB IS LEVELED WITH FLOWABLE FILL.
6. SEE SHEET 7 FOR SECTION DETAILS.
7. SEE NOTE 8 ON SHEET 1 FOR LOCATING BEDDING GROUT PORTS.



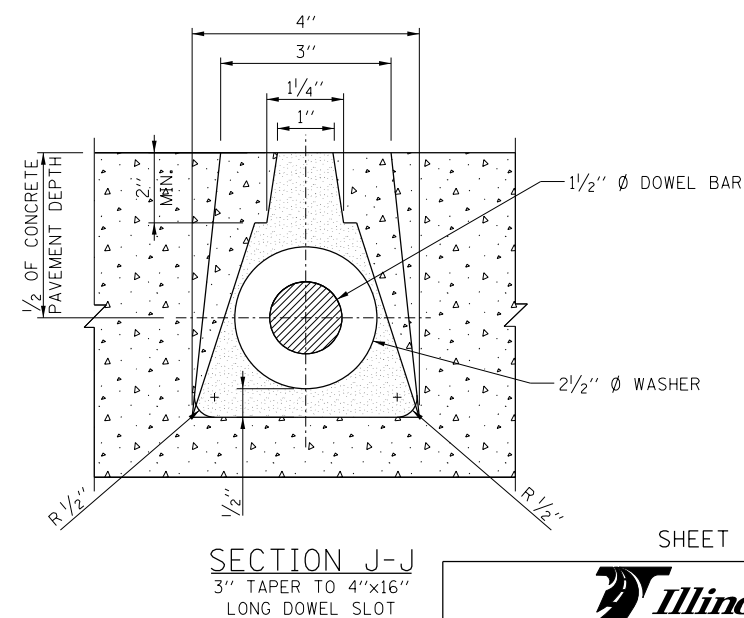
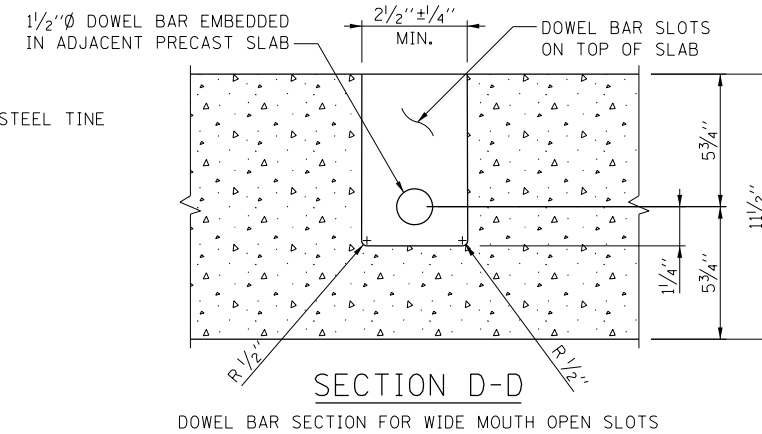
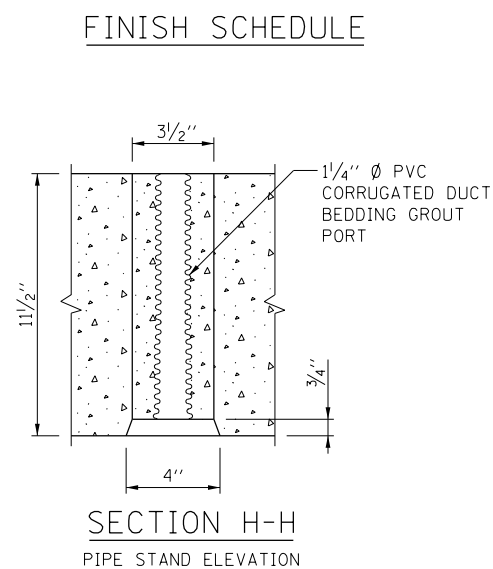
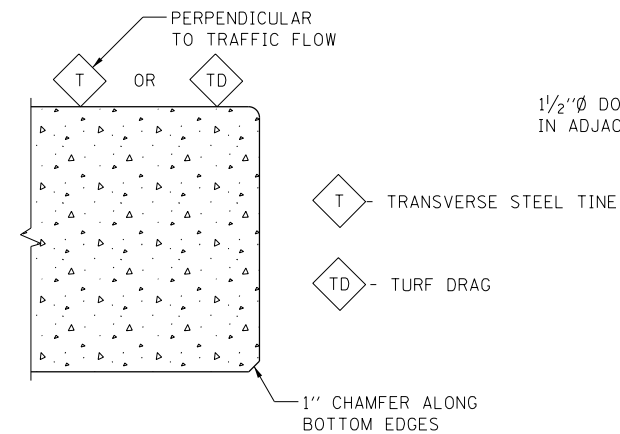
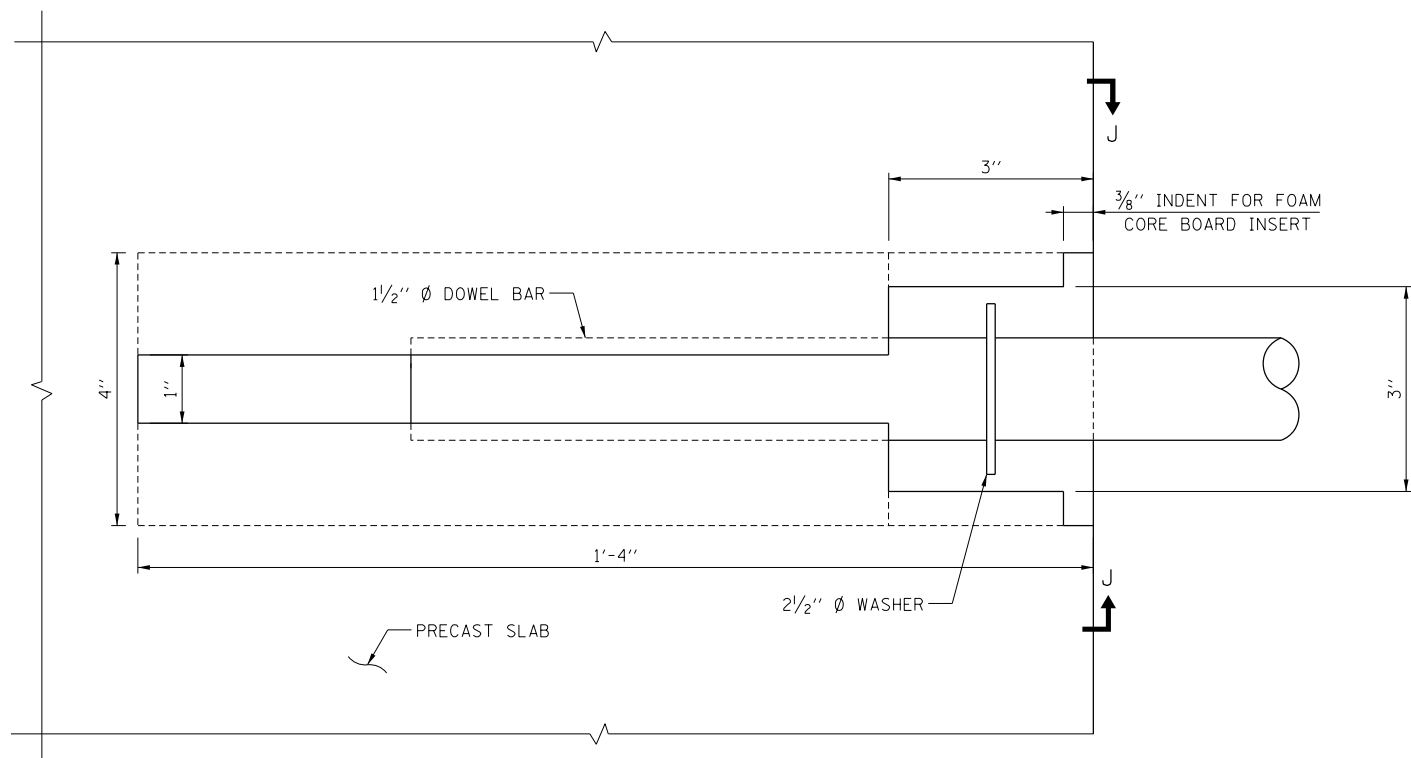
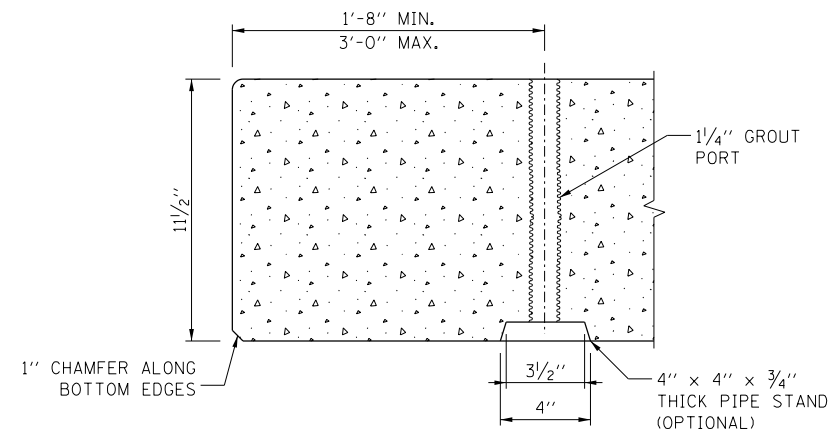
APPROVED *Paul Kovacs* CHIEF ENGINEER DATE 5-1-2009



TRANSVERSE JOINT DOWEL BAR (EMBEDDED INTO STANDARD PRECAST PAVEMENT SLAB FOR BOTH ISOLATED AND CONSECUTIVE PLACEMENT TYP.)



TRANSVERSE WIDE MOUTH OPEN SLOT DETAIL FOR CONSECUTIVE STANDARD SLABS



APPROVED *Paul Kovacs* CHIEF ENGINEER DATE 5-1-2009

FABRICATION DETAILS



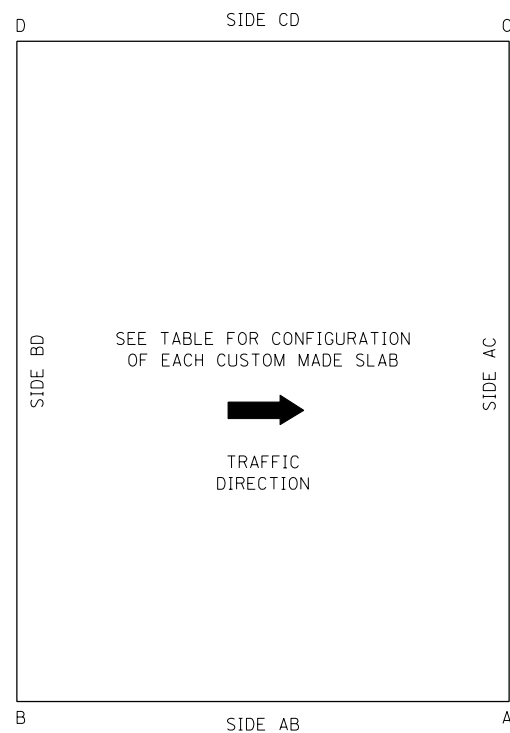
FOR NON-STANDARD SLABS, UPON COMPLETION BY THE CONTRACTOR A SLAB LAYOUT WILL BE ADDED WITH SLAB DIMENSIONS TO INCLUDE BUT NOT BE LIMITED TO THE TABLE SHOWN BELOW.

EXAMPLE	CORRIDOR	STATION NUMBER	MAINLINE LANE NO.	RAMP ID.	RAMP LANE NO.	PLAZA NO.	PLAZA LANE NO.	MARK NO.	LANE TYP.	VARIABLES (FT.)				AB* SIDE	BD* SIDE	CD* SIDE	AC* SIDE	AREA (SQ.FT.)	VOLUME (CU. FT.)	WEIGHT (TONS)	DIAGONALS (FT.)	
										AB (FT.)	AC (FT.)	BD (FT.)	CD (FT.)								AD	BC

MAINLINE LANE NO.: LANE NO 1 IS ADJACENT TO MEDIAN SHOULDER.
 RAMP LANE NO.: LANE NO 1 IS ADAJACENT TO THE BUILDING
 PLAZA LANE NO.: LANE NO 1 IS ADAJACENT TO THE BUILDING
 MARK NO.: EACH PANEL SHALL BE INDIVIDUALLY MARKED FOR CORRECT PLACEMENT.
 LANE TYP.: "OUT" IN THIS COLUMN INDICATES OUTSIDE LANE.
 "MID" IN THIS COLUMN INDICATES MIDDLE LANE.
 "IN" IN THIS COLUMN INDICATES INSIDE LANE
 "PLAZA" IN THIS COLUMN INDICATES PLAZA LANE.

LEGEND

DB= DOWEL BAR EMBEDDED
 DS= DOWEL SLOT
 ST= SLOT OR HOLE FOR STITCHED TIE BAR
 RD= FIELD RETROFITTED DOWEL BARS

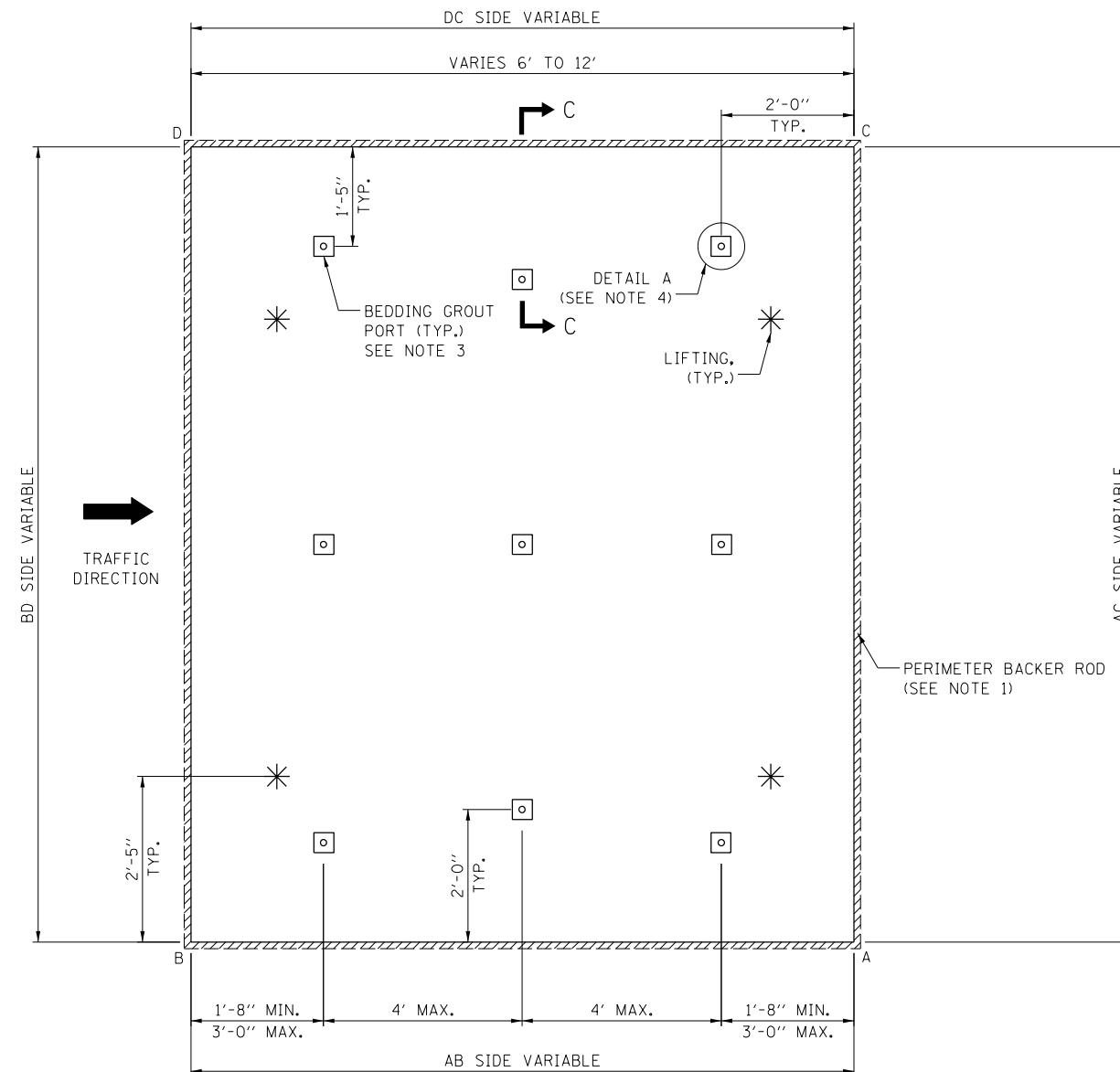


LAYOUT FOR CUSTOM SLABS

LAYOUT KEY

NOTES:

1. A FOAM BACKER ROD SHALL BE PLACED AROUND THE OUTSIDE PERIMETER OF THE SLAB AT THE BOTTOM OF THE JOINTS BEFORE THE SLAB HAS BEEN SET AND BEFORE BEDDING GROUT OR POLYURETHANE LEVELING FILL IS APPLIED. THE BACKER ROD SHALL NOT BE REQUIRED WHEN ANY SLAB IS LEVELED WITH A FLOWABLE FILL.
2. EITHER SINGLE DIAMOND BLADED SAWS OR DIAMOND BLADED GANG SAWS SHALL BE USED TO MAKE THE SAW CUTS PERPENDICULAR TO THE TRANSVERSE (NONKEWED) JOINT LINE TO ALLOW FOR DOWEL BAR PLACEMENTS WITHIN THE SPECIFIED TOLERANCES.
3. SEE NOTE 8 ON SHEET 1 FOR LOCATING BEDDING GROUT PORTS.
4. SEE SHEET 7 FOR SECTION DETAILS.



LAYOUT DETAIL FOR CUSTOM SLABS 6'-12' IN LENGTH (VARIED WIDTH **)

**FOR TRAPEZOID SLABS MINIMUM WIDTH IS 2 FT. WITH MAXIMUM WIDTH OF 16 FT.

APPROVED: *Paul Kovacs* CHIEF ENGINEER DATE 5-1-2009



INSTALLATION GENERAL NOTES

ALIGNMENT:

1. WHEN THE TRANSVERSE JOINTS OF ANY PRECAST SLAB CAN NOT BE ALIGNED WITH TRANSVERSE JOINTS IN ADJACENT LANES, A MINIMUM 2'-0" OFFSET BETWEEN JOINTS SHALL BE PROVIDED.
2. THE LONGITUDINAL JOINT OF ANY ISOLATED OR CONSECUTIVE STANDARD PRECAST SLAB MUST BE ALIGNED TO BE PARALLEL WITH EXISTING LONGITUDINAL JOINTS. NO LONGITUDINAL OFFSETS SHALL BE ALLOWED. THE WIDTH OF ANY OF THE STANDARD PRECAST SLABS SHALL BE SAW CUT ON-SITE TO BE ALIGNED WITH THE EXISTING LONGITUDINAL JOINTS IN ADJACENT LANES OF EXISTING CONCRETE PAVEMENTS. THE WIDTH OF THE PRECAST SLAB SHALL BE NO MORE THAN 1/2 INCH LESS THAN THE WIDTH OF THE EXISTING SLAB BEING REPLACED. IF A STANDARD SLAB DOES NOT COMPLY WITH TOLERANCES FOR MAXIMUM AND MINIMUM WIDTHS FOR A DESIGNATED LOCATION, THEN A CUSTOM SLAB SHALL BE REQUIRED TO BE PRODUCED AND PLACED.
3. THE TRANSVERSE JOINT OF ANY PRECAST SLAB SHALL BE NO LESS THAN 4'-0" DISTANCE FROM AN EXISTING TRANSVERSE JOINT THAT REMAINS, OR NO LESS THAN 2'-0" DISTANCE PAST ANY EXISTING TRANSVERSE JOINT THAT IS REMOVED AND REPLACED WITH A PRECAST SLAB.
4. PRIOR TO THE PLACEMENT OF AN ISOLATED STANDARD PRECAST SLAB IN A MIDDLE LANE, THE WIDTH BETWEEN EXISTING LONGITUDINAL CONCRETE PAVEMENT JOINTS SHALL BE MEASURED BY THE CONTRACTOR UNDER MAINTENANCE OF TRAFFIC PROVIDED BY THE CONTRACTOR. ONLY APPROXIMATE WIDTHS SHALL BE MEASURED BY AND PROVIDED BY THE DESIGNER FOR BIDDING PURPOSES. THE CONTRACTOR'S WIDTH MEASUREMENTS SHALL BE USED TO DETERMINE THE NEED FOR ANY ON-SITE SAWCUTS OF THE LONGITUDINAL EDGES TO FIT THE OPENING AND TO ALIGN THE SAW CUT EDGE(S) WITH ANY EXISTING LONGITUDINAL JOINTS. THE LONGITUDINAL EDGES OF ANY STANDARD SLAB SHALL NOT BE SAW CUT MORE THAN 6 INCHES OFF THE ORIGINAL EDGE. NO NEW LONGITUDINAL JOINT SHALL BE ALLOWED INSIDE THE EXISTING JOINT BY MORE THAN 3/8 INCH. IF THESE TOLERANCES CAN NOT BE MET, THEN A CUSTOM SLAB SHALL BE REQUIRED. FOR ISOLATED STANDARD SLABS PLACED IN THE OUTSIDE OR INSIDE LANES, THE NEW CONCRETE LONGITUDINAL JOINT SHALL MATCH THE EXISTING JOINT. THE STANDARD PRECAST SLAB MAY EXTEND INTO THE EXISTING BITUMINUS SHOULDERS NO MORE THAN 6 INCHES TO ALLOW FOR PROPER ALIGNMENT OF THE CONCRETE JOINTS. THE ONLY ALTERNATIVE TO ON-SITE SAW CUTTING OF ISOLATED STANDARD SIZES PRE-FABRICATED SLABS IS TO DESIGN AND FABRICATE EACH SLAB, TAKING WIDTH MEASUREMENTS AT THE BEGINNING OF A PROJECT AND THEN FABRICATING THE SLAB TO FIT THE SPECIFIC OPENING DIMENSIONS.
5. FOR STANDARD SLAB PLACEMENTS, A TEMPLATE SUPPLIED BY THE PRECAST FABRICATOR SHALL BE USED TO LOCATE THE PERIMETER SAW CUTS FOR THE SLAB. THE TEMPLATE MAY BE USED TO MARK LONGITUDINAL EDGE SAW CUT LOCATIONS ON A PRECAST SLAB TO FIT THE SAME PATCH OPENING THAT THE TEMPLATE WAS USED FOR TO LOCATE A PERIMETER SAW CUT. IF THE SLAB DOWEL BAR IS RETROFITTED OR FABRICATED FOR INSERTED DOWELS, THE TEMPLATE MAY ALSO BE USED FOR THE EMBEDDED /SLOTTED DOWEL BAR LOCATIONS TO BE RETROFITTED OR INSERTED INTO EXISTING PAVEMENT.

LOAD TRANSFER:

6. ACROSS STANDARD SLABS
 - A. THE EMBEDDED DOWEL BARS OF ISOLATED STANDARD PRECAST SLABS SHALL BE RETROFITTED INTO EXISTING CONCRETE PAVEMENT IN ACCORDANCE WITH DETAIL D (SEE SHEET 14).
 - B. THE EMBEDDED DOWEL BARS OF CONSECUTIVE STANDARD SLABS SHALL BE:
 - (i) RETROFITTED INTO THE EXISTING CONCRETE PAVEMENT AT THE LOCATION OF THE FIRST SLAB PLACEMENT IN ACCORDANCE WITH DETAIL D (SEE SHEET 14).
 - (ii) RETROFITTED INTO THE PREFORMED SLOTS OF ADJACENT PRECAST SLABS IN ACCORDANCE WITH DETAIL E (SEE SHEET 15).
 - (iii) EITHER FULLY RETROFITTED INTO THE PREFORMED SLOT OF THE LAST INSTALLED CONSECUTIVE PRECAST SLAB AND THE ADJACENT CONCRETE PAVEMENT IN ACCORDANCE WITH DETAIL F (SEE SHEET 16), OR PARTIALLY RETROFIT AN EMBEDDED DOWEL BAR OF A STANDARD ISOLATED SLAB INTO ADJACENT PAVEMENT AS THE LAST INSTALLED CONSECUTIVE PRECAST SLAB IN ACCORDANCE WITH DETAIL D (SEE SHEET 14).
 - C. FOR PRECAST STANDARD SLABS WITHOUT EMBEDDED DOWEL BARS AND WITHOUT NARROW MOUTH PREFORMED SLOTS FOR DOWEL INSERTIONS, THE DOWEL BARS SHALL BE FULLY RETROFITTED ACROSS ALL TRANSVERSE JOINTS IN THE FIELD IN ACCORDANCE WITH DETAIL C (SEE SHEET 13). THE LOCATIONS AND SPACING OF ALL FIELD RETROFITTED DOWEL BARS SHALL COMPLY WITH THE SPECIFIED TOLERANCES AS SHOWN ON SHEETS 4 AND 5.
 - D. FOR PRECAST STANDARD SLABS WITH LONG AND NARROW MOUTH PREFORMED SLOTS AS SHOWN ON SHEET 6, THE LOCATIONS FOR PREDRILLED HOLES FOR DOWEL BAR INSERTIONS SHALL BE ALIGNED WITH THE PREFORMED SLOTS IN THE SPECIFIC PANEL BEING PLACED. ONLY GANG DRILLS WILL BE USED TO DRILL THE HOLES. THE HOLES SHALL BE PARALLEL TO THE GRADE AND CENTERLINE OF THE PAVEMENT WITH A TOLERANCE OF 1/8 INCH IN 12 INCHES. THE DRILLING OPERATION SHALL NOT CRACK OR SPALL THE PAVEMENT. BEFORE SLAB PLACEMENT, THE DOWEL BARS SHALL BE PLACED WITHIN THE ELONGATED SLOTS AND THE PREDRILLED HOLES THOROUGHLY CLEANED OF DRILLING DEBRIS. AFTER SLAB PLACEMENT, THE DOWEL BARS WILL BE SLID INTO THE PREDRILLED HOLES AND EPOXIED IN ACCORDANCE WITH ARTICLE 442.06(d)(2) OF THE STANDARD SPECIFICATIONS WITH RETENTION DISKS OR WASHERS PLACED AGAINST THE FACE OF THE SLAB. SEE DETAIL G OF SHEET 17. IMMEDIATELY PRIOR TO FILLING THE PREFORMED SLOT WITH BACKFILL GROUT, THE EXPOSED ENDS OF THE DOWEL BARS SHALL BE CLEANED AND LIGHTLY OILED IN SUCH A MANNER AS TO NOT CONTAMINATE THE SURFACE OF ANY CLEANED SLOT AND THE FOAM CORE BOARD SHALL BE INSERTED AT THE FACE OF THE ADJACENT SLAB.

7. ACROSS CUSTOM MADE SLABS
 - A. THE DOWEL BARS OF CUSTOM DESIGNED PRECAST SLABS PLACED CONSECUTIVELY, PLACED ON WARPED GRADES, OR PLACED ON RAMPS SHALL BE FULLY RETROFITTED ACROSS THE JOINT IN THE FIELD IN ACCORDANCE WITH DETAIL C (SEE SHEET 13). FOR ALL SUCH CUSTOM SLABS, THE DOWELS BETWEEN ANY EXISTING CONCRETE PAVEMENT AND ANY ADJACENT PRECAST SLABS, AND BETWEEN CONSECUTIVELY PLACED CUSTOM PRECAST SLABS SHALL BE 1'-0" ON CENTER ACROSS THE ENTIRE JOINT.
 - B. THE DOWEL BARS OF CUSTOM DESIGNED ISOLATED PRECAST SLABS PLACED ON TANGENT MAINLINE PAVEMENT FOR MID SLAB CRACK REPAIR OR FOR JOINT REPLACEMENT CAN BE EITHER RETROFITTED ACROSS THE JOINT IN ACCORDANCE WITH DETAIL C (SEE SHEET 13), OR FULLY INSERTED INTO THE ADJACENT PAVEMENT IN ACCORDANCE WITH DETAIL G (SEE SHEET 17). THE LOCATIONS AND SPACING OF ALL FIELD RETROFITTED OR FIELD INSERTED DOWEL BARS SHALL COMPLY WITH THE SPECIFIED TOLERANCES AS SHOWN ON SHEETS 4 AND 5. FIELD INSERTION OF DOWEL BARS SHALL BE IN ACCORDANCE WITH NOTE 6(D) ABOVE.
 - C. NO END DOWEL BARS SHALL BE RETROFITTED OR INSERTED WITHIN 8" OR NO MORE THAN 1'-7" FROM THE CORNER OF THE PRECAST SLAB OR ADJOINING CONCRETE PAVEMENT SLAB THAT EXISTS.

LONGITUDINAL TIE BAR STITCHING:

8. THE LOCATIONS OF LONGITUDINAL TIE BARS SHALL BE DETERMINED BASED ON THE CRITERIA THAT LONGITUDINAL TIES SHALL BE REQUIRED FOR ANY CLASS B FULL DEPTH REPAIR AND PRECAST REPAIR GREATER THAN 20 FT IN LENGTH OR WITH ANY PRECAST REPAIR THAT REQUIRES MORE THAN 3 CONSECUTIVE PRECAST SLABS.
9. THE SPACING BETWEEN TIE BARS SHALL BE NO LESS THAN 24 INCHES. TIE BAR INSERTIONS SHALL BE NO LESS THAN 24 INCHES FROM ANY EXISTING TRANSVERSE JOINT OR FROM THE LOAD TRANSFER JOINTS OF ANY PLACED PRECAST SLAB OR CAST-IN-PLACE CONCRETE PATCH IN EITHER LANE ADJACENT TO THE LONGITUDINAL JOINT. THE PROCEDURE AND LOCATIONS FOR TIE BAR STITCHING SHALL BE IN ACCORDANCE WITH DETAIL H (SEE SHEET 19).

MATERIALS:

10. FOR GRADE SUPPORTED PRECAST SLABS, THE BEDDING AND UNDERSEALING MATERIAL FOR LEVELING AND SUPPORT SHALL CONSIST OF:
 - A. LEVELING SAND SHALL BE 100% CRUSHED FINE AGGREGATE OF AN FA-6, FA-20, OR FA-21 GRADATION AS SPECIFIED IN SECTION 1003 OF THE STANDARD SPECIFICATIONS. THE FINE AGGREGATE SHALL BE REASONABLY FREE FROM AN EXCESS OF SOFT AND UNSOUND PARTICLES AND OTHER OBJECTIONABLE MATTER. THE TYPICAL THICKNESS OF THE LEVELING SAND LAYER SHALL BE APPROXIMATELY 1/4 INCH WITH A MAXIMUM THICKNESS OF 1 INCH.
 - B. FOR GRADE SUPPORTED SLABS, UNDERSEALING GROUT SHALL BE USED AFTER SLAB INSTALLATION TO FILL ALL VOIDS BENEATH THE PRECAST PANELS. THE MIXTURE USED FOR UNDERSEALING GROUT SHALL CONSIST OF PORTLAND CEMENT, FLY ASH, GROUND GRANULATED BLAST FURNACE SLAG (OPTIONAL), A SUPERPLASTICIZER, AND WATER ALL IN ACCORDANCE WITH DIVISION 1000 OF THE STANDARD SPECIFICATIONS. THE CONTRACTOR SHALL SUBMIT THE PROPOSED MIX DESIGN FOR UNDERSEALING GROUT TO THE ENGINEER FOR ILLINOIS TOLLWAY APPROVAL PRIOR TO PLACEMENT. THE UNDERSEALING GROUT PRODUCED SHALL BE IN ACCORDANCE WITH THE FOLLOWING:
 - (i) THE UNDERSEALING GROUT SHALL REMAIN FLUID AND NOT EXHIBIT A RESISTANCE TO FLOW FOR A MINIMUM OF ONE HOUR. THE GROUT MIXTURE SHALL HAVE A FLOW RATE OF 15 TO 25 SECONDS AS MEASURED BY ASTM C 939 TO ENSURE FLUIDITY.
 - (ii) THE UNDERSEALING GROUT SHALL ACHIEVE AN INITIAL SET IN LESS THAN 4 HOURS AND A COMPRESSIVE STRENGTH AS MEASURED BY ASTM C 942 OF 300 PSI BEFORE OPENING THE SLAB TO TRAFFIC AND A COMPRESSIVE STRENGTH OF 500 PSI IN 12 HOURS.
11. FOR PRECAST SLABS SUPPORTED AND LEVELED BY FLOWABLE FILL PLACED BEFORE SLAB INSTALLATION, THE FLOWABLE FILL SHALL CONSIST OF PORTLAND CEMENT, FLY ASH, COARSE AND/OR FINE AGGREGATES, WATER, AND AIR ENTRAINING ADMIXTURE (OPTIONAL). THE CONTRACTOR SHALL SUBMIT THE PROPOSED MIX DESIGN FOR FLOWABLE FILL TO THE ENGINEER FOR APPROVAL PRIOR TO PLACEMENT. THE FLOWABLE FILL PRODUCED SHALL BE IN ACCORDANCE WITH THE FOLLOWING:
 - i) PORTLAND CEMENT SHALL BE TYPE 1 CEMENT IN ACCORDANCE WITH SECTION 1001 OF THE STANDARD SPECIFICATIONS.
 - ii) FLY ASH SHALL BE IN ACCORDANCE WITH SECTION 1010 OF THE STANDARD SPECIFICATIONS.
 - iii) FINE AGGREGATE SHALL BE IN ACCORDANCE WITH SECTION 1003 OF THE STANDARD SPECIFICATIONS.
 - iv) COARSE AGGREGATE, IF USED, SHALL BE IN ACCORDANCE WITH SECTION 1004 OF THE STANDARD SPECIFICATIONS WITH A MAXIMUM AGGREGATE SIZE OF 12.5 MM.
 - v) IF AN AIR ENTRAINMENT ADMIXTURE IS USED, THE AIR CONTENT OF THE FLOWABLE FILL SHALL NOT EXCEED 35% OF THE FLOWABLE FILL VOLUME.
 - vi) THE COMPRESSIVE STRENGTH OF THE FLOWABLE FILL MIXTURE SHALL NOT BE LESS THAN 50 PSI AT 3 DAYS, NOR LESS THAN 75 PSI OR GREATER THAN 150 PSI AT 28 DAYS.
 - vii) THE FINAL SET TIME SHALL BE DETERMINED IN ACCORDANCE WITH ASTM C403 ON A TRIAL BATCH SPECIMEN.
 - viii) THE MAXIMUM THICKNESS OF THE LEVELING FILL SHALL BE 1 INCH.

12. FOR PRECAST SLABS SUPPORTED AND LEVELED BY HIGH-DENSITY FOAM PLACED AFTER SLAB INSTALLATION, THE HIGH-DENSITY FOAM SHALL BE EXPANDING POLYURETHANE FOAM HAVING A WATER INSOLUBLE DILUENT AND SHALL BE IN ACCORDANCE WITH THE FOLLOWING:
 - i) DENSITY (LBS./CU. FT)-AIR RISE 6.0 MIN.
TENSILE STRENGTH (PSI) ASTM D 1623 100 MIN.
ELONGATION (%) 5.1
COMPRESSIVE STRENGTH (PSI) ASTM D 1621 (AT YIELD 100 MIN.
VOLUME CHANGE (% OF ORIGINAL) 0
THE MANUFACTURER SHALL PROVIDE DOCUMENTATION THAT THE LOT(S) OF FOAM MEETS THE SPECIFIED PROPERTIES. MANUFACTURER'S CERTIFICATION SHALL LIST LOT NUMBER(S) AND DOCUMENTATION OF COMPLIANCE WITH THE SPECIFICATION.
 - ii) THE MAXIMUM THICKNESS OF THE HIGH DENSITY FOAM SHALL BE 1 INCH.
13. HARDWARE GROUT/ADHESIVES
 - A. FOR DOWEL BAR RETROFITS OR INSERTIONS, FOR THE FILLING OF ANY GROUT PORT HOLES USED FOR HIGH DENSITY FOAM INJECTIONS, FOR THE FILLING OF DOWEL SLOTS AND FOR THE FILLING OF RECESSED LIFTING DEVICES, THE BACKFILL MATERIAL SHALL BE:
 - 1) FIVE STAR HIGHWAY PATCH AS MANUFACTURED BY FIVE STAR PRODUCTS INC. FAIRFIELD, CONNECTICUT.
 - 2) HIGHWAY DB RETROFIT MORTAR AS MANUFACTURED BY DAYTON SUPERIOR, MIAMISBURG, OHIO.
 - 3) AN ILLINOIS TOLLWAY APPROVED EQUIVALENT THAT HAS BEEN TESTED AS A RAPID SET CONCRETE PATCHING MATERIAL PER THE AASHTO NATIONAL TRANSPORTATION PRODUCT EVALUATION PROGRAM (NTPPEP), WHICH CONFORMS TO ASTM C 928. THE GROUT MATERIAL IS REQUIRED TO PROVIDE A COMPRESSIVE STRENGTH OF 4,000 PSI IN 24 HOURS (OPENING TO TRAFFIC AFTER 3,000 PSI) PER ASTM C 39, EXHIBITS EXPANSION OF LESS THAN 0.10 PERCENT PER ASTM C 531, AND HAS A CALCULATED DURABILITY FACTOR OF 90.0 PERCENT MINIMUM AT THE END OF 300 FREEZE-THAW CYCLES PER ASTM C 666. THE PROPOSED MATERIAL SHALL BE SUBMITTED TO THE ENGINEER FOR APPROVAL PRIOR TO ANY PLACEMENT.
 - B. FOR TIE BAR STITCHING AN APPROVED CHEMICAL ADHESIVE IN ACCORDANCE WITH ARTICLE 1027.01 OF THE STANDARD SPECIFICATIONS SHALL BE USED AS THE ANCHORING MATERIAL FOR STITCHED TIE BARS.
 - C. FOR DOWEL BAR INSERTIONS, AN APPROVED CHEMICAL ADHESIVE OR EPOXY IN ACCORDANCE WITH ARTICLE 1027.01 OF THE STANDARD SPECIFICATIONS SHALL BE USED WITH PLACEMENT IN ACCORDANCE WITH ARTICLE 442.06 (d)(2) OF THE STANDARD SPECIFICATIONS WITH RETENTION DISCS OR WASHERS PLACED AGAINST THE FACE OF THE SLAB.

14. EPOXY COATED DOWEL BARS SHALL COMPLY WITH THE REQUIREMENTS OF ARTICLE 1006.06 (b) OF THE STANDARD SPECIFICATIONS. ANY ADDITIONAL MATERIAL REQUIRED FOR DOWEL BAR RETROFITTING SHALL BE IN ACCORDANCE WITH THE ILLINOIS TOLLWAY SPECIAL PROVISION FOR "DOWEL BAR RETROFIT".
15. EPOXY COATED TIE BARS FOR STITCHING SHALL COMPLY WITH THE REQUIREMENTS OF ARTICLE 1006.10 OF THE STANDARD SPECIFICATIONS.
16. THE BACKER ROD USED AS A SEAL RESERVOIR GASKET AROUND THE PERIMETER OF A SLAB, NEAR THE TOP OF THE JOINTS, SHALL BE A CLOSED-CELL, PLASTIC FOAM ROD COMPATIBLE WITH THE SEALANT AND THE ELEVATED TEMPERATURES OF FINAL JOINT SEALANT APPLICATION. A CLOSED CELL PLASTIC FOAM BACKER ROD OF 3/8" DIAMETER SHALL BE PINNED OR NAILED TO THE FINISHED BASE AROUND THE PERIMETER OF EACH OPENING BEFORE THE PANELS ARE SET.

EQUIPMENT:

17. FOR BASE PREPARATION, A MECHANICALLY-CONTROLLED SCREEDING DEVICE OR STRAIGHTEDGE DEVICE CAPABLE OF GRADING FULLY COMPACTED FINE AGGREGATE USED AS THE LEVELING SAND TO A TOLERANCE OF 1/8 INCH PER 6 FT. LENGTHS OF PLACEMENT.
18. CHIPPING HAMMERS SHALL BE HAND HELD AND HAVE A MAXIMUM WEIGHT OF 30 LBS. PRIOR TO ANY HANDLE MODIFICATION WHERE APPLICABLE.
19. WITH ANY FIELD RETROFITTING OF DOWEL BARS, A TEMPLATE SHALL BE ROUTINELY USED FOR ALL STANDARD SLABS IN ORDER TO LOCATE AND ALIGN THE SAWCUTS CONSISTENTLY. EITHER SINGLE DIAMOND BLADED SAWS OR DIAMOND BLADED GANG SAWS SHALL BE USED TO MAKE SAW CUTS PERPENDICULAR TO THE TRANSVERSE (NON-SKEWED) JOINT LINE TO ALLOW FOR DOWEL BAR PLACEMENTS WITHIN THE FOLLOWING TOLERANCES:
 - ± 1/2" OF THE MIDDLE OF THE CONCRETE SLAB DEPTH.
 - ± 1/2" OF BEING CENTERED OVER THE TRANSVERSE JOINT
 - ± 1/4" FROM PARALLEL TO THE CENTERLINE OVER 12 INCHES OF THE BAR
 - ± 1/4" FROM PARALLEL TO THE ROADWAY SURFACE OVER 12 INCHES OF THE BARSAWCUTS SAWED ACROSS SKEWED JOINTS SHOULD ALLOW EQUAL LENGTH OF THE DOWEL BAR TO BE PLACED ACROSS THE TRANSVERSE JOINT. THE ALIGNMENT OF SAWCUTS MUST BE PARALLEL TO THE ROADWAY CENTERLINE, REGARDLESS OF TRANSVERSE JOINT SKEW.

SHEET 9 OF 19



PRECAST PAVEMENT SLABS

STANDARD A18-03

Paul Kovacs
APPROVED CHIEF ENGINEER DATE 5-1-2009

INSTALLATION GENERAL NOTES

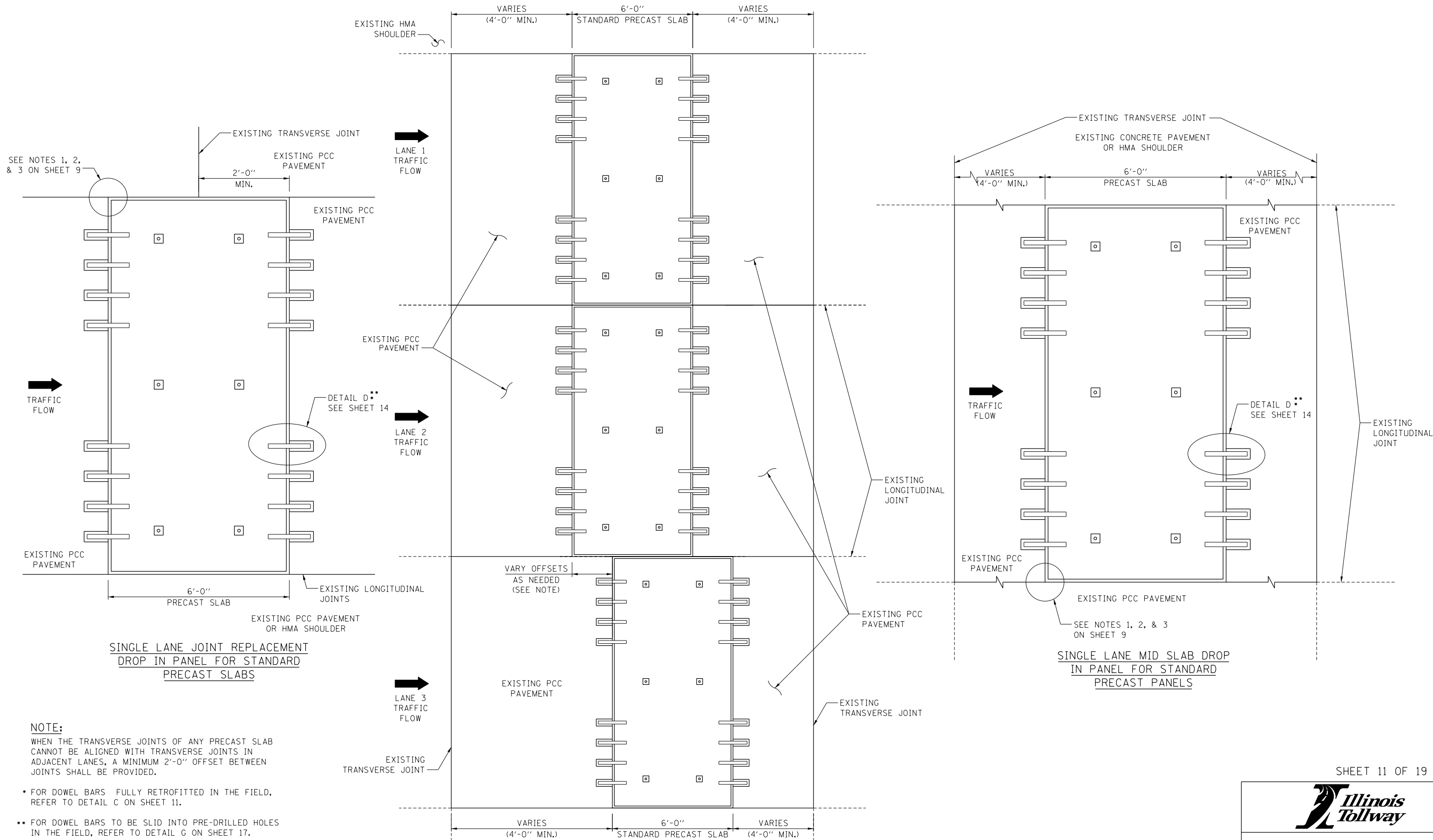
20. WITH ANY FIELD INSERTIONS OF DOWEL BARS INTO PREDRILLED HOLES, THE DRILLING MACHINE SHALL BE IN ACCORDANCE WITH ARTICLE 442.03(g) OF THE STANDARD SPECIFICATIONS. HAND HELD DRILLING TOOLS WILL NOT BE ALLOWED.
21. THE COMPRESSOR FOR AIR BLASTING SHALL HAVE A MINIMUM CAPACITY OF 120 CFM. THE COMPRESSED AIR SHALL BE FREE FROM OIL AND OTHER CONTAMINANTS.
22. CONSOLIDATION EQUIPMENT USED TO CONSOLIDATE THE CONCRETE REPAIR MATERIAL IN THE RETROFITTED DOWEL BAR SLOTS SHALL BE INTERNAL VIBRATORS WITH A MAXIMUM DIAMETER OF 1 INCH AND SHALL HAVE A RESILIENT COVERING THAT WILL NOT DAMAGE THE EPOXY COATED REINFORCEMENT DURING USE. ANY VIBRATORS OR RODS USED FOR CONSOLIDATION OF THE REPAIR MATERIAL FOR NARROW MOUTH SLOTS SHALL HAVE A DIAMETER OF LESS THAN 1 INCH.
23. BATCHING EQUIPMENT FOR FLOWABLE FILL SHALL HAVE DEVICES DESIGNED TO MEASURE THE SPECIFIED QUANTITIES OF EACH COMPONENT MATERIAL, AND MIXING SHALL BE OF SUFFICIENT DURATION TO INSURE UNIFORM CONSISTENCY OF THE MIXTURE. NO WATER WILL BE ADDED TO THE FLOWABLE FILL MIXTURE AFTER BATCHING. WATER CONTENT SHALL BE MAINTAINED SUCH THAT COMPRESSIVE STRENGTHS ARE ACHIEVED AND A UNIFORM, FLOWABLE MIXTURE IS DEVELOPED THAT IS ESSENTIALLY SELF-LEVELING WHEN PLACED.
24. EQUIPMENT FOR HIGH-DENSITY FOAM INJECTION SHALL INCLUDE A TRUCK MOUNTED PUMPING UNIT CAPABLE OF INJECTING THE POLYURETHANE BETWEEN THE CONCRETE AND THE SLAB SUBBASE. THE PUMP SHALL BE CAPABLE OF CONTROLLING THE RATE OF RISE OF THE PAVEMENT SLAB. A LEVELING UNIT SHALL BE PROVIDED TO ENSURE THE SLABS ARE RAISED TO AN EVEN PLANE, WITH VERTICAL ELEVATION DIFFERENCE ACROSS ANY CORNER NOT TO EXCEED 1/4 INCH.
25. EQUIPMENT FOR MIXING AND PUMPING ANY GROUT/ADHESIVE MATERIALS FOR BEDDING THE SLABS, RETROFITTING DOWEL BARS, OR CROSS STITCHING TIE BARS SHALL BE IN ACCORDANCE WITH THE MATERIAL MANUFACTURER'S INSTRUCTIONS AND THE SPECIFICATIONS.

REMOVAL/INSTALLATION:

26. PERIMETER SAWCUTTING OF THE REMOVAL AREA AND SAWCUTTING OF THE DOWEL BAR SLOTS SHALL NOT BE CARRIED OUT MORE THAN (1) WEEK IN ADVANCE OF THE EXPECTED DATE OF REPAIR. THE CONTRACTOR SHALL USE A TEMPLATE TO PRECISELY DELINEATE THE LIMITS OF THE AREAS TO BE REPAIRED AS DEFINED ON THE CONTRACT DOCUMENTS AND APPROVED SHOP DRAWINGS. WITHIN A TOLERANCE OF 1/2 INCH, REPAIRS SHALL BE NO LESS THAN THE FULL WIDTH OF A LANE AND THE FULL DEPTH OF CONCRETE.
27. REMOVAL OF EXISTING PAVEMENT SHALL BE IN ACCORDANCE WITH SECTION 440 OF THE STANDARD SPECIFICATIONS EXCEPT AS FOLLOWS:
 - A. THE OUTER LIMITS OF THE REPAIR AREA WILL BE SAWCUT FULL DEPTH AND SHALL NOT EXTEND (OVERCUT) BY MORE THAN 10 INCHES INTO THE ADJACENT CONCRETE THAT IS TO REMAIN IN PLACE. OVERCUTS SHALL BE FILLED WITH A PRODUCT ACCEPTABLE TO THE ILLINOIS TOLLWAY. THE OUTER LIMITS FOR REPAIR SHALL BE MARKED OUT BY THE CONTRACTOR AND APPROVED BY THE ENGINEER PRIOR TO ANY SAWCUTTING.
 - B. REMOVAL OF CONCRETE WITHIN THE PERIMETER SAWCUTS SHALL BE BY THE LIFTOUT METHOD, AND CONCRETE BETWEEN SAWCUTS FOR DOWEL BAR RETROFITS SHALL BE REMOVED USING JACKHAMMER AND HAND TOOLS. THE CONTRACTOR SHALL ENSURE THAT REMOVALS ARE CARRIED OUT WITHOUT DAMAGING THE ADJACENT CONCRETE PAVEMENT OR ASPHALT SHOULDER OR DISTURBING THE UNDERLYING BASE. HEAVY BREAKING EQUIPMENT SUCH AS HOE RAMS SHALL NOT BE USED IN THE REMOVAL OPERATION. THE CONCRETE PAVEMENT SHALL NOT BE BROKEN IN PLACE.
 - C. IF DURING THE REMOVAL PROCESS THE ADJACENT CONCRETE IN THE SAME LANE OR IN AN ADJACENT LANE THAT CAN ONLY BE REPAIRED DURING NIGHT TIME LANE CLOSURES, IS DAMAGED OR CRACKED DUE TO THE CONTRACTOR'S REMOVAL PROCEDURE, THE DAMAGED AREA SHALL BE CUT BACK FULL DEPTH TO SOUND CONCRETE AND REPLACED WITH PRECAST SLABS AT NO ADDITIONAL COST TO THE ILLINOIS TOLLWAY. IF CONCRETE IN THE ADJOINING LANE IS DAMAGED DURING THE REMOVAL PROCESS AND WEEKEND REPAIRS ARE POSSIBLE, THE DAMAGED CONCRETE SHALL BE REPAIRED IN ACCORDANCE SECTION 442 OF THE STANDARD SPECIFICATIONS AT NO ADDITIONAL COST TO THE ILLINOIS TOLLWAY. ASPHALT SHOULDER DAMAGED DURING THE REMOVAL PROCESS SHALL BE REPAIRED AT NO ADDITIONAL COST TO THE ILLINOIS TOLLWAY. THE CONTRACTOR SHALL PROVIDE A PROPOSAL FOR REPAIRS TO THE ILLINOIS TOLLWAY FOR APPROVAL.
 - D. DISPOSAL OF EXCAVATED MATERIALS FROM THE REMOVAL OF CONCRETE AND FROM ANY BASE COURSE RESTORATION SHALL BE IN ACCORDANCE WITH THE APPLICABLE PORTIONS OF ARTICLE 202.03 OF THE STANDARD SPECIFICATIONS AT NO ADDITIONAL COST TO THE ILLINOIS TOLLWAY.
 - E. ALL SLURRY FROM SAW CUTTING OPERATIONS SHALL BE THOROUGHLY SCRAPED AND REMOVED FROM THE PAVEMENT SURFACE BEFORE THE PAVEMENT IS OPENED TO TRAFFIC. DISPOSAL OF SLURRY SHALL BE IN ACCORDANCE WITH ARTICLE 202.03 OF THE STANDARD SPECIFICATIONS AT NO ADDITIONAL COST TO THE ILLINOIS TOLLWAY.
28. IF THE ENGINEER DETERMINES THAT THE EXISTING GRANULAR SUBBASE IS UNSUITABLE FOR THE INTENDED PURPOSE, THE CONTRACTOR SHALL REMOVE THE UNSUITABLE MATERIAL IN THE PAVEMENT REMOVAL AREAS TO THE DEPTH SPECIFIED BY THE ENGINEER AND NO LESS THAN 2 INCHES. THE MATERIAL REMOVED SHALL BE REPLACED WITH AN EQUAL THICKNESS OF NEW MATERIAL PLACED AND COMPACTED IN ACCORDANCE WITH THE REQUIREMENTS OF THE ILLINOIS TOLLWAY SPECIAL PROVISION FOR "AGGREGATE FOR BASE COURSE RESTORATION, SPECIAL".
29. LEVELING MATERIAL PLACED BEFORE SLAB INSTALLATION SHALL BE EITHER A FLOWABLE FILL OR A FINE AGGREGATE MEETING THE REQUIREMENTS OF THIS CONTRACT DOCUMENT. FLOWABLE FILL SHALL BE USED AS A LEVELING MATERIAL ONLY ON TANGENT PAVEMENT SECTIONS. GRADE CONTROL SHALL BE ESTABLISHED FOR ALL LEVELING MATERIAL USING STRINGLINES, LASER GUIDANCE, OR OTHER APPROVED METHODS. THE TEMPERATURE OF THE FLOWABLE FILL MIXTURE AS MANUFACTURED AND DELIVERED SHALL BE AT LEAST 50° F. NONFLOWABLE FILL WILL BE ALLOWED IF THE ANTICIPATED AIR TEMPERATURE WILL BE 36° F OR LESS WITHIN 24 HOURS OF SLAB PLACEMENT. THE FLOWABLE FILL MUST OBTAIN FINAL SET BEFORE THE PAVEMENT MAY BE OPENED TO TRAFFIC.
30. WHEN FLOWABLE FILL IS USED AS THE LEVELING MATERIAL WITH SLAB INSTALLATION, A PERIMETER BACKER ROD WILL NOT BE REQUIRED AROUND THE PERIMETER OF THE SLAB.
31. LEVELING MATERIAL PLACED IMMEDIATELY AFTER SLAB INSTALLATION SHALL ONLY BE A HIGH-DENSITY POLYURETHANE FOAM MEETING THE REQUIREMENTS OF THIS CONTRACT DOCUMENT. PLACEMENT OF POLYURETHANE FOAM SHALL FILL ALL VOIDS BENEATH THE PRECAST PANELS THAT MAY BE PRESENT AFTER PLACING THE PANELS OVER THE PREPARED SUBBASE AND LEVELING AGGREGATE. PLACEMENT OF THE POLYURETHANE SHALL UTILIZE THE UNDERSLAB GROUT PORT HOLES AS SHOWN ON THE PLANS. THE PORT HOLES ARE TO BE FILLED WITH THE DOWEL BAR BACKFILLING MATERIAL.
32. FOLLOWING PROPER REMOVAL OF EXISTING PAVEMENTS AND ACCEPTABLE BASE PREPARATION/LEVELING, THE CONTRACTOR SHALL HAVE ALL EQUIPMENT REQUIRED FOR PANEL INSTALLATION ON-SITE PRIOR TO BEGINNING PANEL INSTALLATION. LIFTING AND TRANSPORTING EQUIPMENT SHALL NOT DAMAGE THE PREPARED SUBBASE/LEVELING MATERIALS PRIOR TO OR DURING PANEL INSTALLATION. PRIOR TO SLAB INSTALLATION, ALL VERTICAL SURFACES OF SURROUNDING PAVEMENT SHALL BE COATED WITH A BOND BREAKER SUCH AS FORM OIL OR A CURING COMPOUND.
33. PANELS SHALL BE INSTALLED ONE AT A TIME, AND SHALL BE INSTALLED IN SUCH A MANNER THAT THE SUBBASE/LEVELING MATERIAL OR ANY REMAINING PAVEMENT IS NOT DAMAGED DURING INSTALLATION. DURING PLACEMENT OF THE SLABS, USE TIE OFF ROPES TO AVOID CHIPPING OR SPALLING EDGES OF THE PRECAST UNITS. USE WOOD SHIMS OR WEDGES TO GUIDE THE SLAB INTO THE CORRECT POSITION. THE USE OF STEEL PRY BARS THAT CHIP EDGES SHOULD BE AVOIDED.
34. IMMEDIATELY AFTER THE SLAB HAS BEEN SET AND LEVELED, SURVEY THE VERTICAL ELEVATION ACROSS ALL CORNERS TO VERIFY THAT THE VERTICAL DIFFERENCE BETWEEN ADJACENT SLABS ACROSS ANY CORNER DOES NOT EXCEED 1/4 INCH. IF THE DIFFERENCE EXCEEDS 1/4 INCH, THEN THE SLAB SHALL BE REMOVED AND RESET OR THE SURFACE SHALL RECEIVE A CORRECTIVE DIAMOND GRIND AT NO ADDITIONAL COST TO THE ILLINOIS TOLLWAY AFTER ANY REQUIRED BEDDING GROUT OR LEVELING MATERIAL HAS BEEN PLACED UNLESS COMPLETE PROFILE DIAMOND GRINDING OF THE ENTIRE PAVEMENT IS INCLUDED IN THE CONTRACT.
35. NO CUSTOM SLAB GREATER THAN 6 FT. IN LONGITUDINAL LENGTH SHALL BE SET AND OPENED TO TRAFFIC BEFORE GROUTING IS COMPLETE UNLESS THE SLAB WAS FABRICATED WITH TWO MATS OF STEEL REINFORCEMENT IN ACCORDANCE WITH THE DESIGN REQUIREMENTS SHOWN ON SHEETS 2 AND 3. IF THE SET PRECAST SLAB IS OPENED TO TRAFFIC BEFORE THE SLAB IS DOWEL RETROFITTED, TIE BAR STITCHED, OR UNDERSLAB GROUTED, PLACE INCOMPRESSIBLE SHIMS APPROVED BY THE ENGINEER DURING INSTALLATION IN EACH TRANSVERSE AND LONGITUDINAL JOINT TO CORRECT AND MAINTAIN HORIZONTAL ALIGNMENT OF THE SLABS. THE TOTAL THICKNESS OF SHIMS USED IN ANY JOINT SHALL BE NO MORE THAN 3/8 INCH. BACKFILL MATERIAL MUST BE PLACED WITHIN THREE DAYS OF EACH SLAB'S PLACEMENT. BEFORE OPENING A NON-GROUTED SLAB TO TRAFFIC, BACKFILL THE ASPHALT SHOULDERS TO MAINTAIN HORIZONTAL ALIGNMENT. ANY WIDE MOUTH DOWEL SLOTS LEFT OPEN BEFORE THE SLAB IS OPENED TO TRAFFIC SHALL BE TEMPORARILY FILLED WITH A COMPRESSION SEAL APPROVED BY THE ENGINEER TO WITHIN 1 INCH OF THE PAVEMENT SURFACE. ANY NARROW MOUTH DOWEL SLOTS MAY BE LEFT OPEN AFTER THE SLAB IS OPENED TO TRAFFIC.
36. PRIOR TO DOWEL BAR PLACEMENT, THE TRANSVERSE JOINT SHALL BE CAULKED WITH A SILICONE SEALANT AT THE BOTTOM AND SIDES OF THE SLOT. THE CAULKING FILLER SHOULD NOT BE PLACED ANY FARTHER THAN 1/2 INCH OUTSIDE EITHER SIDE OF THE JOINT, AND APPLIED SUFFICIENTLY TO PREVENT ANY PATCHING MATERIAL FROM ENTERING THE JOINT AT THE BOTTOM OR SIDES OF THE SLOT. EXCESSIVE SEALANT AROUND THE SLOT DOES NOT ALLOW THE CONCRETE PATCHING MATERIAL TO BOND TO THE SIDES OF THE SLOT. BEFORE PLACEMENT, THE DOWEL BARS SHOULD BE LIGHTLY COATED WITH PARTING COMPOUND AND FULLY RETROFITTED DOWEL BARS PLACED ON A CHAIR THAT WILL PROVIDE A MINIMUM 1/2 INCH CLEARANCE BETWEEN THE BOTTOM OF THE DOWEL AND THE BOTTOM OF THE SLOT. FOR ANY DOWEL BARS INSERTED INTO PREDRILLED EPOXIED HOLES, AN APPARATUS CAPABLE OF MAINTAINING VERTICAL ALIGNMENT OF THE DOWEL AND TO PROVIDE A MINIMUM 1/2 INCH CLEARANCE BETWEEN THE BOTTOM OF THE DOWEL AND THE BOTTOM OF THE SLOT SHALL BE PROVIDED BY THE CONTRACTOR. A 3/8 INCH THICK FOAM INSERT SHOULD BE PLACED AT THE MIDDLE OF THE DOWEL TO MAINTAIN THE TRANSVERSE JOINT. THE FOAM INSERT SHOULD FIT TIGHTLY AROUND THE DOWEL, THE BOTTOM, AND THE EDGES OF THE SLOT, AND BE UP TO THE SURFACE OF THE EXISTING CONCRETE SURFACE. THE FOAM INSERT SHOULD BE CAPABLE OF REMAINING IN A VERTICAL POSITION AND HELD TIGHTLY TO ALL EDGES DURING PLACEMENT OF THE PATCH. IF FOR ANY REASON THE FOAM INSERT SHIFT DURING PLACEMENT OF THE CONCRETE PATCHING MATERIAL, THE WORK SHALL BE REJECTED AND REDONE AT NO ADDITIONAL COST TO THE ILLINOIS TOLLWAY.
37. PLACEMENT OF HARDWARE GROUT/ADHESIVES
 - A. DOWEL BARS - THE PLACEMENT OF ANY APPROVED BACKFILL MATERIAL FOR DOWEL BAR RETROFITTING OR FOR DOWEL BAR INSERTIONS SHALL BE IN ACCORDANCE WITH THE ILLINOIS TOLLWAY SPECIAL PROVISION FOR "DOWEL BAR RETROFIT". THE PAVEMENT WILL NOT BE OPENED TO TRAFFIC UNTIL THE BACKFILL MATERIAL AROUND THE PAVEMENT HARDWARE OBTAINS 3,000 PSI COMPRESSIVE STRENGTH. ALL CONCRETE SURFACES WITHIN THE SLOT SHALL BE SOLID, FREE FROM LOOSE OR UNSOUND FRAGMENTS. BEFORE GROUTING, SANDBLAST ALL EXPOSED SURFACES IN THE DOWEL BAR SLOT FOLLOWED BY AIR BLASTING TO REMOVE ANY DUST, RESIDUE OR DEBRIS LEFT IN THE SLOT. UPON COMPLETION OF THE RETROFITTING WORK, THE GROUT OR CONCRETE PATCH MATERIAL SHALL FILL ALL SLOTS TO THE SURFACE OF THE EXISTING PAVEMENTS. ANY SLOTS INSUFFICIENTLY FILLED BELOW EXISTING PAVEMENT SURFACES SHALL BE REDONE AT NO ADDITIONAL COST TO THE ILLINOIS TOLLWAY.
 - B. TIE BARS - A FOAM BOARD GASKET SHALL BE INSERTED INTO THE LONGITUDINAL JOINT AT THE STITCHING LOCATION AND THE TIEBAR HOLE PREDRILLED THROUGH THE GASKET. AFTER PREDRILLED HOLES ARE AIR BLASTED, PRESSURE INJECT THE APPROVED ADHESIVE INTO THE PREDRILLED HOLES, LEAVING SOME VOLUME FOR THE BAR TO OCCUPY THE HOLE. INSERT THE TIEBAR INTO THE HOLE, LEAVING ABOUT 1 INCH FROM THE TOP OF THE TIE BAR TO THE PAVEMENT SURFACE. REMOVE EXCESS ADHESIVE AND FINISH FLUSH WITH THE PAVEMENT SURFACE.
 - C. FILL LIFTING INSERT HOLES AND GROUT PORTS WITH THE APPROVED GROUT USED FOR DOWEL BAR RETROFITTING.
38. PLACEMENT OF UNDERSEALING GROUT SHALL FILL ALL VOIDS BENEATH THE PRECAST PANELS AND GROUT PORT HOLES THAT MAY BE PRESENT AFTER PLACING THE PANELS OVER THE PREPARED SUBBASE AND LEVELING AGGREGATE. PLACEMENT OF THE UNDERSEALING GROUT SHALL UTILIZE THE UNDERSLAB GROUT PORT HOLES AS SHOWN ON THE PLANS. PLACEMENT OF UNDERSEALING GROUT SHALL NOT OCCUR UNTIL AFTER ALL HARDWARE DEVICES ARE PLACED AND GROUTED. IF UNDERSEALING GROUT FILLS ANY LONGITUDINAL JOINT TO WITHIN 9" OF THE SLAB SURFACE, A 9" SAW CUT OF THE JOINT SHALL BE REQUIRED DURING INSTALLATION. IF UNDERSEALING GROUT FILLS ANY TRANSVERSE JOINT TO WITHIN 9" OF THE SLAB SURFACE, THEN A 9" SAW CUT OF THE JOINT SHALL BE REQUIRED FOLLOWED BY REMOVAL AND FULL RETROFITTING OF ALL SEVERED DOWEL BARS ACROSS THE JOINT.
39. AFTER INSTALLATION AND GROUTING IS COMPLETED ALL LONGITUDINAL AND TRANSVERSE JOINTS SHALL BE SEALED IN ACCORDANCE WITH ARTICLE 420.12 OF THE STANDARD SPECIFICATIONS. REFER TO ILLINOIS TOLLWAY STANDARD DRAWING A1, DETAIL A.



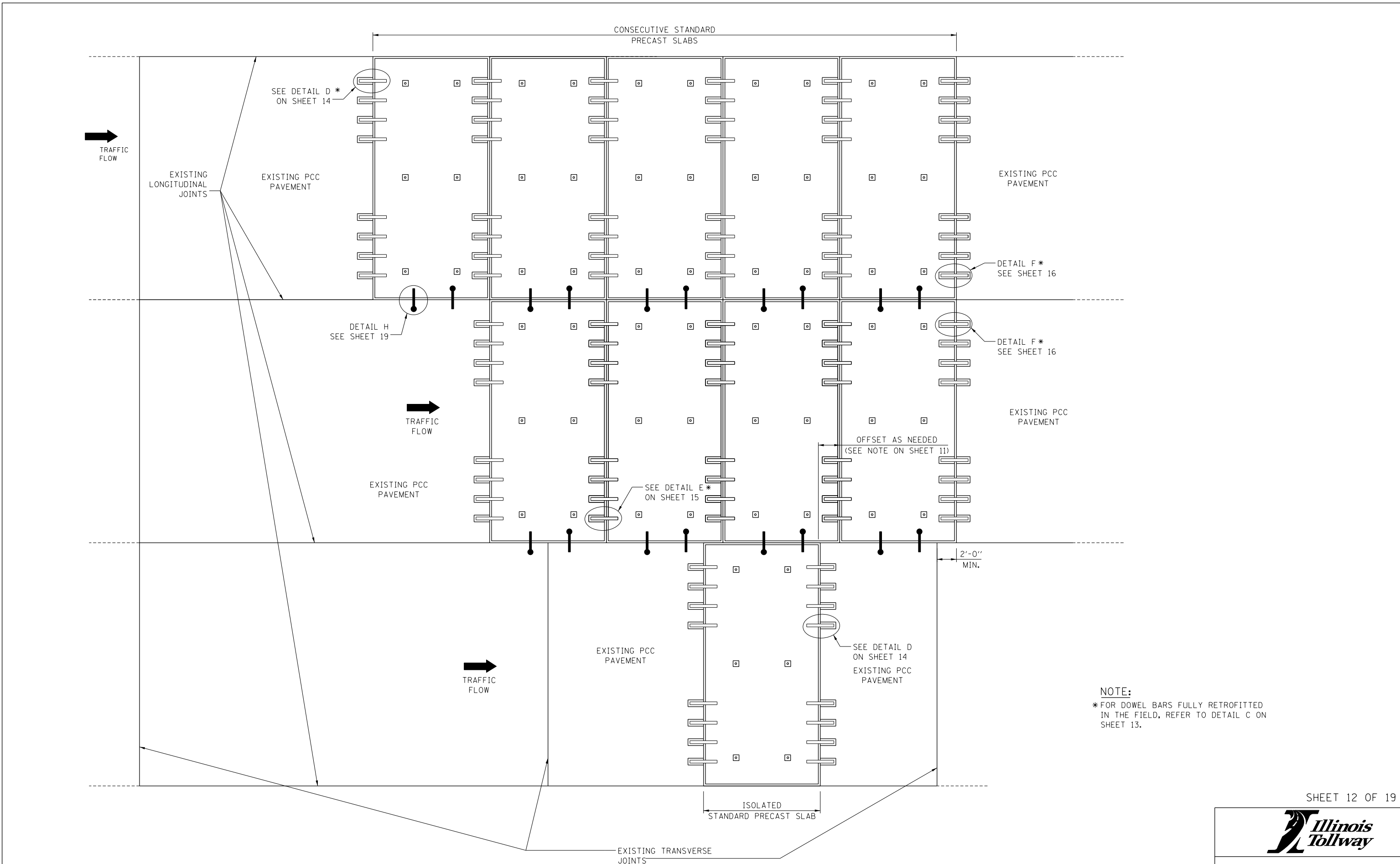
INSTALLATION OF ISOLATED STANDARD PRECAST SLABS



NOTE:
 WHEN THE TRANSVERSE JOINTS OF ANY PRECAST SLAB CANNOT BE ALIGNED WITH TRANSVERSE JOINTS IN ADJACENT LANES, A MINIMUM 2'-0" OFFSET BETWEEN JOINTS SHALL BE PROVIDED.


- FOR DOWEL BARS FULLY RETROFITTED IN THE FIELD, REFER TO DETAIL C ON SHEET 11.
- FOR DOWEL BARS TO BE SLID INTO PRE-DRILLED HOLES IN THE FIELD, REFER TO DETAIL G ON SHEET 17.

Paul Kovacs
 APPROVED..... CHIEF ENGINEER..... DATE 5-1-2009.....

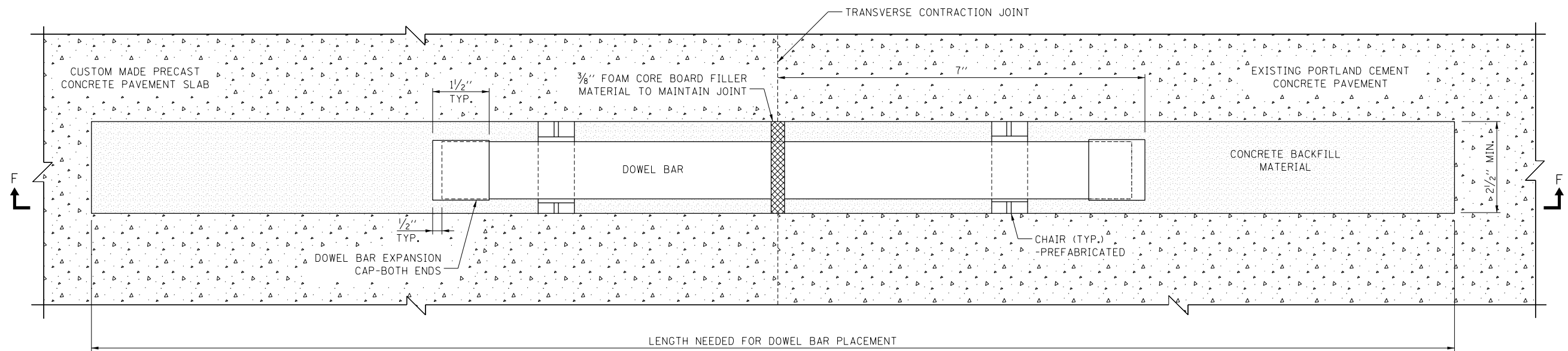


PRECAST PAVEMENT SLABS

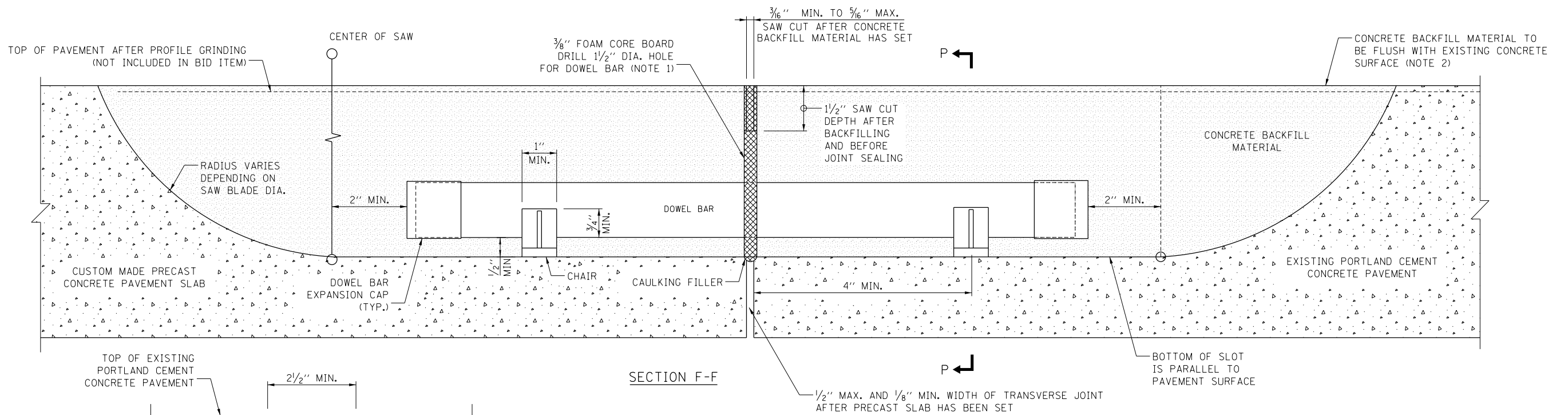
STANDARD A18-03


 APPROVED..... CHIEF ENGINEER..... DATE 5-1-2009.....

INSTALLATION OF CONSECUTIVE STANDARD PRECAST SLABS

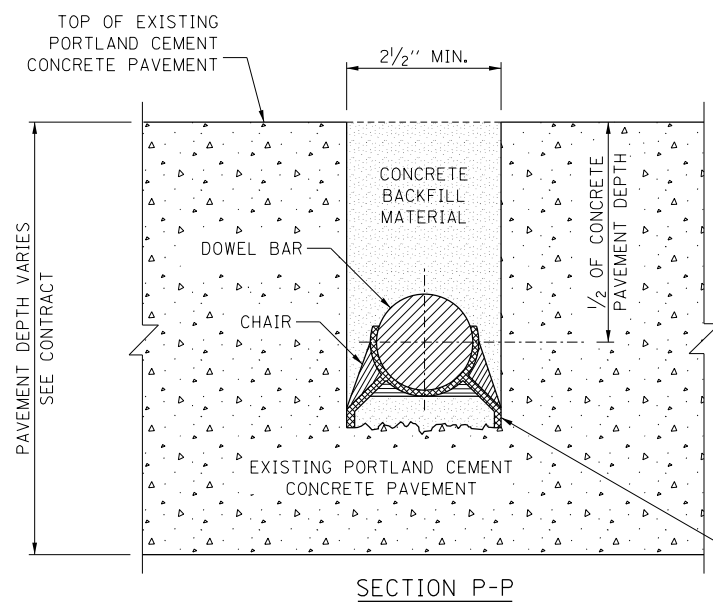


PLAN VIEW

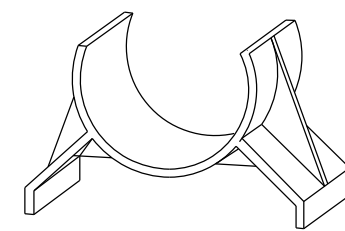


SECTION F-F

DETAIL-C, WIDE MOUTH DOWEL BAR PLACEMENT DETAIL FOR ALL CUSTOM MADE PRECAST PANELS AND OPTIONAL FOR STANDARD SLABS



SECTION P-P

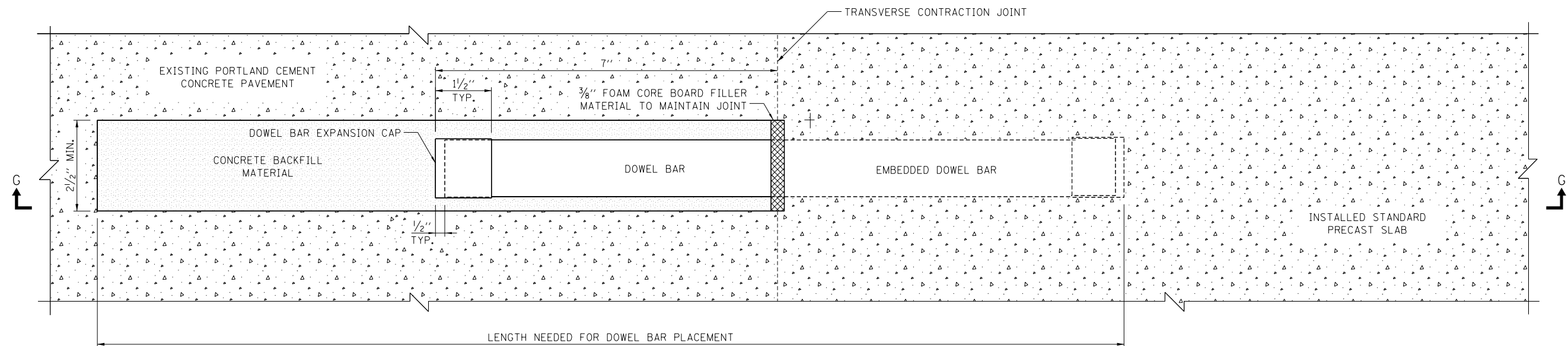


CHAIR DETAIL

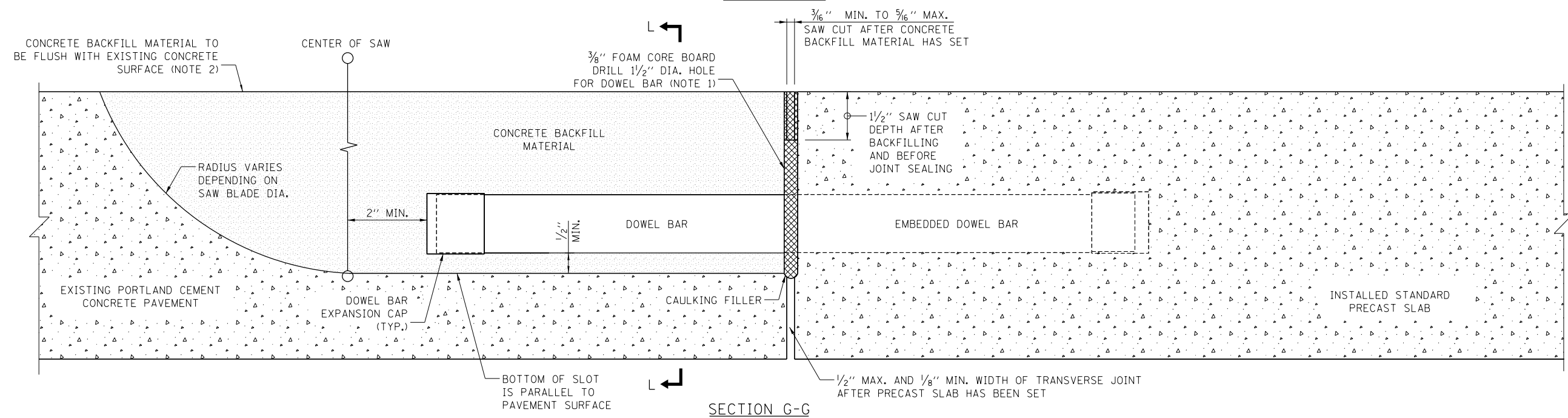
NOTES:

1. PLACE FOAM CORE BOARDS TO THE TOP OF PATCH.
2. UPON COMPLETION, THE FINISHED SURFACE OF THE CONCRETE BACKFILL MATERIAL SHALL NOT BE BELOW EXISTING CONCRETE SURFACE.

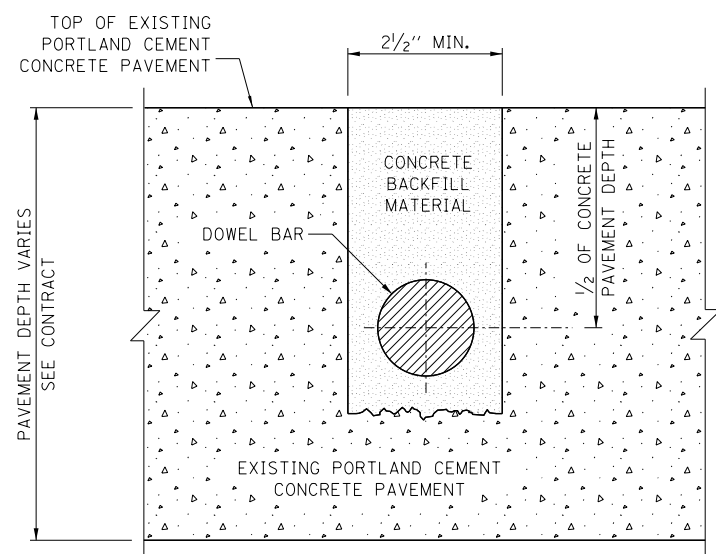




PLAN VIEW



SECTION G-G



SECTION L-L

DETAIL D - WIDE MOUTH DOWEL BAR PLACEMENT

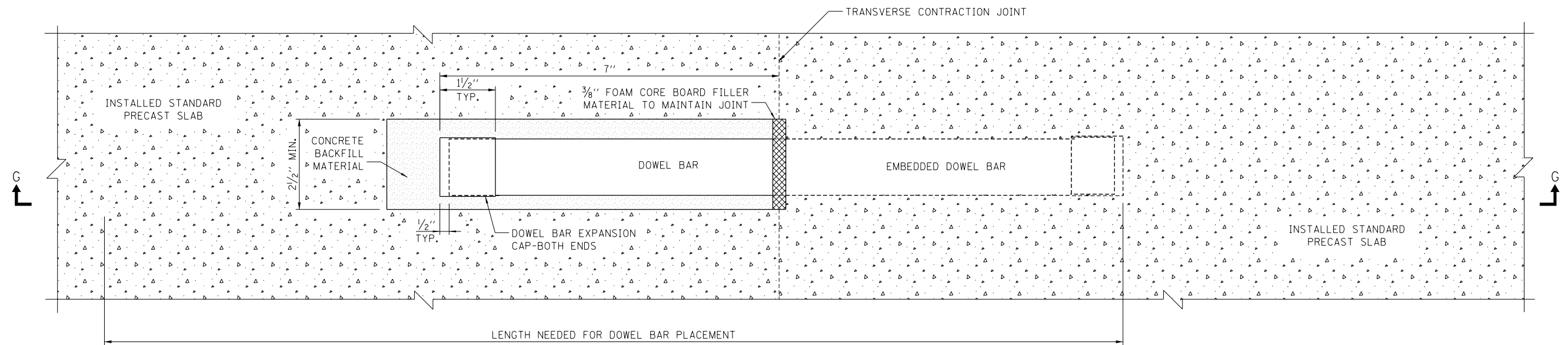
DETAIL FOR STANDARD PRECAST PANELS

(FOR APPLICATION WITH ALL ISOLATED STANDARD SLABS AND WITH INITIAL PLACEMENT OF CONSECUTIVE STANDARD SLABS)

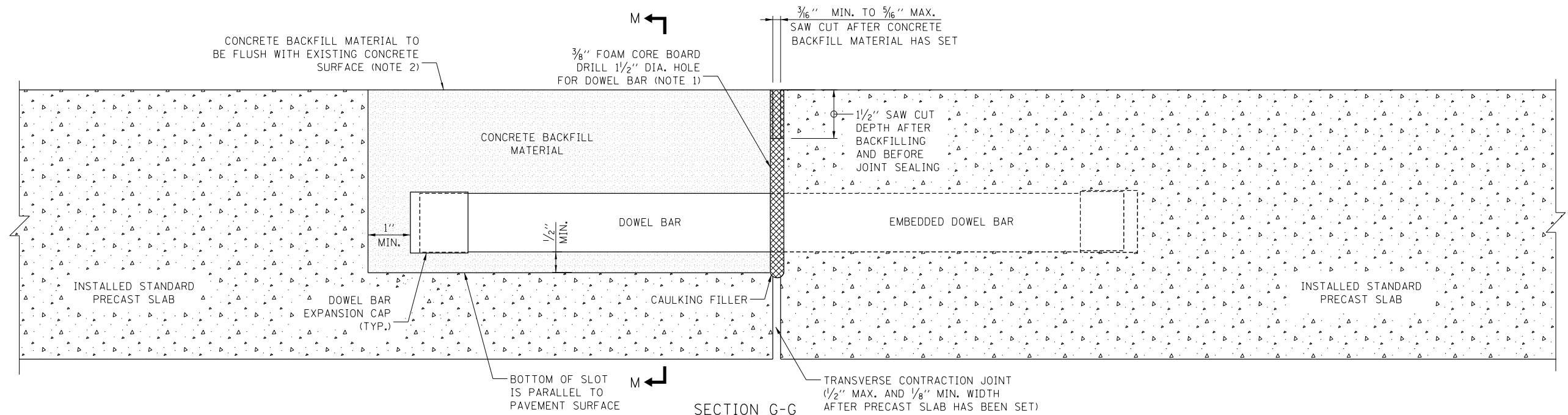
NOTES:

1. PLACE FOAM CORE BOARDS TO THE TOP OF PATCH.
2. UPON COMPLETION, THE FINISHED SURFACE OF THE CONCRETE BACKFILL MATERIAL SHALL NOT BE BELOW EXISTING CONCRETE SURFACE.

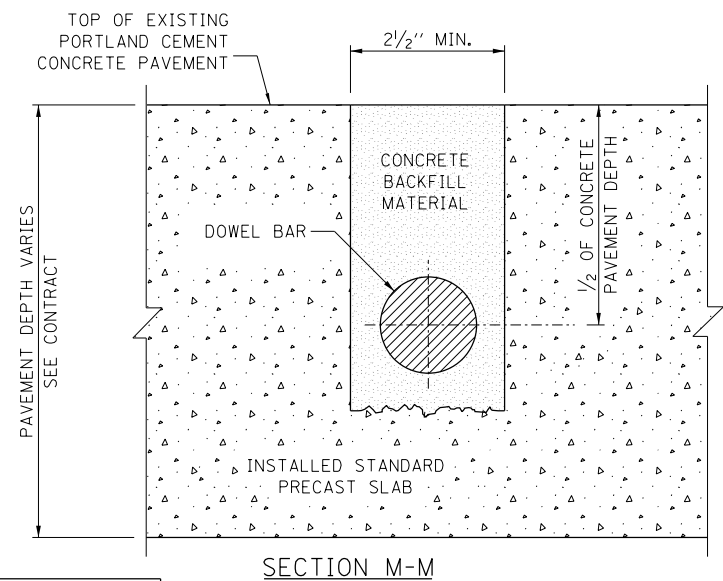




PLAN VIEW



SECTION G-G



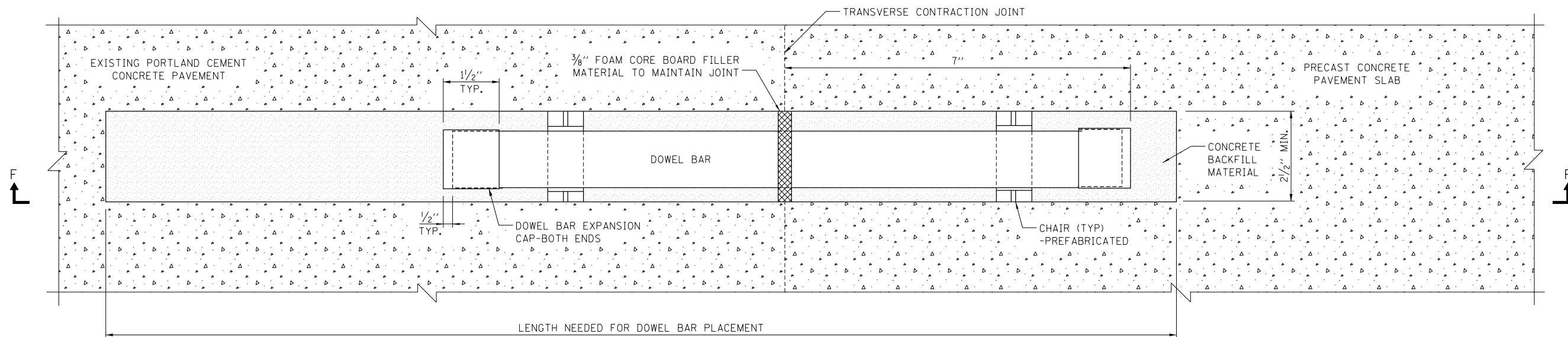
SECTION M-M

DETAIL E - WIDE MOUTH DOWEL BAR PLACEMENT DETAIL FOR CONSECUTIVE STANDARD PRECAST PANELS

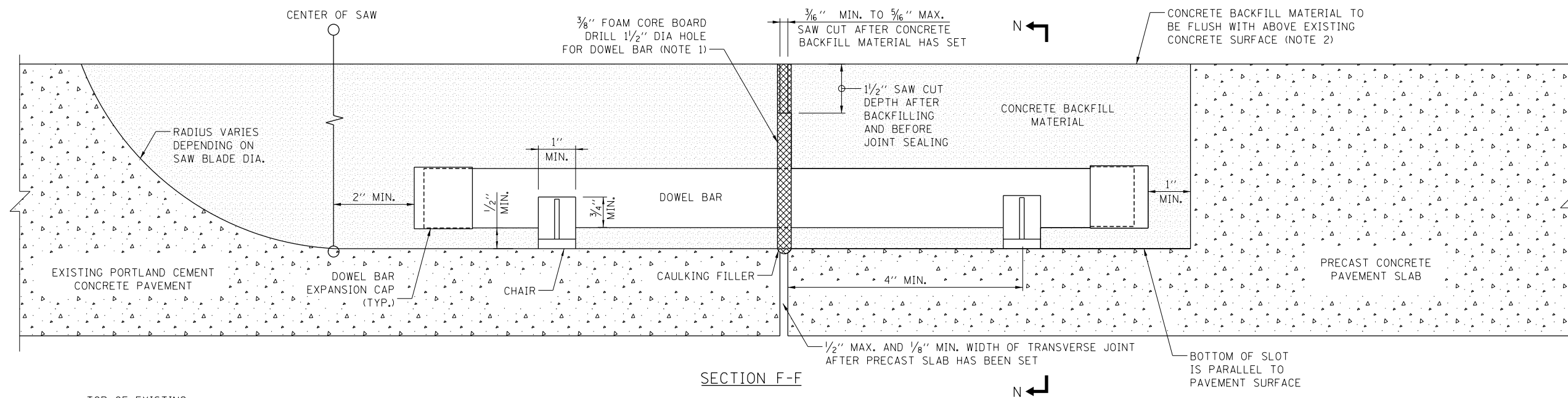
NOTES:

1. PLACE FOAM CORE BOARDS TO THE TOP OF PATCH.
2. UPON COMPLETION, THE FINISHED SURFACE OF THE CONCRETE BACKFILL MATERIAL SHALL NOT BE BELOW EXISTING CONCRETE SURFACE.



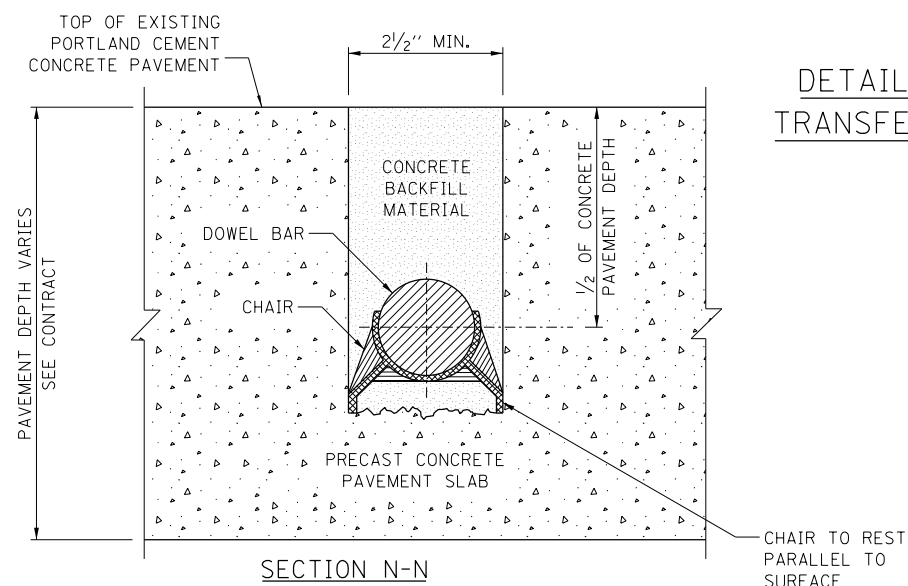


PLAN VIEW

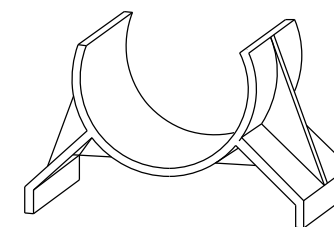


SECTION F-F

DETAIL-F, WIDE MOUTH DOWEL BAR PLACEMENT DETAIL FOR THE LAST TRANSFER JOINT OF CONSECUTIVELY PLACED STANDARD PRECAST PANELS



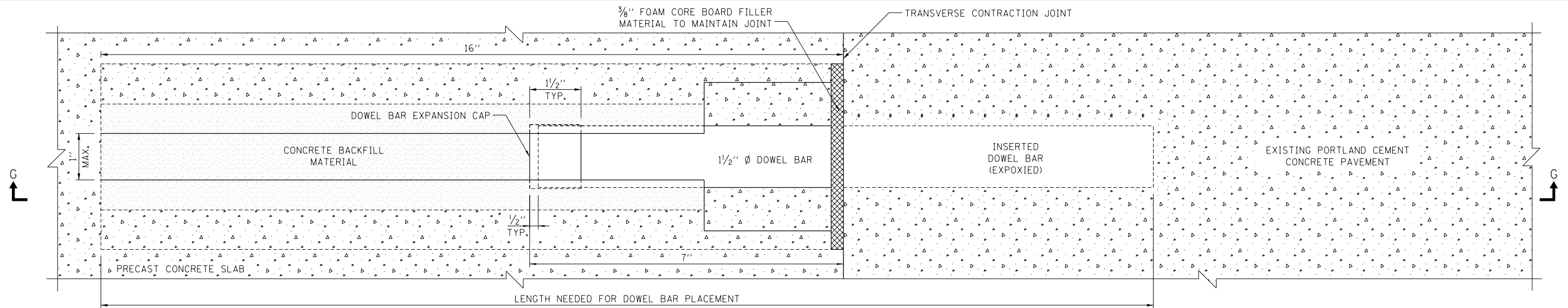
SECTION N-N



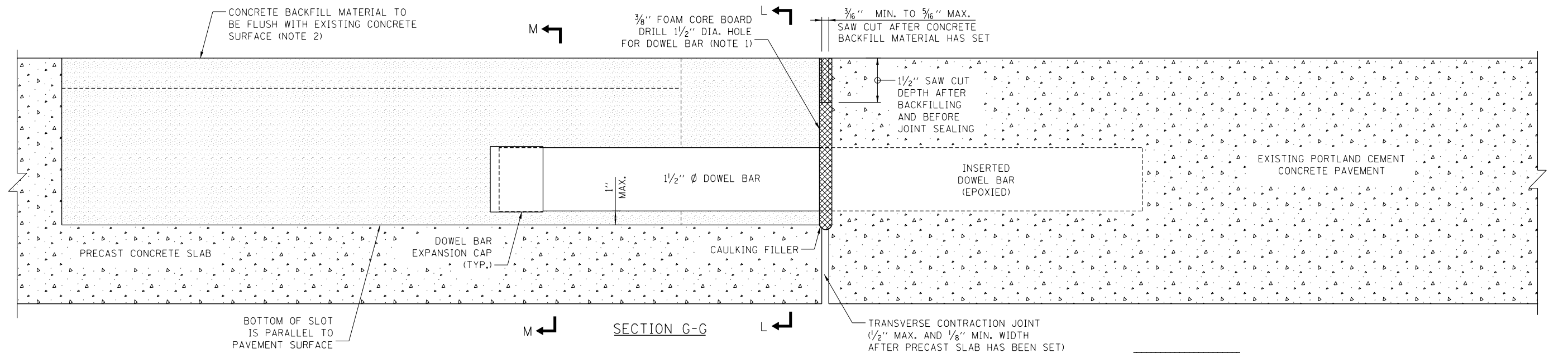
CHAIR DETAIL

NOTES:

1. PLACE FOAM CORE BOARDS TO THE TOP OF PATCH.
2. UPON COMPLETION, THE FINISHED SURFACE OF THE CONCRETE BACKFILL MATERIAL SHALL NOT BE BELOW EXISTING CONCRETE SURFACE.



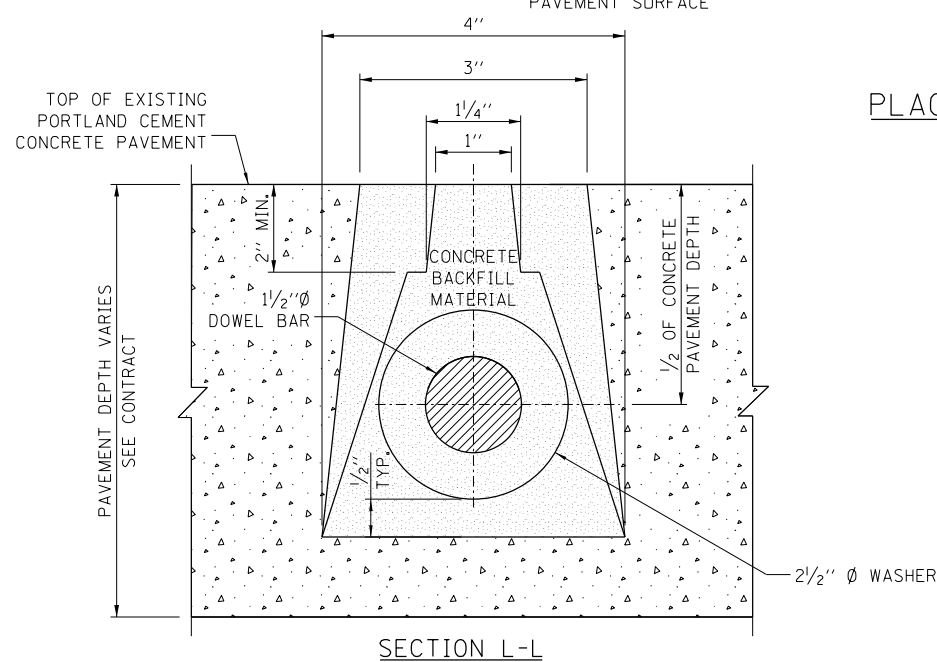
PLAN VIEW



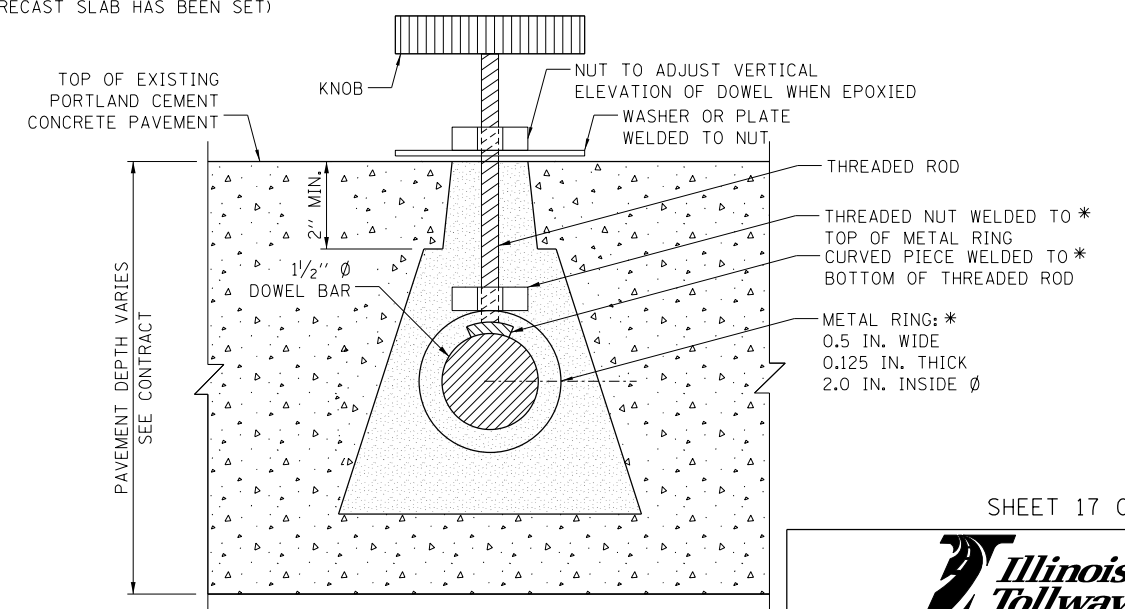
SECTION G-G

DETAIL G - NARROW MOUTH DOWEL BAR
PLACEMENT DETAIL FOR ISOLATED PRECAST PANELS

(FOR OPTIONAL APPLICATION WITH ALL ISOLATED
SLABS IN PLACE OF FULL RETROFITS)



SECTION L-L



SECTION M-M

CLAMP DETAIL FOR SLIDING DOWEL BAR SLOTS

* METAL RING MAY BE REPLACED WITH A STRONG MAGNET WELDED TO THE THREADED ROD. AT LEAST ONE CLAMP WILL BE NEEDED FOR EACH INSERTED DOWEL BAR TO MAINTAIN ALIGNMENT.

NOTES:

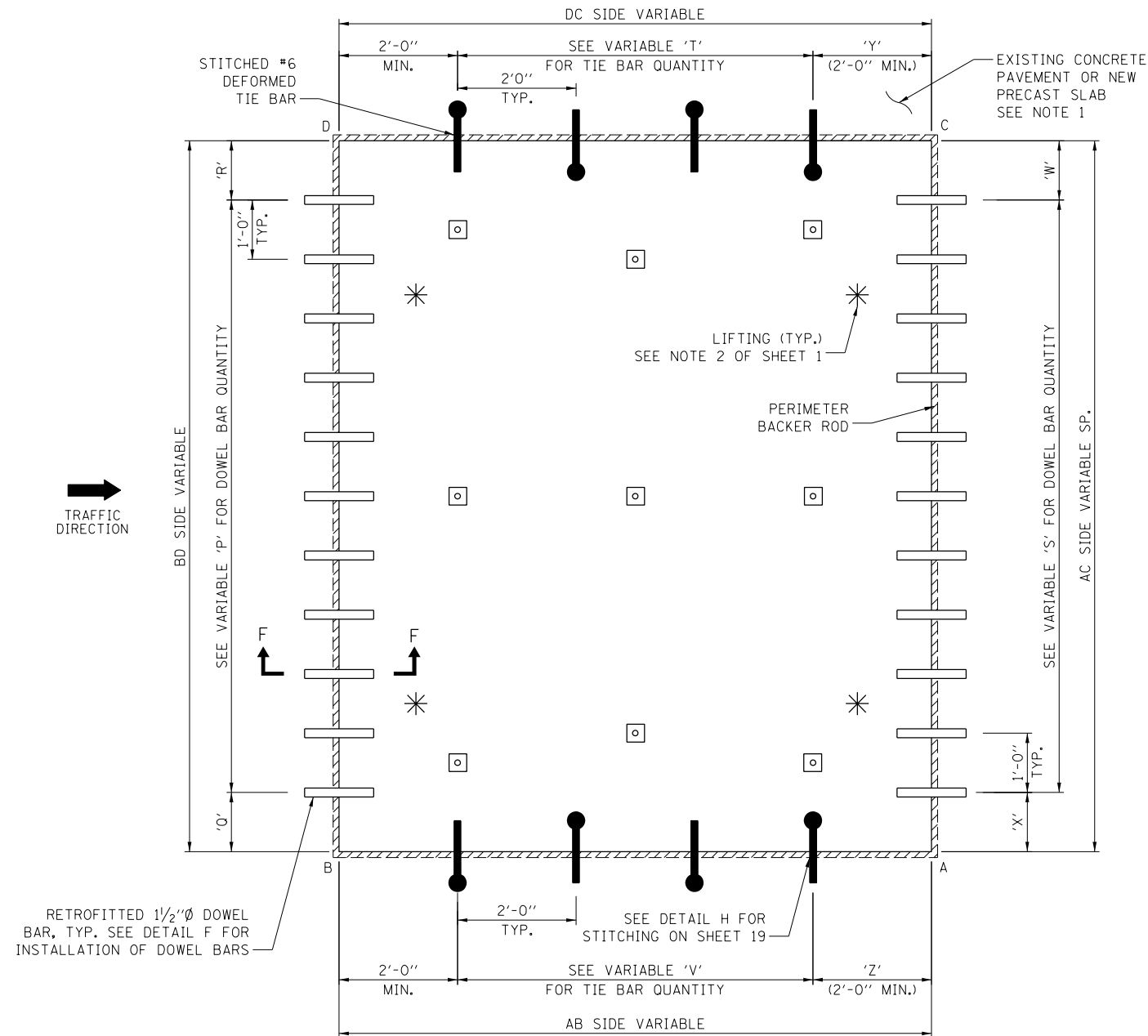
1. PLACE FOAM CORE BOARDS TO THE TOP OF PATCH.
2. UPON COMPLETION, THE FINISHED SURFACE OF THE CONCRETE BACKFILL MATERIAL SHALL NOT BE BELOW EXISTING CONCRETE SURFACE.

FOR NON-STANDARD SLABS, UPON COMPLETION BY THE CONTRACTOR A SLAB LAYOUT WILL BE ADDED WITH SLAB DIMENSIONS TO INCLUDE BUT NOT BE LIMITED TO THE TABLE SHOWN BELOW.

CORRIDOR	STATION NUMBER	MAINLINE LANE NO.	RAMP ID.	RAMP LANE NO.	PLAZA LANE NO.	MARK NO.	PLAZA LANE NO.	MARK NO.	LANE TYP.	VARIABLES																AB* SIDE	BD* SIDE	CD* SIDE	AC* SIDE	AREA (SQ. FT.)	VOLUME (CU. FT.)	WEIGHT (TONS)	DIAGONALS (FT.)					
										AB (FT.)	AC (FT.)	BD (FT.)	CD (FT.)	P (NO.)	Q (FT.)	R (FT.)	S (NO.)	T (NO.)	V (NO.)	W (FT.)	X (FT.)	Y (FT.)	Z (FT.)	AD	BC													
EXAMPLE																																						

MAINLINE LANE NO.: LANE NO. 1 IS ADJACENT TO MEDIAN SHOULDER.
 RAMP LANE NO.: LANE NO. 1 IS ADJACENT TO THE BUILDING
 PLAZA LANE NO.: LANE NO. 1 IS ADJACENT TO THE BUILDING
 MARK NO.: EACH PANEL SHALL BE INDIVIDUALLY MARKED FOR CORRECT PLACEMENT.
 LANE TYP.: "OUT" IN THIS COLUMN INDICATES OUTSIDE LANE.
 "MID" IN THIS COLUMN INDICATES MIDDLE LANE.
 "IN" IN THIS COLUMN INDICATES INSIDE LANE.
 "PLAZA" IN THIS COLUMN INDICATES PLAZA LANE.

*** LEGEND**
 DB= DOWEL BAR EMBEDDED
 DS= DOWEL SLOT
 ST= SLOT OR HOLE FOR STITCHED TIE BAR
 RD= FIELD RETROFITTED DOWEL BARS

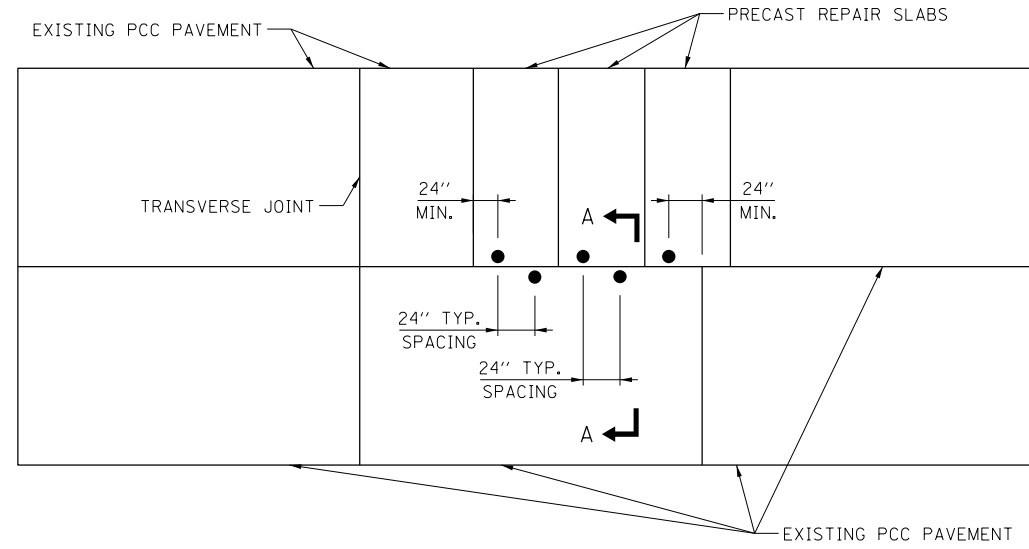


INSTALLATION DETAIL FOR CUSTOM SLABS

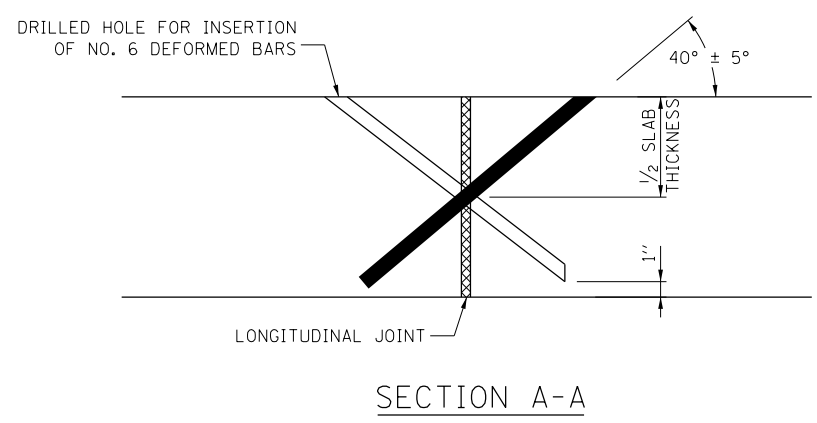
- NOTES:**
1. NO STITCHING OF DEFORMED TIE BARS IS REQUIRED WHEN PRECAST SLAB IS PLACED ADJACENT TO HMA SHOULDER OR PLAZA ISLAND.
 2. TIE BAR STITCHING SHALL BE REQUIRED WHEN THE REPAIR AREA LENGTH EXCEEDS 20 FT. OR WHEN MORE THAN 3 PRECAST SLABS ARE PLACED IN SEQUENCE.
 3. SHOP DRAWINGS SHALL BE REQUIRED FOR ALL CUSTOM PLAZA SLABS.



APPROVED *Paul Kovacs* CHIEF ENGINEER DATE 5-1-2009



DETAIL H - LONGITUDINAL TIE BAR
STITCHING FOR PRECAST PANELS




NOTES FOR TIE BAR STITCHING:

1. DRILL HOLES THAT ARE ORIENTED AT $40^\circ \pm 5^\circ$ ANGLE TO THE PAVEMENT SURFACE SO THAT THEY INTERSECT THE LONGITUDINAL CRACK OR JOINT AT ABOUT MID-DEPTH. (IT IS IMPORTANT TO START DRILLING THE HOLE AT A CONSISTENT DISTANCE FROM THE JOINT, IN ORDER TO CONSISTENTLY CROSS AT THE MID-DEPTH OF THE SLAB.)
2. HOLE CENTERLINES ARE PERPENDICULAR TO THE JOINT (IN PLAN VIEW) AT EACH LOCATION BEING DRILLED.
3. SELECT A DRILL THAT MINIMIZES DAMAGE TO THE CONCRETE SURFACE, SUCH AS A HYDRAULIC POWERED DRILL. SELECT A DRILL DIAMETER NO MORE THAN 0.375 IN. LARGER THAN THE TIE BAR DIAMETER. CHOOSE A GANG-MOUNTED DRILL IF A HIGHER PRODUCTIVITY IS NEEDED.
4. DRILL HOLES WITH NO LESS THAN A 24 INCH BAR SPACING. ADJACENT HOLES ARE DRILLED IN OPPOSITE DIRECTIONS ACROSS THE JOINT. THE HOLES AND INSERTED TIE BAR SHALL BE NO LESS THAN 24 INCHES FROM ANY EXISTING TRANSVERSE JOINT OR ANY PRECAST OR REPAIR TRANSFER JOINT.
5. HOLE BOTTOMS ARE NO MORE THAN 1 INCH FROM THE SLAB BOTTOM.
6. AIR BLOW THE HOLES TO REMOVE DUST AND DEBRIS AFTER DRILLING.
7. INJECT ADHESIVE INTO THE HOLE, LEAVING SOME VOLUME FOR THE BAR TO OCCUPY THE HOLE. (POURING THE ADHESIVE IS ACCEPTABLE FOR SMALL QUANTITIES.)
8. INSERT THE NO. 6 EPOXY COATED DEFORMED TIE BAR INTO THE HOLE, LEAVING ABOUT 1 IN. FROM THE TOP OF BAR TO THE PAVEMENT SURFACE. DEFORMED TIE BARS SHALL BE EPOXY COATED.
9. REMOVE EXCESS ADHESIVE AND FINISH FLUSH WITH THE PAVEMENT SURFACE.



PRECAST PAVEMENT SLABS

STANDARD A18-03


 APPROVED..... CHIEF ENGINEER..... DATE 5-1-2009