

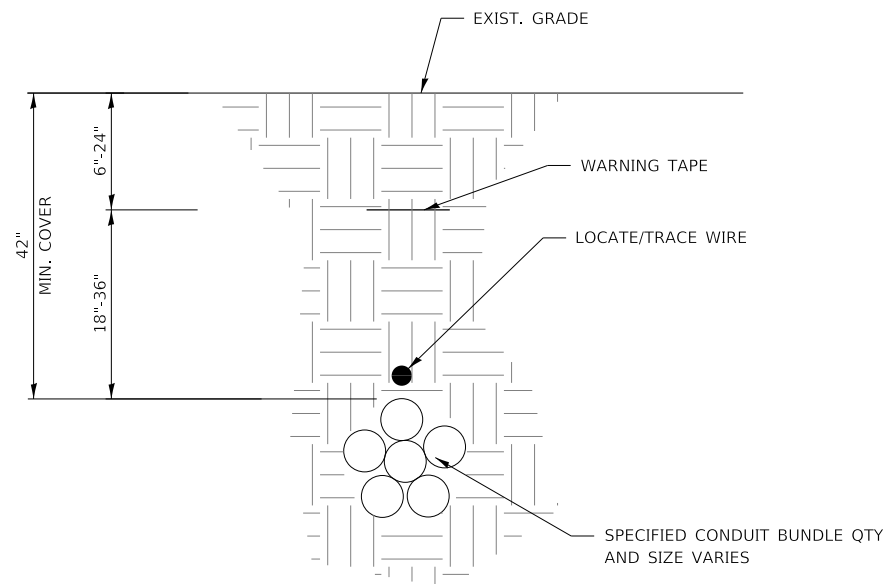
Illinois Tollway Standard Drawings Revisions

Section L	Fiber Optic	
Standard	Modification Summary	Effective: 03-1-2022
L1-04	Fiber Optic System Typical and Drawings	
Sheet 1	Modified Note 3. Added "or compression coupled".	
Sheet 1	Modified Note 4. Replaced "PVC coated galvanized rigid steel" with "stainless steel".	
Sheet 2	Modified Note 4. Added "or compression coupled".	
Sheet 2	Modified Note 11. Replaced "PVC coated galvanized rigid steel" with "stainless steel".	
Sheet 2	Modified Profile View. Removed "HDPE".	
Sheet 5	Modified title. Removed "Fusion".	
Sheet 5	Added compression coupling detail.	
Sheet 6	Removed note that stated "all bolts shall be 1/2" x 3" hex ASTM standard F593C stainless steel bolts".	
Sheet 6	Added depth dimension to detail.	
Sheet 6	Modified detail. Removed bolts and bolt holes from the lid drawing. Updated the hash line work on the drawing.	
Sheet 8	Modified detail. Added a locator ball.	
Sheet 8	Modified detail callout. Replaced "pea gravel" with "coarse aggregate".	
Sheet 8	Added a new note that states "locator ball shall be placed in handhole containing a splice enclosure. Place locator ball in the middle of handhole".	
Sheet 11	Modified Detail B callout. Replaced "galvanized rigid steel" with "stainless steel".	
Sheet 11	Modified Detail C callout. Replaced "galvanized rigid steel" with "stainless steel".	
Sheet 11	Modified Detail D callout. Replaced "galvanized rigid steel" with "stainless steel".	
Sheet 11	Modified Detail D. Added a 1 inch channel strut support between the cabinet and concrete wall.	
Sheet 12	Modified Note 1. Replaced "galvanized rigid steel" with "stainless steel".	
Sheet 12	Modified Detail "Below Grade Penetration Building". Replaced "galvanized rigid steel" with "stainless steel".	
L2-03	Fiber Optic Splicing Details	
Sheet 1	Detail modified. Replaced the 8-port gator patch with a 12-port gator patch.	
Sheet 1	Detail modified. Updated the patch panel connections to reflect the 12 port gator patch.	

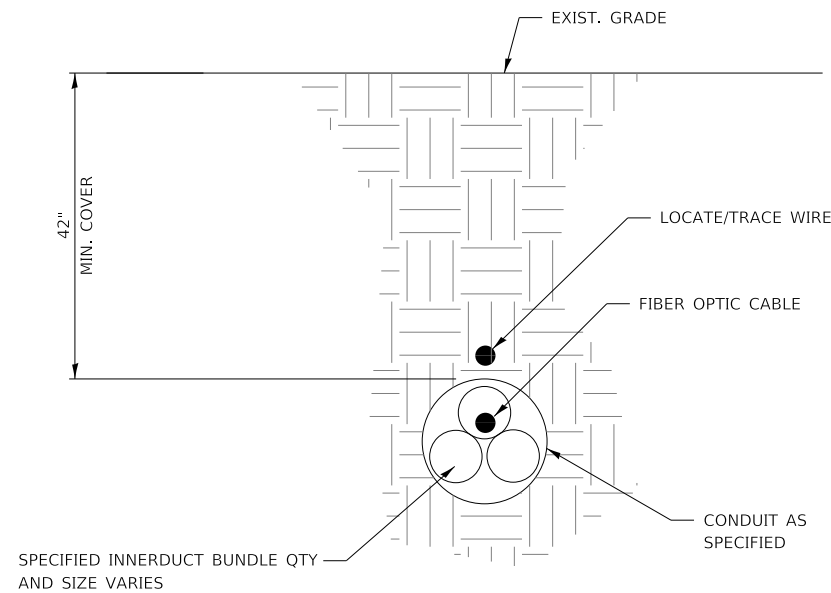
TYPES OF BURY
CABLE AND CONDUIT
BORED, TRENCHED, AND PLOWED

GENERAL NOTES:

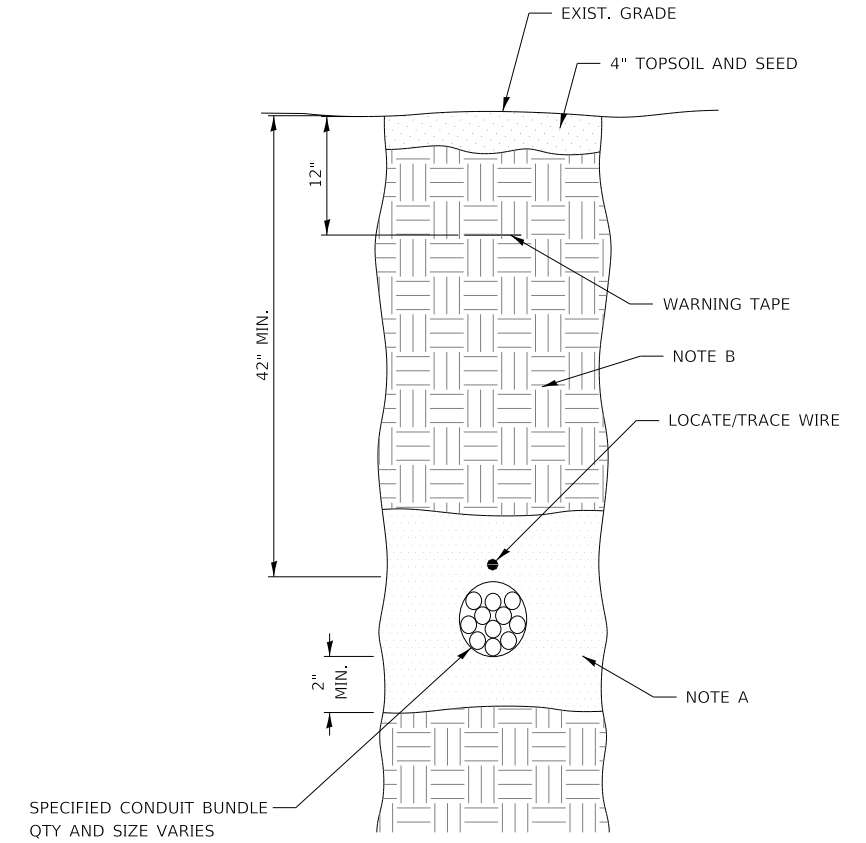
1. UNDERGROUND CONDUIT SHALL BE PLACED AT 42" MINIMUM COVER UNLESS OTHERWISE SPECIFIED ON THE PLANS.
2. UNDERGROUND CONDUIT SHALL BE PLACED AT 48" MINIMUM COVER UNDER STREAM, CREEK AND DRAINAGE DITCH'S UNLESS OTHERWISE SPECIFIED ON THE PLANS.
3. IF WHILE LOWERING THE CONDUIT THERE IS NOT ENOUGH SLACK, ADDITIONAL CONDUIT SHALL BE ADDED. EMPTY CONDUITS CAN BE CUT AND HAVE NEW CONDUIT FUSED OR COMPRESSION COUPLED ON. CONDUITS WITH FIBER INSTALLED SHALL BE RING CUT WITH A TUBE CUTTER SO AS NOT TO DAMAGE THE FIBER.
4. CONDUIT USED ABOVE GROUND SHALL BE STAINLESS STEEL OR FIBERGLASS REINFORCED EPOXY (FRE) CONDUIT. UNDERGROUND CASINGS SHALL BE FRE PER THE SPECIAL PROVISIONS OR HDPE.
5. LOCATE/TRACE WIRE SHALL BE DIRECT BURIED WITH EVERY CONDUIT BUNDLE PATH AS CLOSE TO THE CENTER OF THE CONDUITS AS POSSIBLE. LOCATE/TRACE WIRE SHALL NOT BE INSTALLED IN A CONDUIT WITHOUT APPROVAL OF THE ENGINEER.
6. WHEN AN OPTIC FIBER CONDUIT SEPARATES FROM A CONDUIT BUNDLE OR DUCT BANK, AN ADDITIONAL LOCATE WIRE SHALL BE INSTALLED WITH THAT SEPARATE CONDUIT PATH GOING BACK TO THE PREVIOUS HANDHOLE.
7. ALL LOCATE/TRACE WIRE WILL BE TESTED PER SPECIFICATIONS PRIOR TO ANY FIBER BEING INSTALLED.
8. ALL UNUSED CONDUIT SHALL HAVE 1200 LB MULE TAPE INSTALLED FOR FUTURE USE.



PLOWED CONDUIT BUNDLES
QTY VARIES



BORED CONDUIT WITH FIBER OPTIC CABLE AND/OR MULTIPLE INNERDUCTS
AS REQUIRED



CONSTRUCTION NOTES TRENCHED CONDUIT BUNDLES

- A. A MINIMUM OF 2" OF SAND SHALL BE PLACED UNDER THE CONDUIT. SAND SHALL TRANSITION TO BACKFILL ACCORDING TO NOTE B 4" ABOVE CONDUIT.
- B. BACKFILL SHALL BE ACCORDING TO ARTICLE 810.04 OF THE STANDARD SPECIFICATIONS.

TRENCHED CONDUIT BUNDLES

PLOT DRIVER: c:\bms\wsp-pb-us-pw-02\ia_brad_hoder\0161165\def-11\tolway.plt
 PLOT DATE: 2/17/2019 11:15:31 AM
 PLOT TIME: 11:15:31 AM
 PLOT BY: bhdodo
 PLOT NAME: E:\wsp-pb-us-pw-02\ia_brad_hoder\0161165\def-11\tolway.plt

APPROVED BY:

 CHIEF ENGINEERING OFFICER
 DATE: 02/17/2019

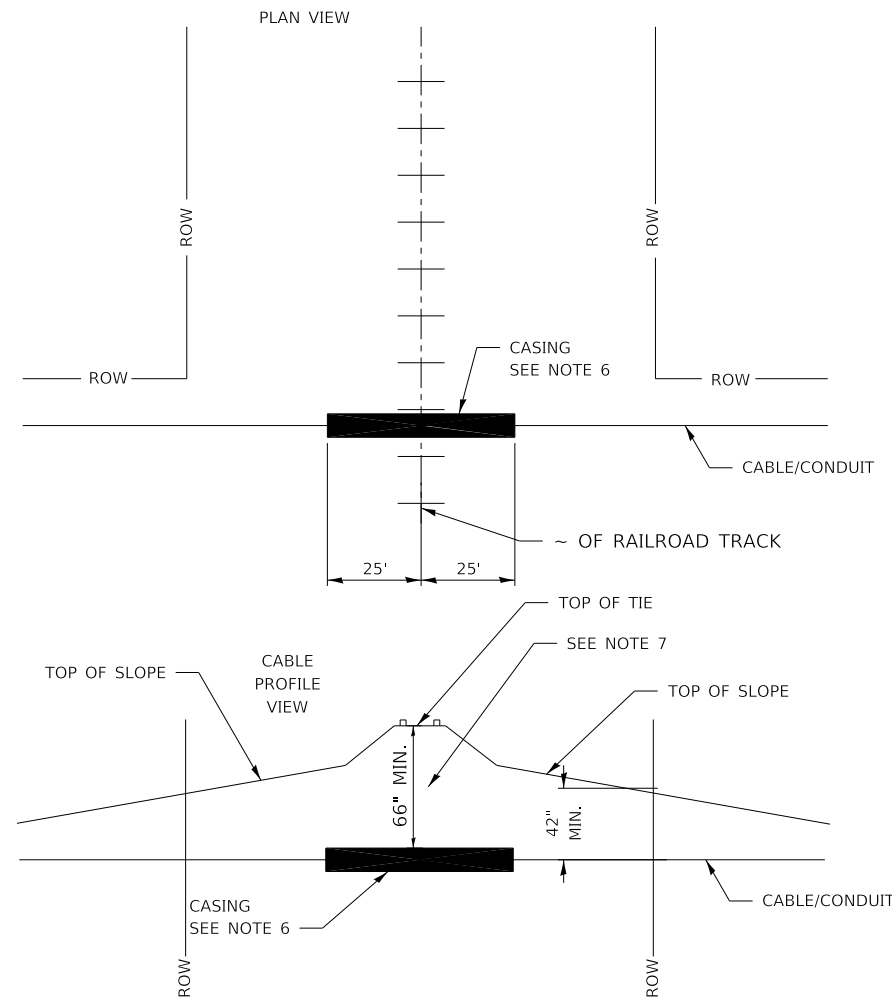
REVISIONS	
DATE	DESCRIPTION
03-01-2022	ADDED COMPRESSION COUPLING, STAINLESS STEEL CONDUIT, COARSE GRAVEL, LOCATOR BALL REQUIREMENTS, REMOVED HH BOLT REQUIREMENT
03-01-2021	ALLOWANCE FOR FRE CONDUIT USAGE
	UPDATED ETHERNET SWITCH

FIBER OPTIC SYSTEM
TYPICALS AND DRAWINGS

VERSION: 2022-03	STANDARD: L1-04	SHEET: 1 OF 15
---------------------	--------------------	-------------------

OUTSIDE PLANT TYPICAL BORES

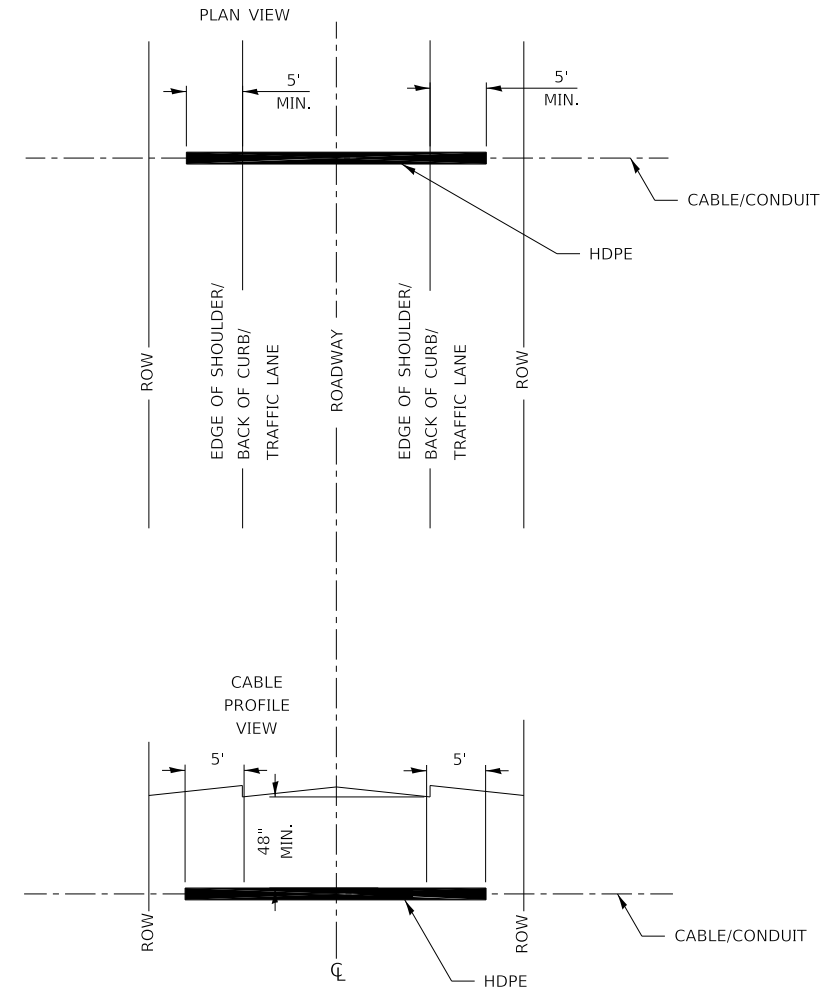
TYPICAL RAILROAD BORE OR JACK



NOTES FOR RAILROAD BORE OR JACK

1. CASING SHALL EXTEND 25 FT. EACH SIDE OF C.L. OF OUTERMOST TRACK OR AS DICTATED BY RAILROAD PERMIT.
2. R.R. BALLAST SHALL NOT BE DISTURBED.
3. BORE AND RECEIVING PITS SHALL NOT BE EXCAVATED CLOSER THAN 10 FT. FROM THE TOE OF SLOPE ON EACH SIDE OF TRACK.
4. ENDS OF ALL CASING SHALL BE FOAM PLUGGED (ARNCO HYDRA-SEAL S-60 OR ENGINEER APPROVAL EQUAL). SEE SHEET 2 OF THIS SERIES.
5. ALL OPERATIONS SHALL MEET REGULATING AGENCY REQUIREMENTS.
6. CASING AS REQUIRED BY CUSTOMER OR RAILROAD OWNER.
7. DEPTH FROM TOP OF CASING TO TOP OF RR TIE MAY BE GREATER THAN 66" AS REQUIRED BY RAILROAD OWNER, NEVER LESS THAN 66".

TYPICAL CITY ST. AND DRIVEWAY BORE OR JACK




NOTES FOR CITY STREET AND DRIVEWAY BORE OR JACK

1. HDPE SHALL EXTEND 5 FT. EACH SIDE OF EDGE OF SHOULDER/BACK OF CURB.
2. BORE AND RECEIVING PITS SHALL NOT BE EXCAVATED WITHIN 5 FT. OF EDGE OF SHOULDER/BACK OF CURB.
3. ENDS OF ALL HDPE SHALL BE FOAM PLUGGED. (ARNCO HYDRA-SEAL S-60 OR ENGINEER APPROVED EQUAL). SEE SHEET 2 OF THIS SERIES.
4. HDPE SHALL BE A MINIMUM OF 48" BELOW PAVEMENT ELEVATION TO TOP OF HDPE, MAY BE GREATER THAN 48" AS REQUIRED BY CITY, VILLAGE, TWP/COUNTY, AND/OR GOVERNING AGENCY.
5. ALL OPERATIONS SHALL MEET REGULATING AGENCY REQUIREMENTS.

PLOT DRIVER: c:\bms\warp-pib-us-pw-02\as_broad_hoder\0161165\def-ll\Tollway.plt
 PLOT DATE: 2/17/2019 11:15:33 AM
 PLOT TIME: 11:15:33 AM
 PLOT BY: bhodo
 PLOT NAME: C:\Users\pawbentley\Documents\Illinois Tollway\02\Documents\Illinois Tollway GEG (997688)\Standard Drawings and Base Sheets\Standard Drawings\Section - L1-04.dgn

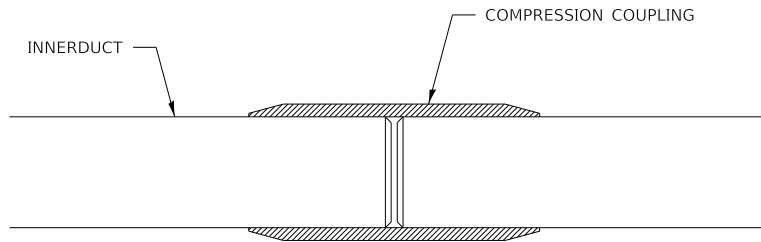
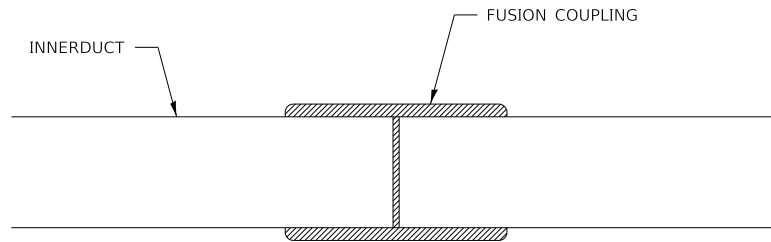
APPROVED BY: *Paul Kovacs*
 CHIEF ENGINEERING OFFICER
 DATE: 02/17/2019



FIBER OPTIC SYSTEM
 TYPICALS AND DRAWINGS

VERSION: 2022-03	STANDARD: L1-04	SHEET: 3 OF 15
---------------------	--------------------	-------------------

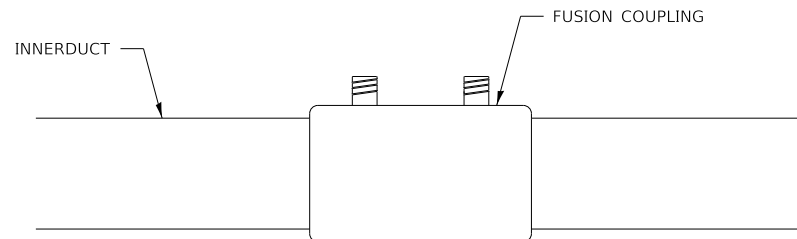
COUPLINGS DETAILS



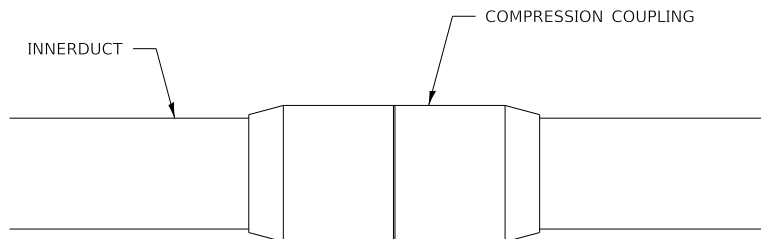
NOTE:

IN A PROPER ELECTROFUSION JOINT, MOLTEN MATERIAL FLOWS TO THE COLD ZONE WHERE IT SOLIDIFIES AND FREEZES OFF THE ESCAPE PATH. WITH THE MOLTEN MATERIAL CONTAINED, MELT PENETRATION WILL BUILD INTERFACE PRESSURE. WIRE WINDINGS WILL FLOW IN A DESIGNED AND CONTROLLED PATTERN AND A PROPER BONDING OF MATERIALS CAN BE OBTAINED.

PROPER FUSION DETAIL



COMPRESSION COUPLING DETAIL



GENERAL NOTE

1. FUSION OR COMPRESSION COUPLINGS SHALL BE USED. INSTALL COMPRESSION COUPLINGS PER MANUFACTURER RECOMMENDATIONS.

FUSION STANDARD JOINING PROCEDURES


1. SHALL INSTALL PER FUSION COUPLING MANUFACTURER RECOMMENDATIONS.
2. THE PIPE SHALL HAVE A SQUARE EVEN CUT.
3. REMOVE ANY BURRS OR SHAVING FROM THE PIPE ENDS THAT MAY HAVE DEVELOPED DURING THE CUTTING PROCESS.
4. CLEAN PIPE ENDS INSIDE AND OUT WITH A CLEAN CLOTH TO REMOVE ANY DIRT OR CONTAMINANTS.
5. PIPE PREPARATION AND CONTAMINATION ARE VERY IMPORTANT CONSIDERATIONS IN THE ELECTROFUSION PROCESS. THEREFORE, CAREFUL ATTENTION SHALL BE GIVEN TO PROPER SCRAPING AND CLEANING PROCEDURES.
6. SCRAPE PIPE ENDS TO REMOVE ANY OXIDATION OR SURFACE CONTAMINATION. FOR BEST RESULTS, SECURE TOOL ON PIPE AND MAKE TWO REVOLUTIONS.
7. DISCONNECT LEADS FROM FITTING. CLAMPING DEVICE SHALL REMAIN IN PLACE TO SECURE PIPE AND FITTING DURING THE RECOMMENDED COOLING TIME. AFTER REMOVING CLAMP, ADDITIONAL COOLING TIME SHALL BE ALLOWED BEFORE SUBJECTING THE JOINT TO BENDING, BURYING, PRESSURE TESTING, OR SIMILAR HANDLING AND BACKFILL STRESS.

NOTE: IN THE EVENT OF OUT-OF-ROUND PIPE, IT IS IMPORTANT TO ASSURE AN ADEQUATE AND EVEN SCRAPE IS ACHIEVED AROUND THE ENTIRE CIRCUMFERENCE OF THE PIPE. A RUBBER PIPE STOPPER CAN BE PLACED IN THE END OF THE PIPE TO AID IN ROUNDING THE AREA TO BE SCRAPED.

8. MULTIPLE DUCTS FUSION SHALL BE STAGGERED AND AFTER COMPLETION SHALL BE BOUND TOGETHER WITH TY-STRAPS (AT 5' SPACING) SO TO OCCUPY MINIMUM POSSIBLE SPACE AND THEN BACKFILLED.

PLOT DRIVER: c:\bms\warp-pib-us-pw-02\ia... \broad-hoder\0161165\def-ll\Tollway.plt
 PLOT DATE: 2/17/2019 11:15:35 AM
 PLOT TIME: 11:15:35 AM
 PLOT BY: bhodo
 PLOT NAME: E:\warp-pib-us-pw-02\ia... \broad-hoder\0161165\def-ll\Tollway.plt

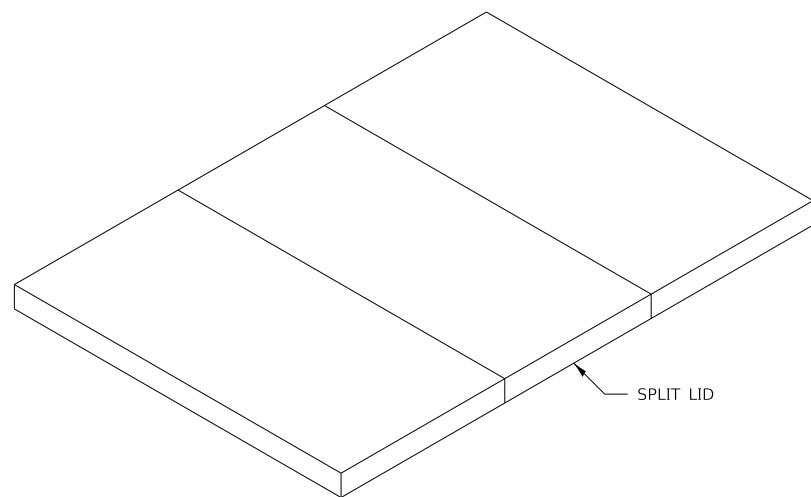
APPROVED BY: *Paul Kovacs*
 CHIEF ENGINEERING OFFICER
 DATE: 02/17/2019



FIBER OPTIC SYSTEM
 TYPICALS AND DRAWINGS

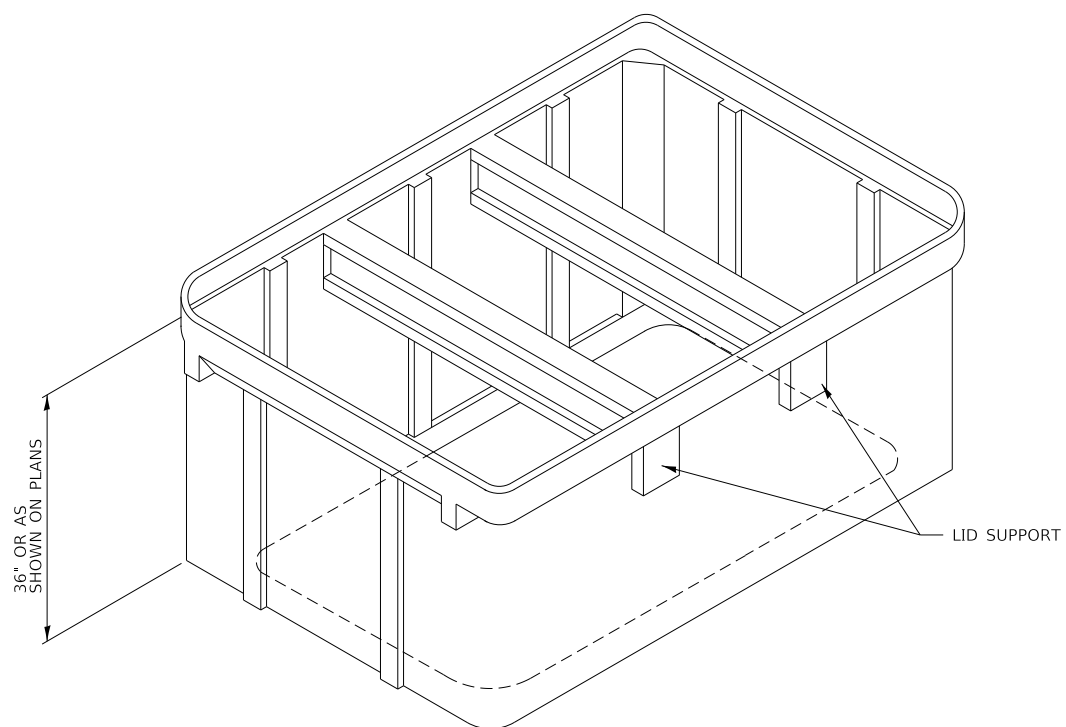
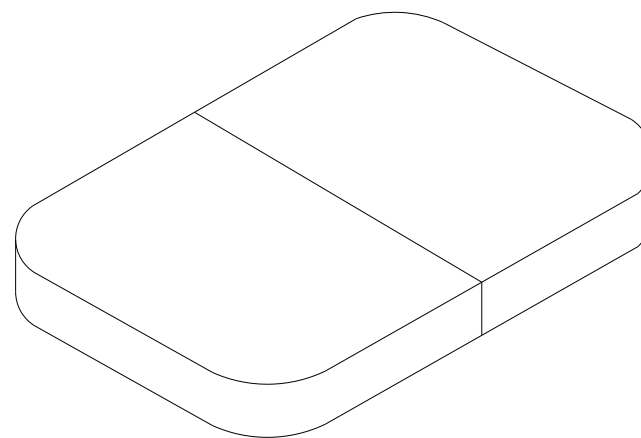
VERSION: 2022-03	STANDARD: L1-04	SHEET: 5 OF 15
---------------------	--------------------	-------------------

HANDHOLE



NOTES:

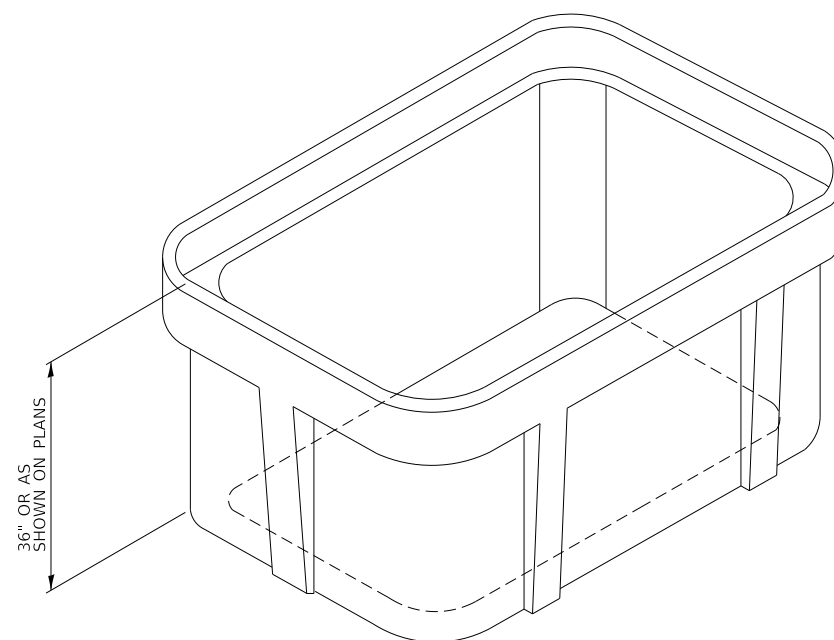
1. NO MARKING ON LID.
2. NO CORING/DRILLING OR ALTERATION OF HANDHOLE SHALL BE ALLOWED.



48"x72" HANDHOLE

2 OR 3 SECTION SPLIT LID
(PG STYLE LARGE BOX)


5 OR MORE DUCTS




36"x60" HANDHOLE

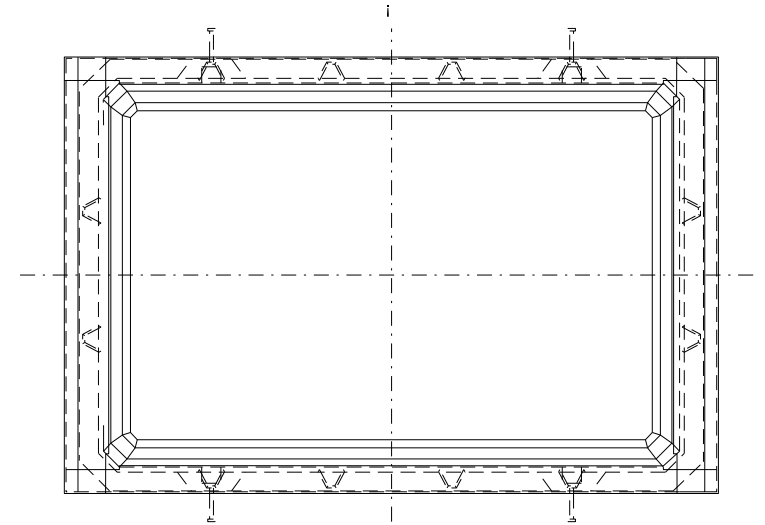
2 SECTION SPLIT LID
LESS THAN 5 DUCTS

PLOT DRIVER: c:\msdcs\ppl-us-pw-02\ia...brad.hoder\0161165\ppl-us-pw-02\ia...
 PLOT DATE: 2/17/2019 2:02:27 PM
 PLOT TIME: 2:02:27 PM
 PLOT BY: bhodo
 PLOT NAME: E:\msdcs\ppl-us-pw-02\ia...brad.hoder\0161165\ppl-us-pw-02\ia...

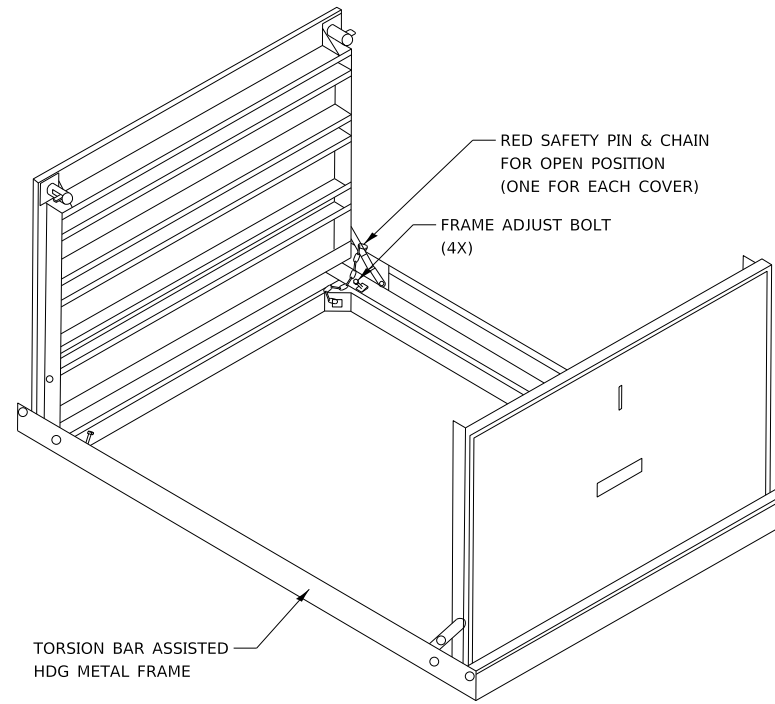
APPROVED BY: 
 CHIEF ENGINEERING OFFICER
 DATE: 02/17/2019

		
FIBER OPTIC SYSTEM TYPICALS AND DRAWINGS		
VERSION: 2022-03	STANDARD: L1-04	SHEET: 6 OF 15

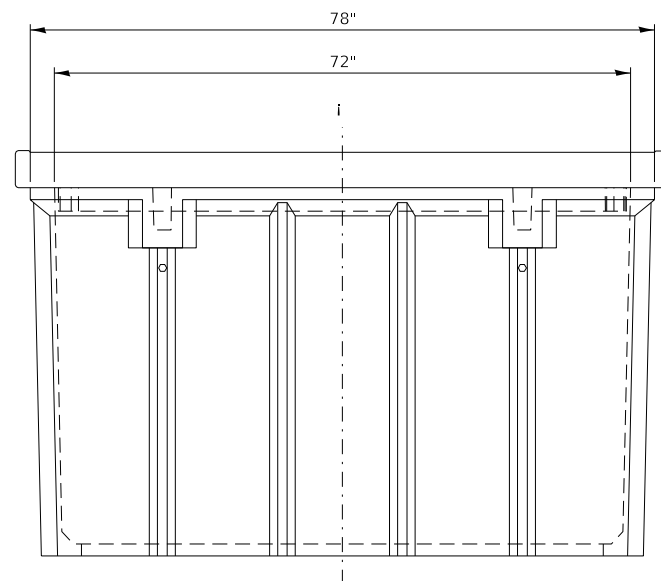
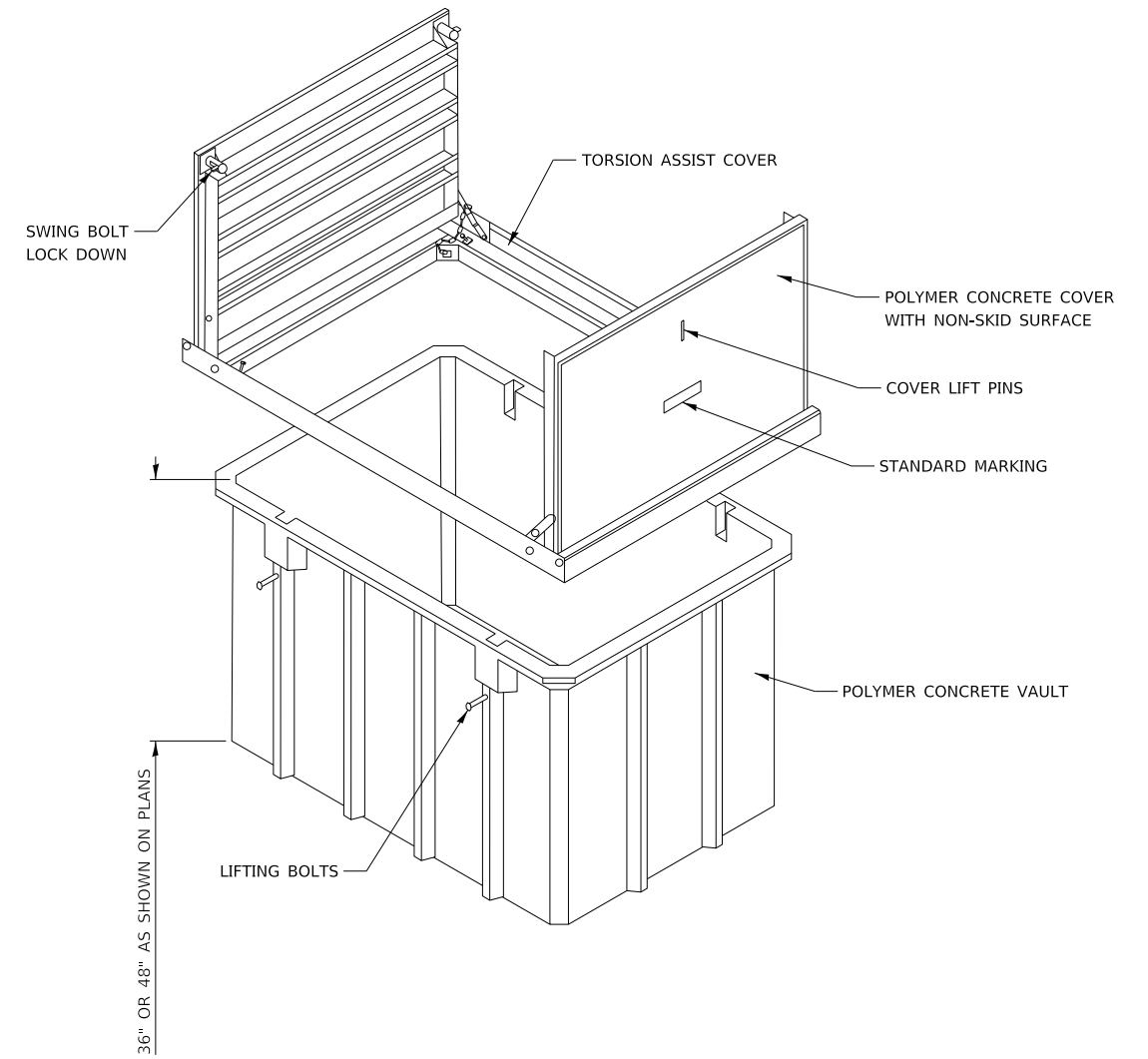
HANDHOLE



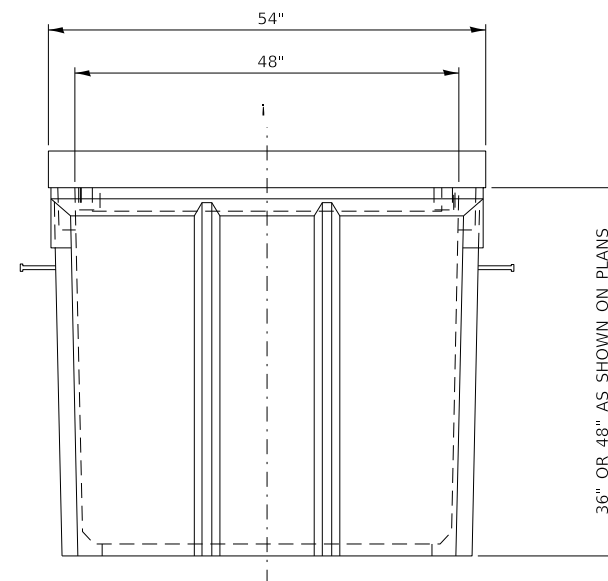
TOP VIEW



TORSION ASSIST COVER



SIDE VIEW



END VIEW

48"X 72" TORSION ASSIST


FOR FIBER OPTIC CABLE SPLICE LOCATIONS AND SLOPES GREATER THAN OR EQUAL TO 1:4

NOTE:

1. NO CORING/DRILLING OR ALTERATION OF HANDHOLE SHALL BE ALLOWED

PLOT DRIVER: C:\Users\pjb-us-pw-02\...
 PLOT DATE: 2/17/2019 11:15:36 AM
 PLOT TIME: 11:15:36 AM
 PLOT BY: bhodo
 PLOT NAME: L1-04.dgn

APPROVED BY: *Paul Kovacs*
 CHIEF ENGINEERING OFFICER
 DATE: 02/17/2019



**FIBER OPTIC SYSTEM
TYPICALS AND DRAWINGS**

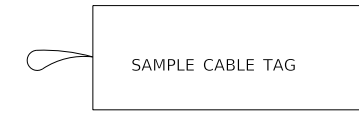
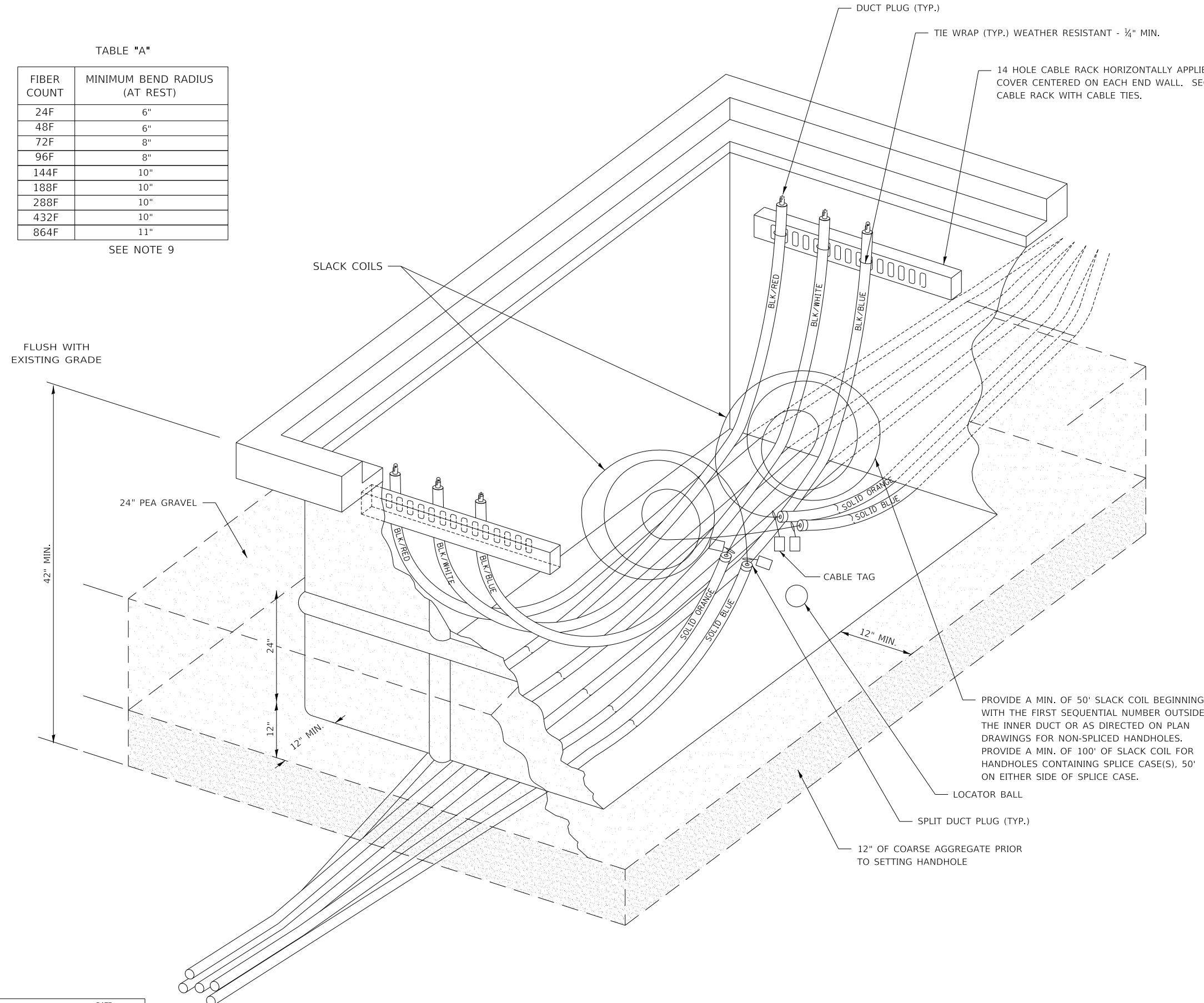
VERSION: 2022-03	STANDARD: L1-04	SHEET: 7 OF 15
---------------------	--------------------	-------------------

HDPE AND FIBER OPTIC CABLE PLACEMENT IN HANDHOLE

TABLE "A"

FIBER COUNT	MINIMUM BEND RADIUS (AT REST)
24F	6"
48F	6"
72F	8"
96F	8"
144F	10"
188F	10"
288F	10"
432F	10"
864F	11"

SEE NOTE 9




NOTES:

1. FIBER OPTIC CABLES SHALL HAVE A CABLE I.D. TAG ON BOTH SIDES OF THE SLACK COIL IDENTIFYING THE OWNER, DUCT COLOR, CABLE COUNT, AND DIRECTION.
2. COLOR NOTED ON INNERDUCTS IS FOR REFERENCE ONLY.
3. COIL FIBER CABLE IN HANDHOLE ENSURING THAT THE BEND RADIUS MEETS THE VALUES IN TABLE "A".
4. EACH FIBER CABLE COIL SHALL BE TIED TOGETHER IN A SINGLE TIGHT BUNDLE.
5. EACH FIBER COIL BUNDLE SHALL BE COILED TIGHTLY ENOUGH THAT IT IS NOT COMPRESSED WHEN THE HANDHOLE LID IS CLOSED.
6. FIBER COIL BUNDLE SHALL BE LABELED WITH OWNER, END LOCATIONS, FIBER TYPE, AND FIBER COUNT.
7. FIBER SPLICE CONTAINER SHALL BE PLACED IN THE HANDHOLE ALLOWING FOR EASY ACCESS AND LABELED WITH OWNER, END LOCATIONS, FIBER TYPE, AND FIBER COUNT.
8. FIBER CONDUIT SHALL EXTEND INTO THE HANDHOLE 12 TO 18 INCHES WITH THE END TURNED UP AND SEALED TO MINIMIZE WATER ENTERING THE CONDUIT. SPARE CONDUITS SHALL EXTEND TO CABLE RACK ON OPPOSITE WALL.
9. MANUFACTURER'S SPECIFICATIONS OF MINIMUM BEND RADIUS SUPERCEDE TABLE "A".
10. LOCATOR BALL SHALL BE PLACES IN HANDHOLES CONTAINING A SPLICE ENCLOSURE. PLACE LOCATOR BALL IN THE MIDDLE OF HANDHOLE.

PLOT DRIVER: c:\msd\wpa\pib-us-pw-02\ia...
 PLOT DATE: 2/17/2019 11:15:37 AM
 PLOT TIME: 11:15:37 AM
 PLOT BY: bhodo
 FILE NAME: I:\msd\wpa\pib-us-pw-02\ia...

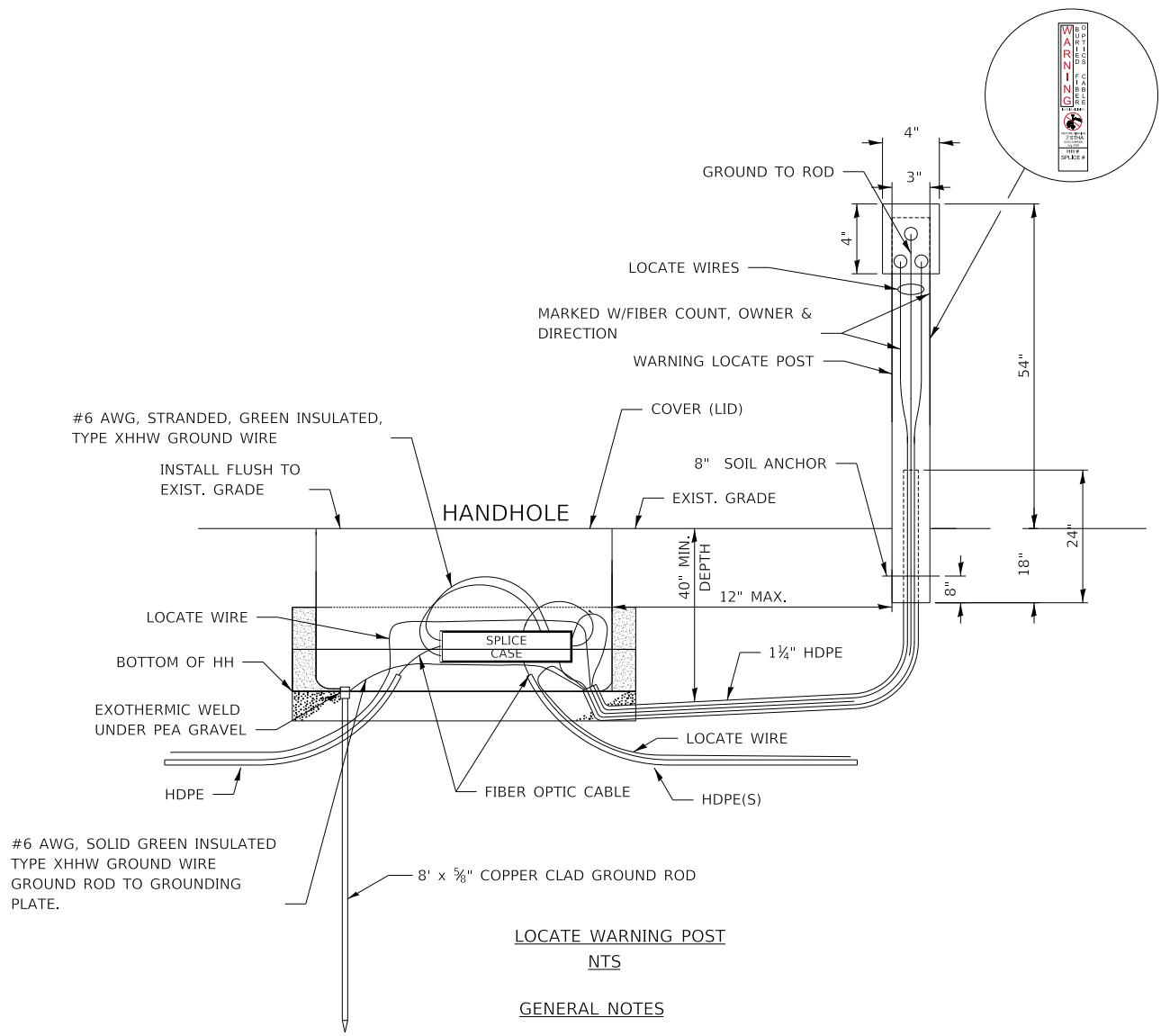
APPROVED BY: *Paul Kovacs*
 CHIEF ENGINEERING OFFICER
 DATE: 02/17/2019



**FIBER OPTIC SYSTEM
TYPICALS AND DRAWINGS**

VERSION: 2022-03	STANDARD: L1-04	SHEET: 8 OF 15
---------------------	--------------------	-------------------

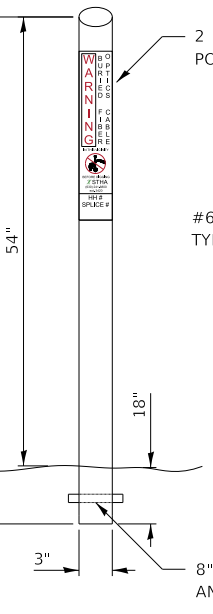
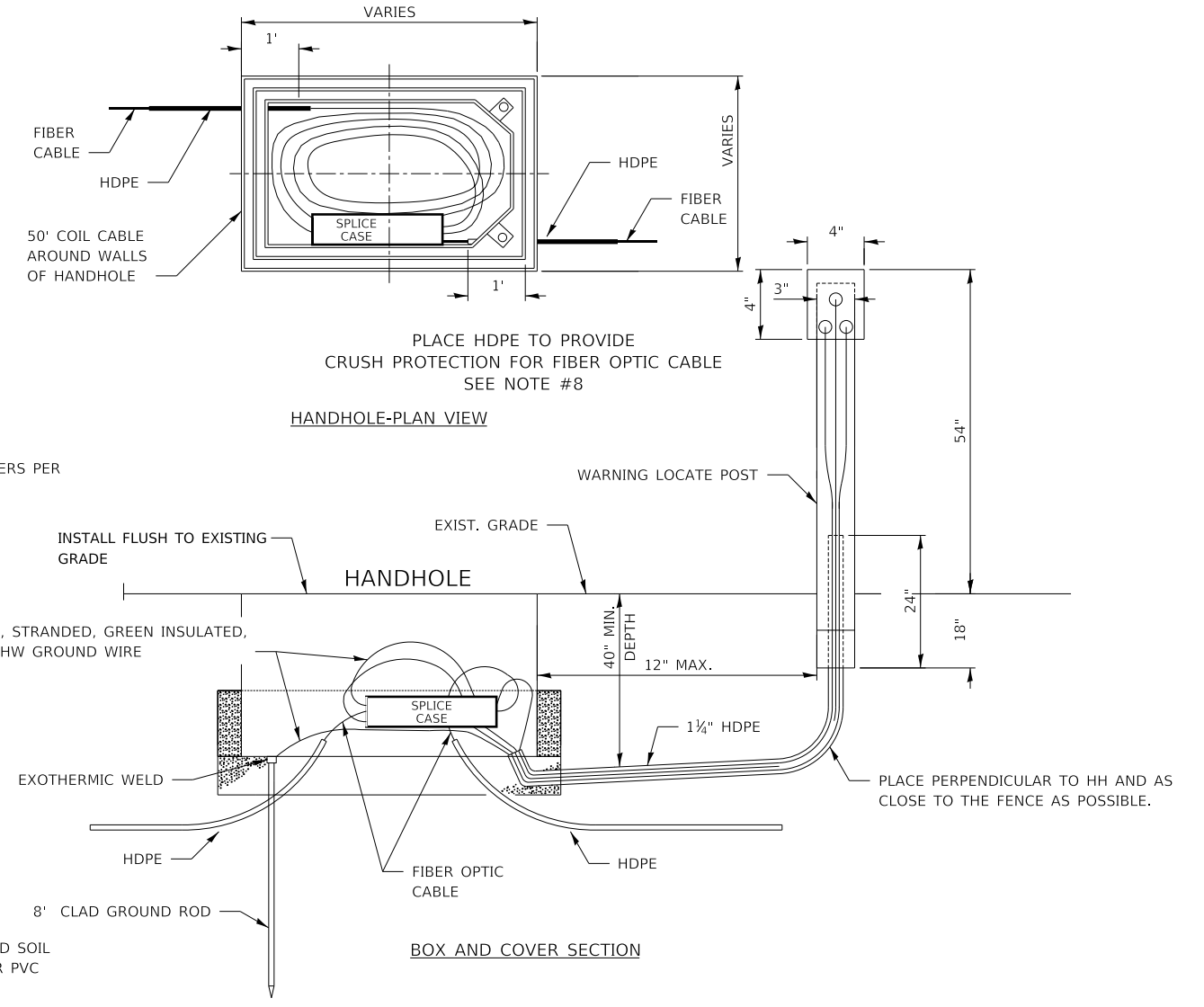
FIBER HANDHOLE SITE DETAIL AND GROUNDING



LOCATE WARNING POST
NTS

GENERAL NOTES

- ROUTE MARKER SHALL BE PLACED 1 FOOT FROM HANDHOLE OR AT FENCE LINE OR RIGHT-OF-WAY LINE IF POSSIBLE.
- HANDHOLES SHALL BE BACKFILLED ONLY TO THE TOP OF THE BOX. FLUSH TO EXISTING GRADE.
- COIL FIBER CABLE IN HANDHOLE ENSURING THAT THE BEND RADIUS SHALL NOT EXCEED 6".
- INSTALL GROUND ROD & EXOTHERMIC WELD AS PER MANUFACTURER'S INSTRUCTIONS. PLACE THE #6 GROUND WIRE (TYPE XHHW, SOLID, GREEN INSULATED) THAT HAS BEEN ATTACHED TO THE GROUND ROD AND TO THE CENTER LUG OF THE LOCATE POST.
- BACKFILL MATERIAL SHALL BE COMPACTED TO THE SATISFACTION OF THE ENGINEER.
- GROUND WIRE SHALL BE BONDED TO BOTH SHEATHS OF ARMORED FIBER OPTIC CABLE IN THE SPLICE ENCLOSURE USING #6 GROUND STRANDED, GREEN INSULATED WIRE. EACH GROUND SHALL BE ISOLATED WITHIN THE ENCLOSURE.
- INSTALL 1 1/4" HDPE CONDUIT FROM HANDHOLE TO WARNING POST TO ALLOW GROUNDING CABLE AND LOCATE TRACE WIRES TO BE INSTALLED.



- PLACE HDPE OVER FIBER OPTIC CABLE TO PROVIDE CRUSH PROTECTION EXTEND HDPE 1' INSIDE HANDHOLE.
- NO HANDHOLES WILL BE ALLOWED IN PAVED ROADWAYS OR SHOULDERS.
- THE TOPS OF ALL HANDHOLES SHALL BE FLUSH WITH THE EXISTING GRADE.
- HANDHOLE SHALL NOT BE INSTALLED ON STEEP BANKS OR SLOPES WHERE THE COVER CANNOT BE LEVELED WITHIN A TOLERANCE OF ONE INCH (1") OF DROP TO TWELVE INCHES (12") OF GRADE AND REMAIN BURIED.
- A WATER PROOF SEALING SIMPLEX DUCT PLUG SHALL BE INSTALLED AROUND THE FIBER OPTIC TO SEAL AROUND THE CONDUIT. A WATER PROOF SEALING PLUG SHALL BE INSTALLED IN ALL VACANT CONDUIT.
- ANY WORK IN AN EXISTING SINGLE MODE HANDHOLE OR INVOLVING AN EXISTING SINGLE MODE DUCT AND FIBER SHALL BE COORDINATED WITH THE TOLLWAY FIBER OPTIC CONTRACTOR, USING A-36 PROCESS.
- FOR ALL SPLICE AND HANDHOLE, NUMBER DECALS SHALL BE APPLIED AFTER INSTALLATION IS COMPLETED.
- PLACEMENT OF SIGNS IS PREFERRED OVER POSTS. SIGNS SHALL BE USED ON LOCATIONS WHERE FENCE IS VISIBLE FROM ROAD. POSTS SHALL ONLY BE USED WHERE SIGN WOULD NOT BE VISIBLE FROM ROAD.

PLOT DRIVER: C:\Users\pdp-us-pw-02\...
 PLOT DATE: 2/17/2019 1:15:38 PM
 PLOT TIME: 1:15:38 PM
 PLOT BY: bhodo
 FILE NAME: FIBER HANDHOLE SITE DETAIL AND GROUNDING
 FILE NAME: F:\Users\pdp-us-pw-02\Documents\Illinois Tollway\GEG (997688)\Standard Drawings and Base Sheets\Standard Drawings\Section-L1-04.dgn

APPROVED BY: *Paul Kovacs*
 CHIEF ENGINEERING OFFICER
 DATE: 02/17/2019

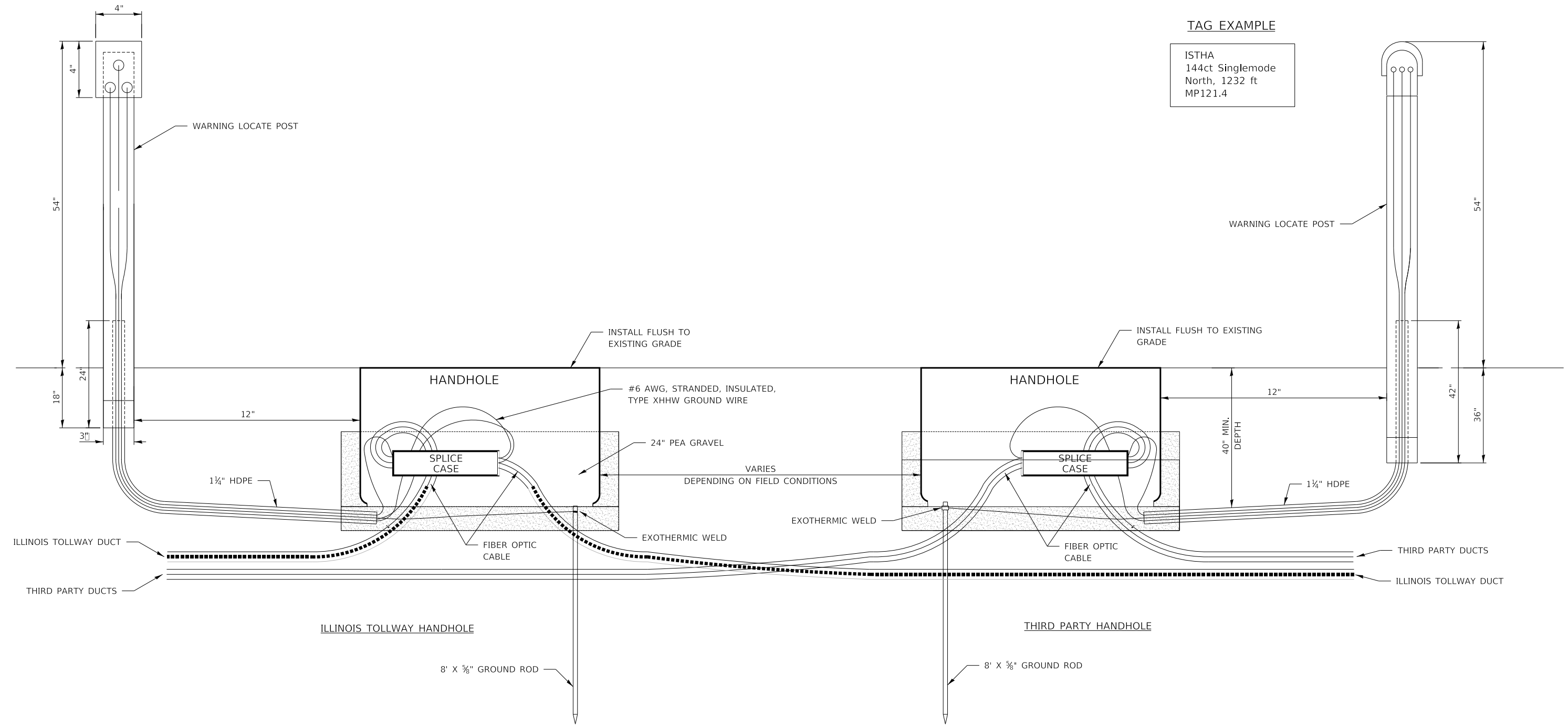
**FIBER OPTIC SYSTEM
TYPICALS AND DRAWINGS**

VERSION: 2022-03 STANDARD: L1-04 SHEET: 9 OF 15

FIBER HANDHOLE SITE DETAIL AND GROUNDING
THIRD PARTY CONDUIT

TAG EXAMPLE

ISTHA
144ct Singlemode
North, 1232 ft
MP121.4




NOTES:

- WARNING LOCATE POST SHALL BE PLACED 1 FOOT FROM HANDHOLE OR AT FENCE LINE IF POSSIBLE.
- HANDHOLES SHALL BE BACKFILLED ONLY TO THE TOP OF THE BOX FLUSH TO EXISTING GRADE.
- INSTALL GROUND ROD & EXOTHERMIC WELD AS PER MANUFACTURER'S INSTRUCTIONS. PLACE THE #6 GROUND WIRE (TYPE XHHW, SOLID, GREEN INSULATED) THAT HAS BEEN ATTACHED TO THE GROUND ROD ON THE CENTER LUG OF THE WARNING LOCATE POST.
- GROUND WIRE SHALL BE BONDED TO BOTH SHEATHS OF ARMORED FIBER OPTIC CABLE IN THE SPLICE ENCLOSURE USING #6 STRANDED GREEN INSULATED TYPE XHHW GROUND WIRE. EACH GROUND SHALL BE ISOLATED WITHIN THE ENCLOSURE.
- PLACE HDPE OVER FIBER OPTIC CABLE TO PROVIDE CRUSH PROTECTION EXTEND HDPE 1' INSIDE HANDHOLE.
- NO HANDHOLES SHALL BE ALLOWED IN PAVED ROADWAYS OR SHOULDERS.
- THE TOPS OF ALL HANDHOLES SHALL BE FLUSH WITH THE EXISTING GRADE UNLESS THE SLOPE IS GREATER THEN 1:4. IF SO, THE HANDHOLE SHALL BE PLACED LEVEL WITH THE EARTH GRADED AROUND IT SO NO PART OF THE SIDES OF THE HANDHOLE IS EXPOSED.
- A WARNING LOCATE POST SHALL BE INSTALLED AT ALL HANDHOLES.
- LOCATE WIRE SHALL BE TESTED FROM HANDHOLE TO HANDHOLE PRIOR TO ANY FIBER BEING INSTALLED IN CONDUIT.
- LOCATE WIRES SHALL BE TAGGED INSIDE LOCATE POST. THE TAG SHALL SHOW THE FIBER OWNER, FIBER COUNT, FIBER TYPE, DIRECTION (N,S,E,W), DISTANCE TO NEXT LOCATE POST, AND MILE POST AT THAT LOCATION.

PLOT DRIVER: c:\bms\wsp-pib-us-pwr-02\ia_broad_holer\016165\def-111\tollway.plt
 PLOT DATE: 2/17/2019 11:15:39 AM
 PLOT TIME: 11:15:39 AM
 PLOT BY: bhodo
 PLOT NAME: FIBER HANDHOLE SITE DETAIL AND GROUNDING THIRD PARTY CONDUIT
 PLOT SCALE: 0.20000000''/ft. PAGE SIZE: 17x11 (in)

APPROVED BY: *Paul Kovacs*
CHIEF ENGINEERING OFFICER
DATE: 02/17/2019

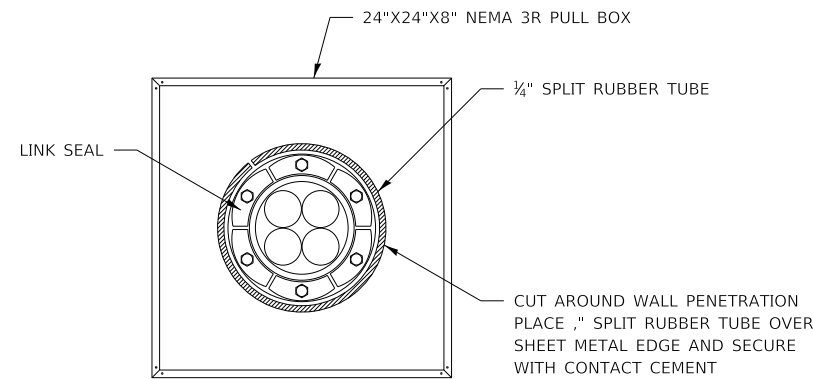


**FIBER OPTIC SYSTEM
TYPICALS AND DRAWINGS**

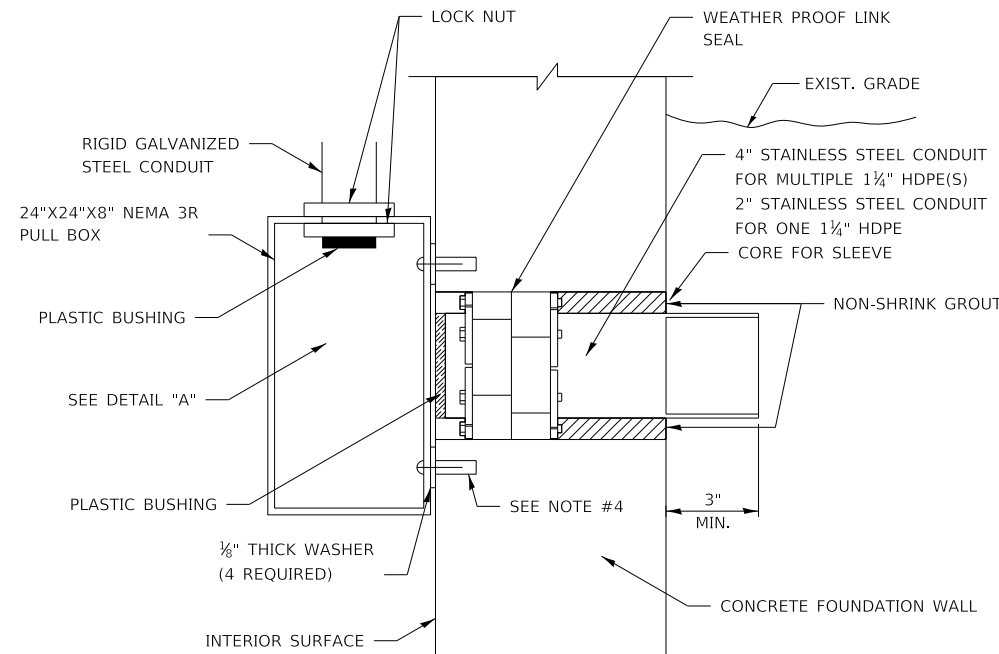
VERSION: 2022-03	STANDARD: L1-04	SHEET: 10 OF 15
---------------------	--------------------	--------------------

WALL PENETRATION DETAIL

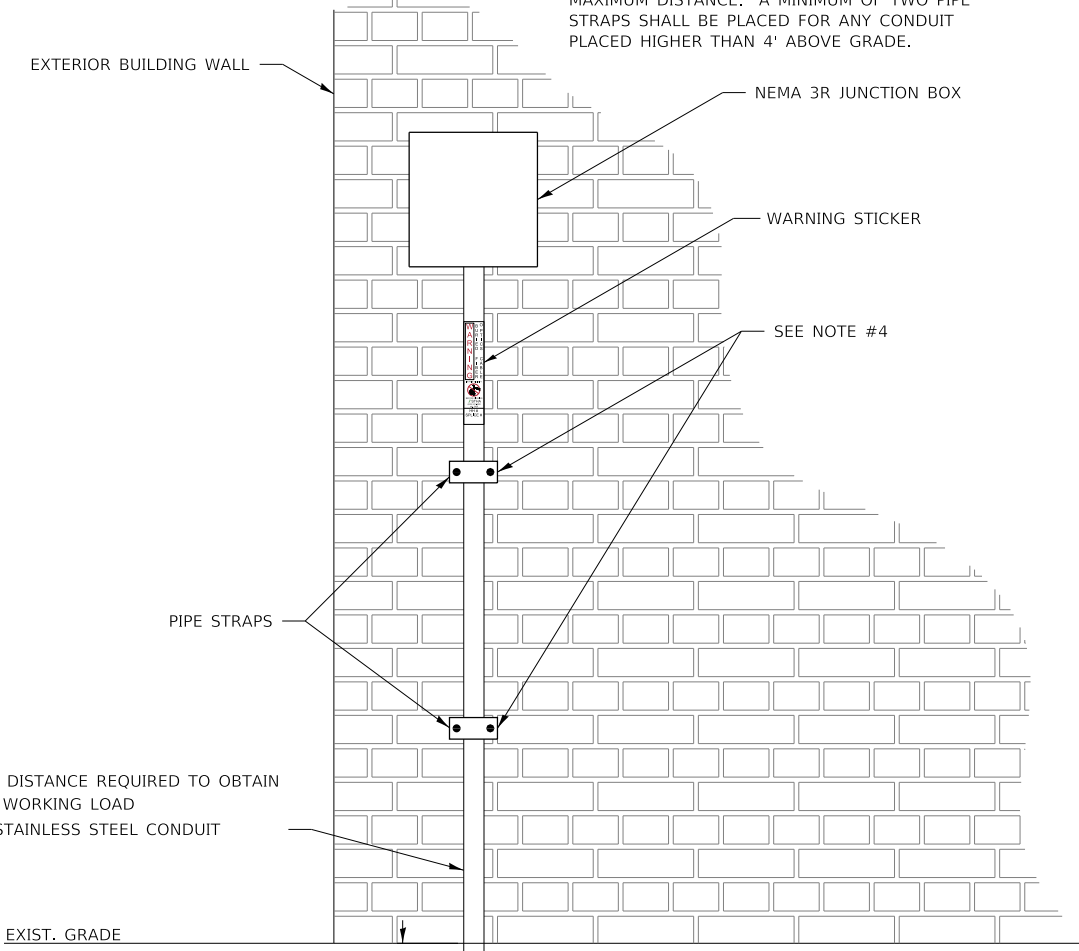
NOTE:
THE MAXIMUM PIPE STRAP SPACING SHALL BE 30" MAX. VERTICAL AND 18" HORIZONTAL MAXIMUM DISTANCE. A MINIMUM OF TWO PIPE STRAPS SHALL BE PLACED FOR ANY CONDUIT PLACED HIGHER THAN 4' ABOVE GRADE.



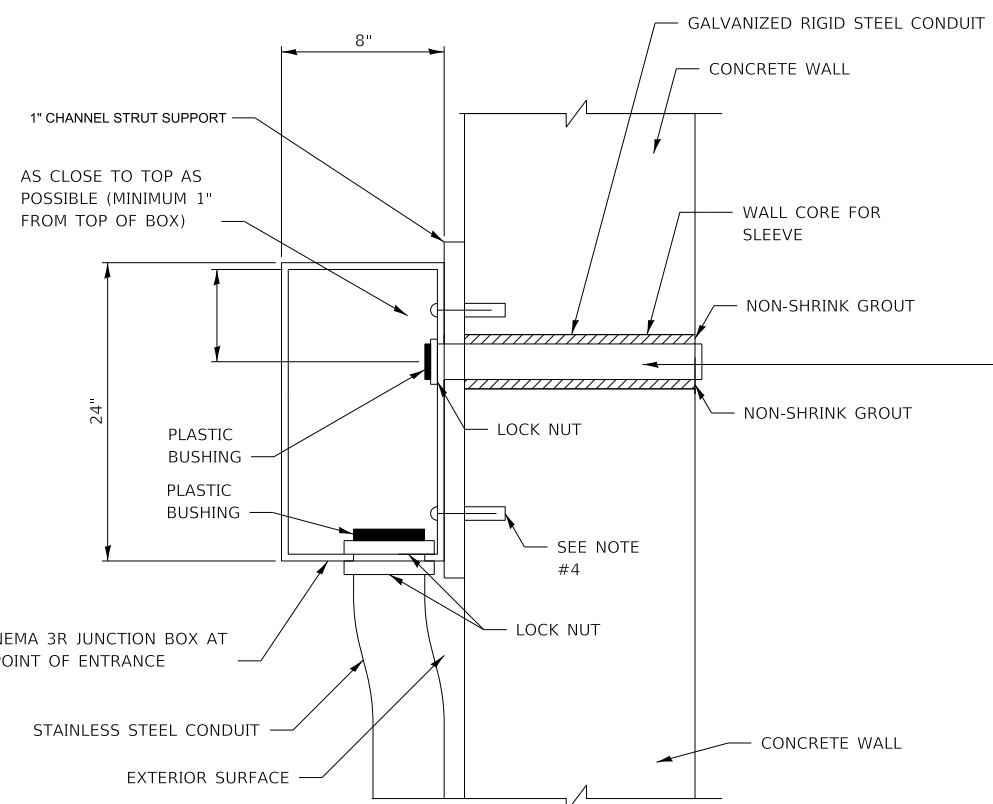
DETAIL A
FRONT VIEW
BELOW GRADE
BUILDING ENTRANCE PULL BOX



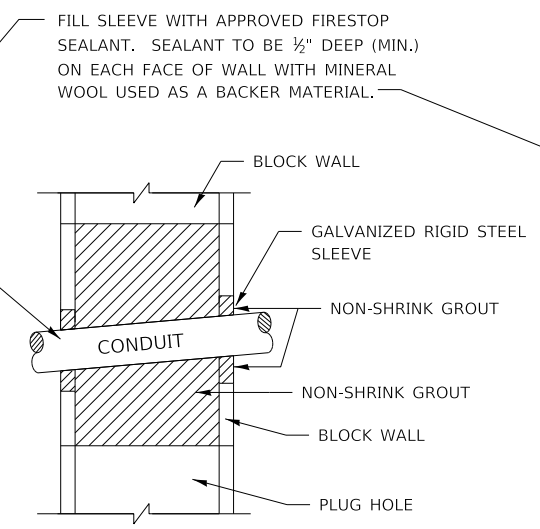
DETAIL B
SIDE VIEW
BELOW GRADE
BUILDING ENTRANCE PULL BOX



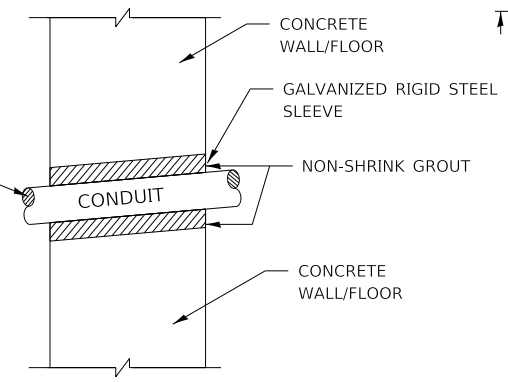
DETAIL C
ABOVE GRADE
BUILDING ENTRANCE
CONDUIT



DETAIL D
ABOVE GRADE
BUILDING ENTRANCE PULL BOX



DETAIL E
BLOCK WALL PENETRATION



DETAIL F
CONCRETE WALL/FLOOR PENETRATION BUILDING PENETRATIONS SPECIFIED AS DETAIL F MAY BE A COMBINATION OF POURED OR HOLLOW CONCRETE BLOCK WITH A BRICK EXTERIOR. IF HOLLOW BLOCK IS ENCOUNTERED COMPLETE INSTALLATION PER DETAIL E THIS SHEET.

GENERAL NOTES

1. ALL PENETRATIONS SHALL UTILIZE EXISTING UNUSED BUILDING PENETRATIONS TO THE MAXIMUM EXTENT POSSIBLE.
2. ALL EXTERIOR MATERIALS SHALL BE STAINLESS STEEL UNLESS OTHERWISE NOTED.
3. ALL ANCHORS SHALL BE INSTALLED IN SOUND CONCRETE OR MASONRY.
4. USE APPROVED MASONRY ANCHOR.
5. ALL CONDUITS ENTERING THE BUILDING SHALL BE PITCHED AWAY FROM BUILDING.

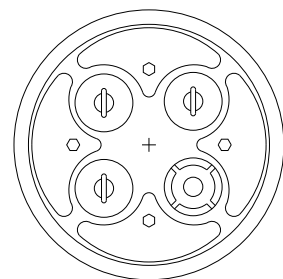
PLOT DRIVER: c:\bms\wsp-pub-us-pw-02\ia-brad-hoder\0161165\p11\11.tollway\p11.tollway.tbl
 PLOT DATE: 2/17/2019 3:56:16 PM
 PLOT TIME: 3:56:16 PM
 PLOT BY: bhdod
 PLOT NAME: \\p11.tollway\p11.tollway\p11.tollway.tbl

APPROVED BY: *Paul Kovacs*
 CHIEF ENGINEERING OFFICER
 DATE: 02/17/2019

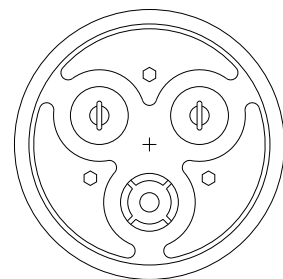


**FIBER OPTIC SYSTEM
TYPICALS AND DRAWINGS**

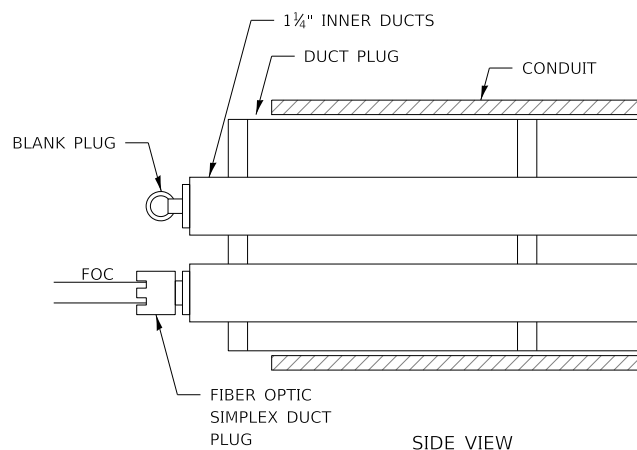
UNDERGROUND PENETRATION DETAIL



FRONT VIEW
QUAD DUCT PLUG

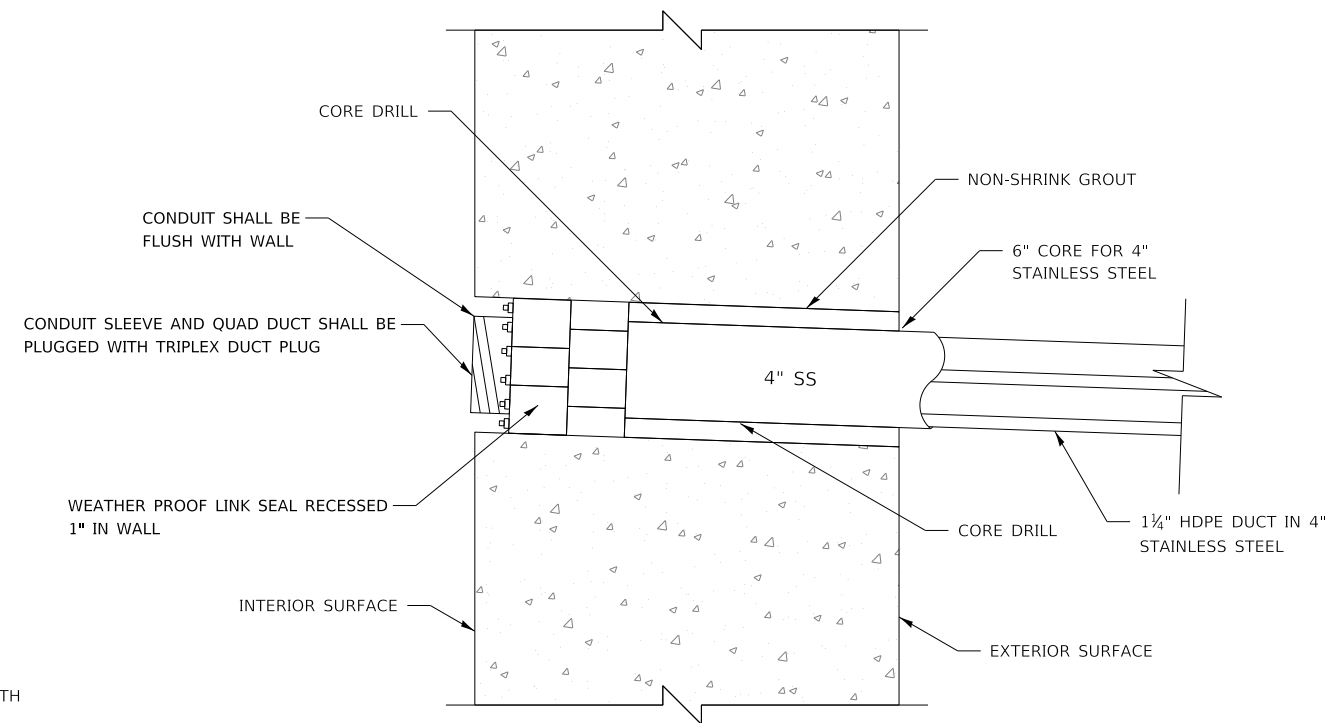


FRONT VIEW
DUCT PLUG



SIDE VIEW
DUCT PLUG

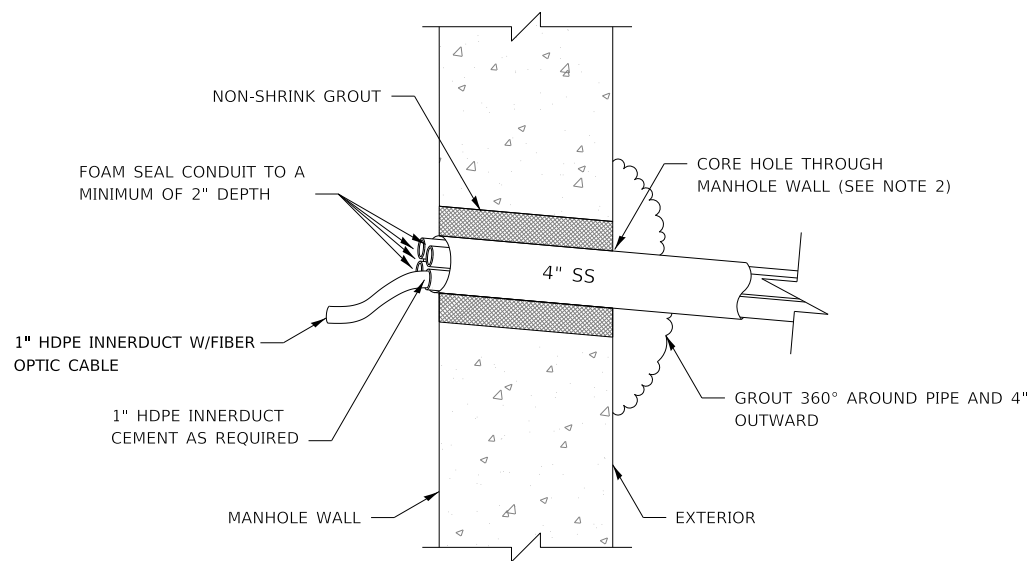
DUCT PLUG DETAIL
NOT TO SCALE



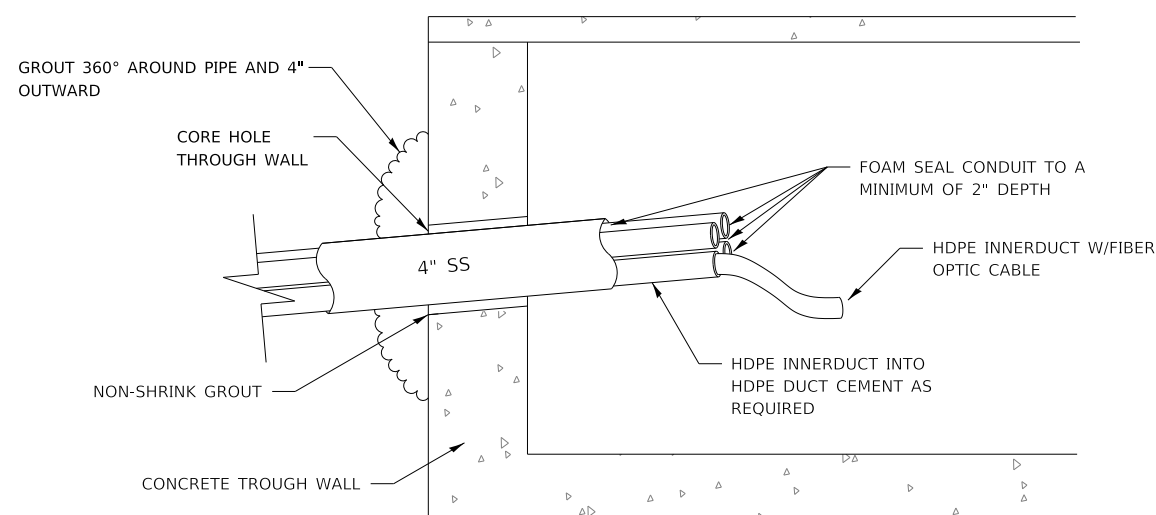
BELOW GRADE PENETRATION BUILDING
NOT TO SCALE

GENERAL NOTES:

1. STAINLESS STEEL CONDUIT EXTENDING THROUGH FOUNDATION WALL SHALL BE ONE CONTINUOUS PIECE (NO COUPLINGS), SQUARE WITH BUILDING AT A SLIGHT ANGLE TO THE EXTERIOR TO PREVENT WATER SEEPAGE.
2. MANHOLE CORES SHALL NOT BE THROUGH MANHOLE CONE.




MANHOLE PENETRATION DETAIL
NOT TO SCALE



CONCRETE TROUGH PENETRATION
NOT TO SCALE

PLOT DRIVER: c:\bms\wrap-pib-us-pwr-02\ia...brad.hoder\0161165\def-11\Tollway.plt
 PLOT DATE: 2/17/2019 11:15:41 AM
 PLOT TIME: 11:15:41 AM
 PLOT BY: bhodo
 UNDERGROUND PENETRATION DETAIL
 FILE NAME: c:\bms\wrap-pib-us-pwr-02\ia...brad.hoder\0161165\def-11\Tollway.plt

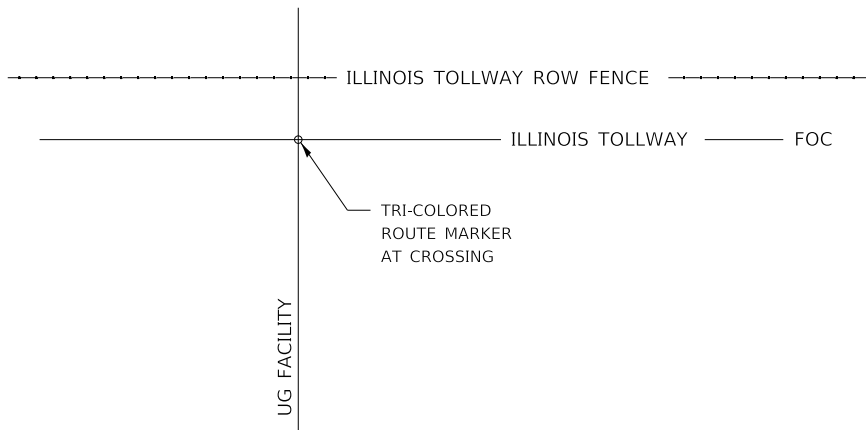
APPROVED BY: *Paul Kovacs*
 CHIEF ENGINEERING OFFICER
 DATE: 02/17/2019



FIBER OPTIC SYSTEM
TYPICALS AND DRAWINGS

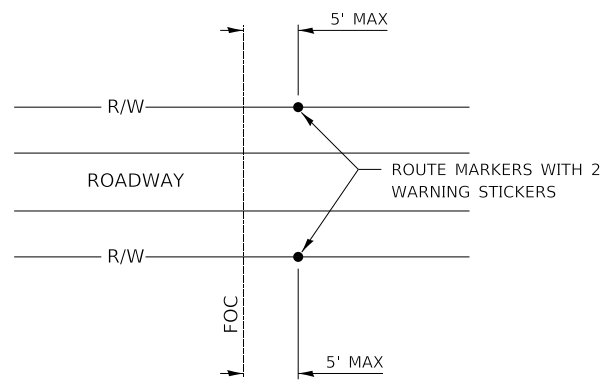
VERSION: 2022-03	STANDARD: L1-04	SHEET: 12 OF 15
---------------------	--------------------	--------------------

GAS, TELE, POWER, WATER,
PIPELINE, SEWER, CATV, ETC.

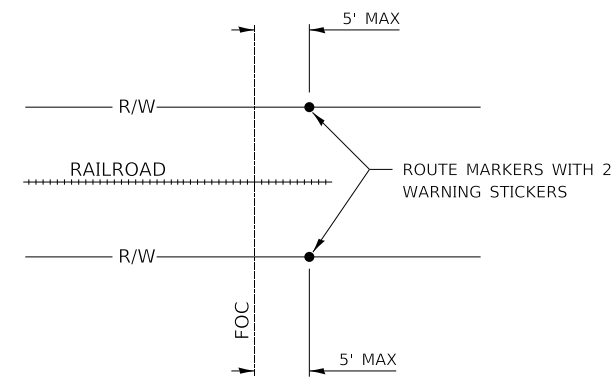


FACILITY CROSSING
FIG. 1

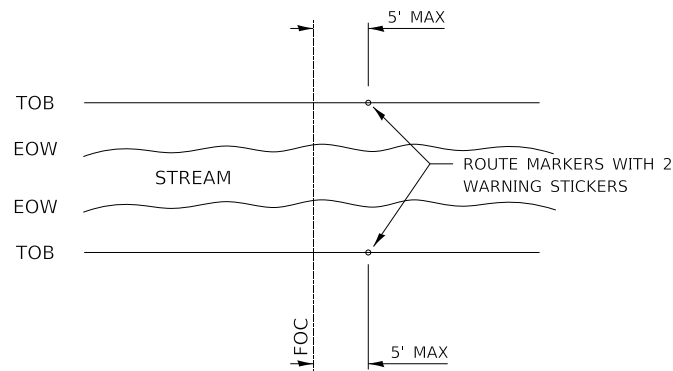
BURIED CABLE SIGNAGE



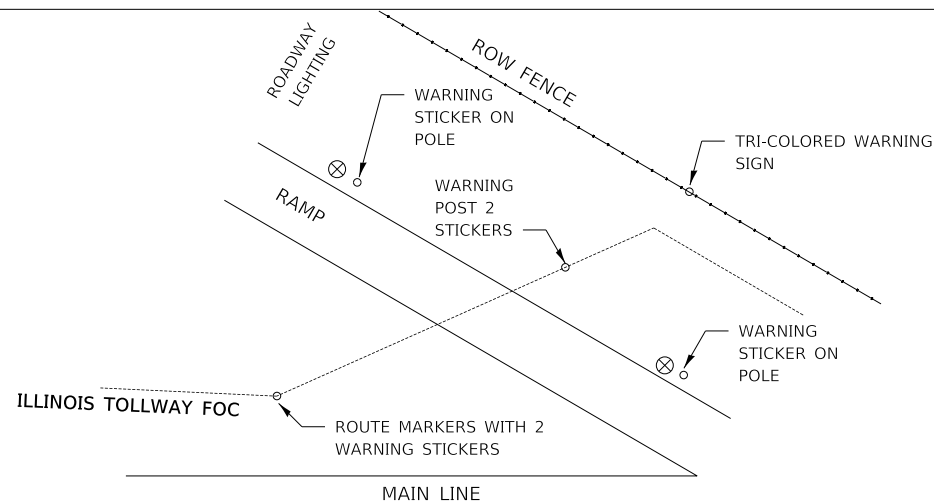
TYPICAL MARKER PLACEMENT AT ROAD AND BRIDGE CROSSING
FIG. 2



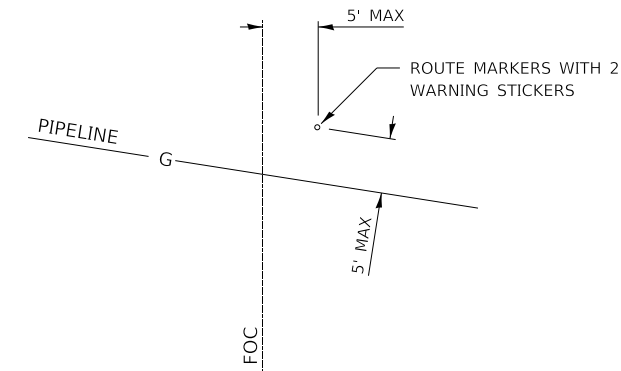
TYPICAL MARKER PLACEMENT AT RAILROAD CROSSING
FIG. 3



TYPICAL MARKER PLACEMENT AT RIVER,
CREEK & DRAINAGE DITCH CROSSING
FIG. 4



ON/OFF RAMP CROSSING
FIG. 5



TYPICAL MARKER PLACEMENT AT PIPELINE CROSSING
FIG. 6

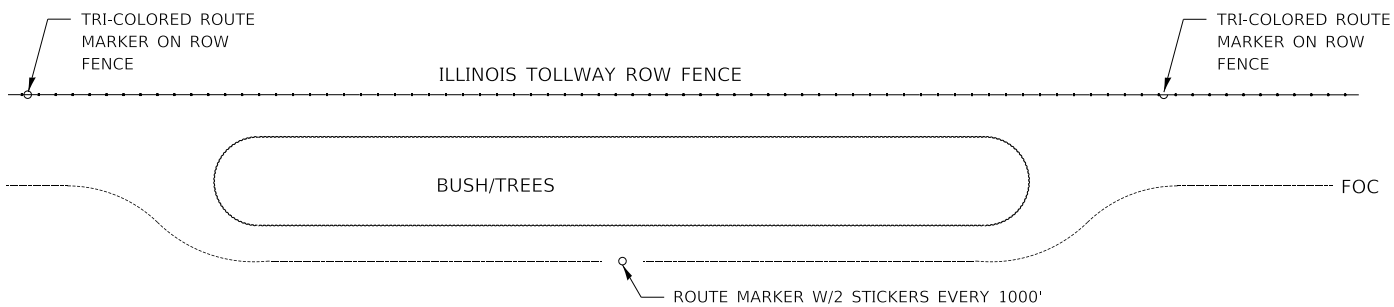
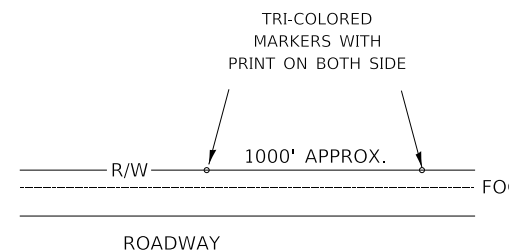


FIG. 7



TYPICAL MARKER PLACEMENT
TO BE PLACED NEXT TO R.O.W. FENCE LINE
FIG. 8

GENERAL NOTES:

1. MAINTAIN A MINIMUM DISTANCE OF 5' FROM ANY UTILITY POLE OR PEDESTAL SIGN, MARKER POLE, OR ANY OTHER STRUCTURE.
2. WARNING MARKERS SHALL BE PLACED AT 1000' INTERVALS AND AT CHANGES IN CABLE LOCATION/DIRECTION OR TO MARK THE LOCATION OF HANDHOLES OR AT CROSSING POINT OF OTHER UNDERGROUND FACILITIES. THE CONTRACTOR SHALL ADJUST EXCAVATION AS NECESSARY TO AVOID HIDDEN OBSTACLES AND TO MAINTAIN MAXIMUM DISTANCE FROM THE EDGE OF PAVEMENT. ALL DEVIATIONS SHALL BE APPROVED BY THE ENGINEER.

PLOT DRIVER: c:\bms\wsp-pib-us-pw-02\ia_brad_hoder\0161165\uf-ill-tollway-plcfdg
 PLOT DATE: 02/27/2019 11:18:17 AM
 PLOT TIME: 11:18:17 AM
 PLOT BY: bhodo
 PLOT NAME: BURIED CABLE SIGNAGE
 PLOT NAME: c:\bms\wsp-pib-us-pw-02\ia_brad_hoder\0161165\uf-ill-tollway-plcfdg

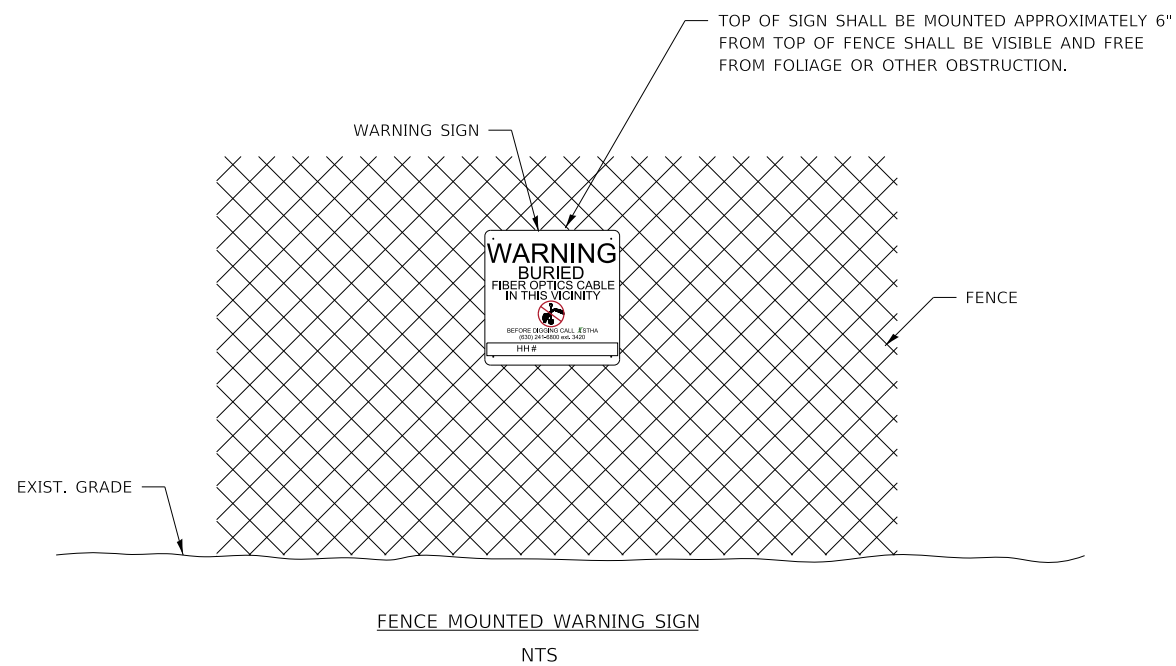
APPROVED BY: *Paul Kovacs*
 CHIEF ENGINEERING OFFICER
 DATE: 02/17/2019



FIBER OPTIC SYSTEM
TYPICALS AND DRAWINGS

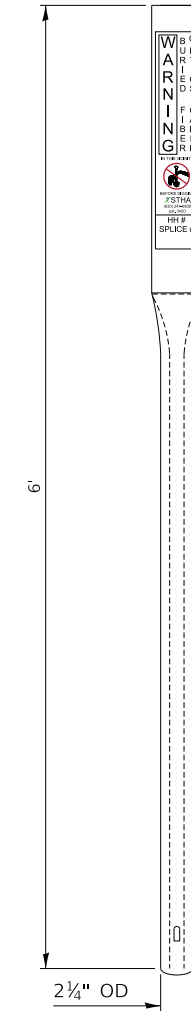
VERSION: 2022-03 STANDARD: L1-04 SHEET: 13 OF 15

ROUTE MARKER INSTALLATION PROCEDURE

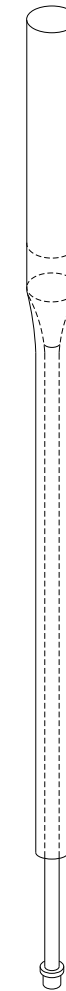


INSTALLATION OF WARNING POST:

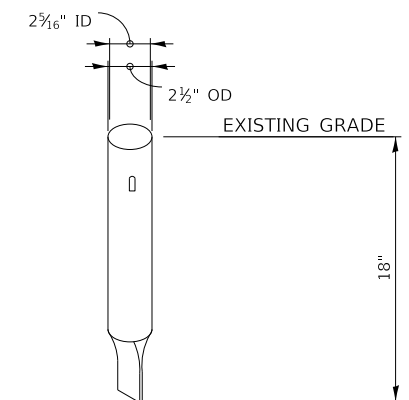
1. INSTALL WARNING POST ACCORDING TO MANUFACTURERS INSTRUCTIONS AND RECOMMENDATIONS.
2. PLACEMENT OF POST SHALL NOT INTERFERE WITH THE REMOVAL OF HANDHOLE LIDS
3. WARNING SIGN SHALL BE ATTACHED TO ROW FENCE WHEREVER POSSIBLE. UV STABILIZED BLACK NYLON CABLE TIES (14" LENGTH, .30" WIDTH, 120 LBS TENSILE STRENGTH), (4 EA.) 3 WRAPS EACH TIE, SHALL BE USED TO ATTACH WARNING SIGN TO FENCE.
4. SEE SHEET 14 OF THIS SERIES FOR FIBER WARNING LABEL AND WARNING SIGN DETAILS.



POST



DRIVER



SOIL ANCHOR

PLOT DRIVER: c:\bms\wrap-pib-us-pwr-02\as_brad_hoder\0161165\0161165.dwg
PLOT DATE: 2/17/2019 1:15:43 PM
PLOT TIME: 1:15:43 PM
PLOT BY: bhodo
PLOT BY: ROUTE MARKER INSTALLATION PROCEDURE
FILE NAME: c:\bms\wrap-pib-us-pwr-02\Documents\Illinois Tollway GEG (997688)\Standard Drawings and Base Sheets\Standard Drawings\Section - L1-04.dgn

APPROVED BY:

DATE:

Paul Kovacs
CHIEF ENGINEERING OFFICER

02/17/2019

PLOT SCALE: 0:2.000000''=1'-0'' PAGE SIZE: 17x11 (in)



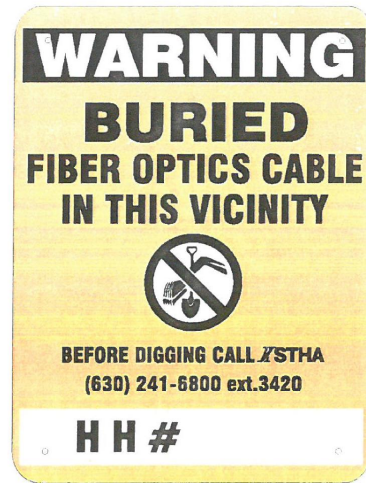
FIBER OPTIC SYSTEM TYPICALS AND DRAWINGS

VERSION:
2022-03

STANDARD:
L1-04

SHEET:
14 OF 15

FIBER WARNING LABEL & WARNING SIGN DETAILS



FENCE SIGN

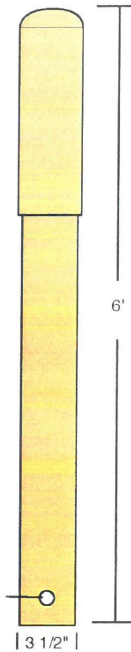
Part #: SA-ISTHA
 Size: 12" T X 9" W
 Material: Polyethylene
 Color: Black text with Orange bkgd, with white
 Holes: 4 - 3/16"



Products provided by:



Part #: PP6-ISTHA
 Size: 6'
 Material: Polydome
 Color: Orange Post and dome



ROUTE MARKER POST



Part #: PTP466000-ISTHA - 4" X 6,000', 6MIL Orange with black text

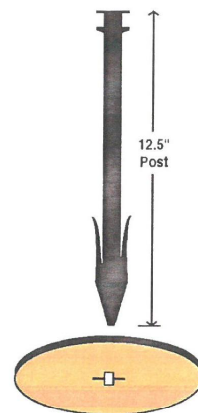
WARNING TAPE

ROUTE MARKER POST DECAL



FLUSH DISC MARKER

Part #: FMM-6-ISTHA
 Size: 6"
 Material: Clear .125 Lexan
 Color: Black text with Orange bkgd
 Holes: center for 12.5 plastic anchor



Part #: D-314-ISTHA
 Size: 14" x 3"
 Material: Decal
 Color: Orange with black text, Black "Warning" panel with white text, White no dig
 Scale: Shown @ 50%

NOTE:
 SIGN AND LABEL SHOWN IS AVAILABLE THROUGH ACP INTERNATIONAL. ALTERNATE SIGN LABELS SHALL BE SUBMITTED FOR APPROVAL BY THE ENGINEER.

PLOT DRIVER: C:\Users\pjb-us-pw-02\...
 PLOT DATE: 2/17/2019 1:15:44 PM
 PLOT TIME: 1:15:44 PM
 PLOT BY: bhodo
 PLOT NAME: I/STHA FIBER WARNING LABEL AND MARKING SIGN DETAILS

APPROVED BY: *Paul Kovacs*
 CHIEF ENGINEERING OFFICER
 DATE: 02/17/2019

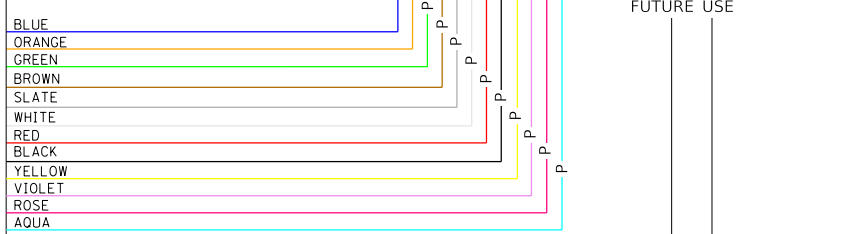
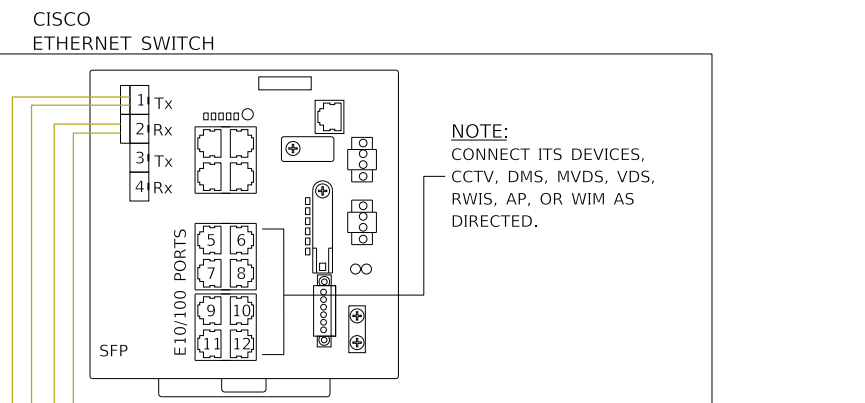
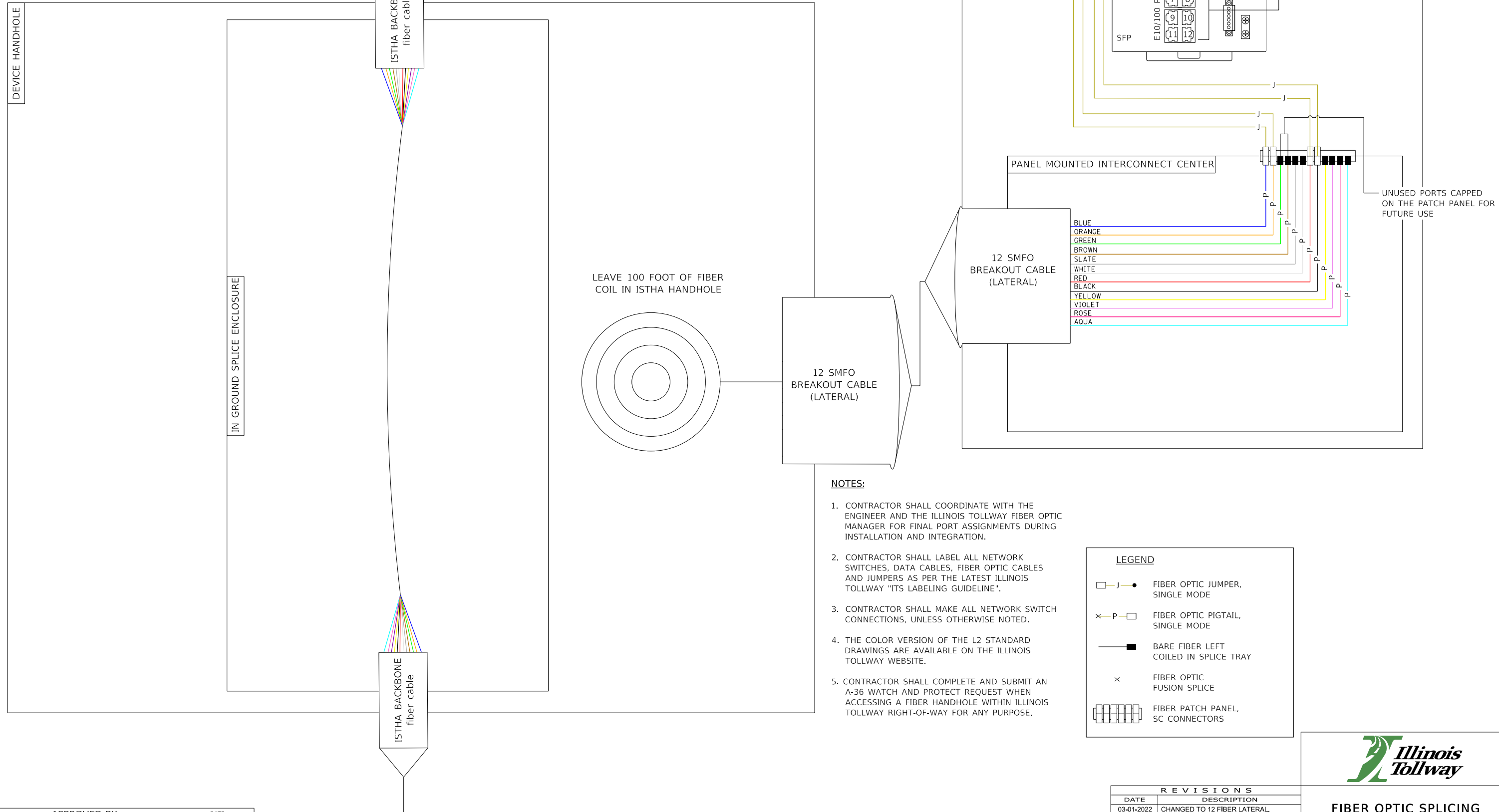
Illinois Tollway

FIBER OPTIC SYSTEM TYPICALS AND DRAWINGS

VERSION: 2022-03 STANDARD: L1-04 SHEET: 15 OF 15

SMFO ISTHA COMMUNICATIONS CABLE TO NEXT UP-STREAM NODE LOCATION

ITS CABINET FIBER CONNECTION DETAILS



LEAVE 100 FOOT OF FIBER COIL IN ISTHA HANDHOLE

- NOTES:**
1. CONTRACTOR SHALL COORDINATE WITH THE ENGINEER AND THE ILLINOIS TOLLWAY FIBER OPTIC MANAGER FOR FINAL PORT ASSIGNMENTS DURING INSTALLATION AND INTEGRATION.
 2. CONTRACTOR SHALL LABEL ALL NETWORK SWITCHES, DATA CABLES, FIBER OPTIC CABLES AND JUMPERS AS PER THE LATEST ILLINOIS TOLLWAY "ITS LABELING GUIDELINE".
 3. CONTRACTOR SHALL MAKE ALL NETWORK SWITCH CONNECTIONS, UNLESS OTHERWISE NOTED.
 4. THE COLOR VERSION OF THE L2 STANDARD DRAWINGS ARE AVAILABLE ON THE ILLINOIS TOLLWAY WEBSITE.
 5. CONTRACTOR SHALL COMPLETE AND SUBMIT AN A-36 WATCH AND PROTECT REQUEST WHEN ACCESSING A FIBER HANDHOLE WITHIN ILLINOIS TOLLWAY RIGHT-OF-WAY FOR ANY PURPOSE.

LEGEND

- FIBER OPTIC JUMPER, SINGLE MODE
- FIBER OPTIC PIGTAIL, SINGLE MODE
- BARE FIBER LEFT COILED IN SPLICE TRAY
- FIBER OPTIC FUSION SPLICE
- FIBER PATCH PANEL, SC CONNECTORS

REVISIONS	
DATE	DESCRIPTION
03-01-2022	CHANGED TO 12 FIBER LATERAL
03-01-2021	UPDATED ETHERNET SWITCH AND PANELS
03-01-2020	GENERALIZED BACKBONE DETAILS
	CHANGED TO 8 FIBER LATERAL

FIBER OPTIC SPlicing DETAILS

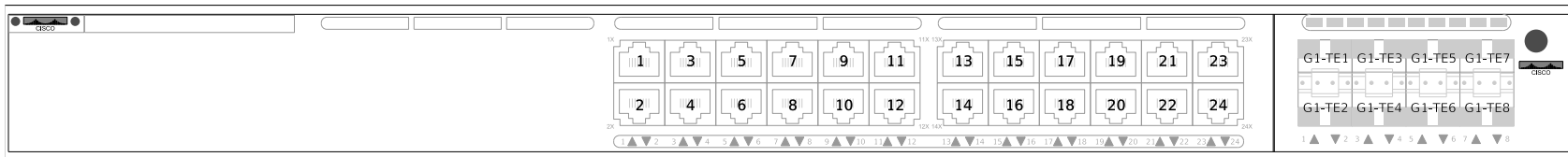
VERSION: 2022-03 STANDARD: L2-03 SHEET: 1 OF 2

PLOT DRIVER: c:\mswmp\pib-us-pw-02\ia_broad\hoder\01611650\pib-ill-tollway\pibcfe...
 PLOT DATE: 2/25/2022 PLOT TIME: 9:28:58 AM
 PLOTTED BY: bhodo
 FILE NAME: E:\Work\pib-us-pw-02\ia_broad\hoder\01611650\pib-ill-tollway\pibcfe...

APPROVED BY: *Paul Kovacs* DATE: 02/17/2019
 CHIEF ENGINEERING OFFICER

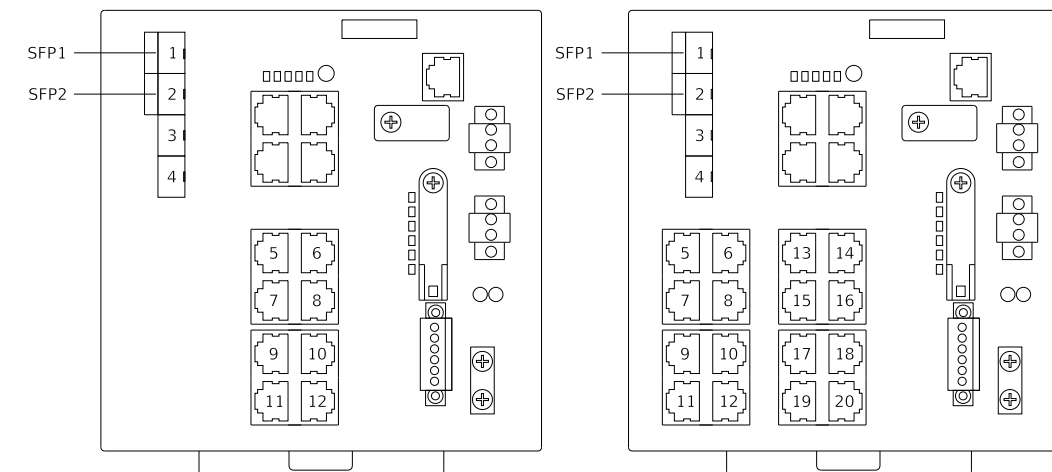
PROPOSED NETWORK SWITCH PORT ASSIGNMENT SCHEMATIC

CISCO ETHERNET SWITCH
10/100/1000 ETHERNET AND 10G SFP PORT ARRANGEMENT



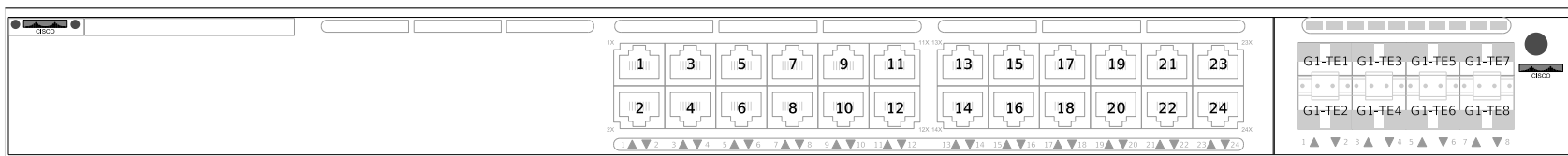
PORT NUMBER	PORT ASSIGNMENT	PORT NUMBER	PORT ASSIGNMENT	PORT NUMBER	PORT ASSIGNMENT	PORT NUMBER	PORT ASSIGNMENT
TENGIGABITETHERNET1/1/1	PRIMARY N/E LAYER 3 UPLINK	G11/0/1	TECH ACCESS	G11/0/9	RESERVED - IT DEVICE - TBD	G11/0/17	OPEN
TENGIGABITETHERNET1/1/2	SECONDARY N/E LAYER 2 UPLINK	G11/0/2	RESERVED - IT DEVICE - TBD	G11/0/10	RESERVED - IT DEVICE - TBD	G11/0/18	OPEN
TENGIGABITETHERNET1/1/3	N/E LAYER 2 - CAMERA AND VDS	G11/0/3	RESERVED - IT DEVICE - TBD	G11/0/11	OPEN	G11/0/19	OPEN
TENGIGABITETHERNET1/1/4	N/E LAYER 2 - ATM/DMS	G11/0/4	RESERVED - IT DEVICE - TBD	G11/0/12	OPEN	G11/0/20	OPEN
TENGIGABITETHERNET1/1/5	N/E LAYER 2 - VWIM	G11/0/5	RESERVED - IT DEVICE - TBD	G11/0/13	OPEN	G11/0/21	OPEN
TENGIGABITETHERNET1/1/6	FUTURE/TBD	G11/0/6	RESERVED - IT DEVICE - TBD	G11/0/14	OPEN	G11/0/22	OPEN
TENGIGABITETHERNET1/1/7	FUTURE/TBD	G11/0/7	RESERVED - IT DEVICE - TBD	G11/0/15	OPEN	G11/0/23	OPEN
TENGIGABITETHERNET1/1/8	SECONDARY N/E TO S/W LAYER 3 UPLINK	G11/0/8	RESERVED - IT DEVICE - TBD	G11/0/16	OPEN	G11/0/24	OPEN

CISCO ETHERNET SWITCH
10/100/1000 SFP PORT ARRANGEMENT



PORT NUMBER	12 PORT SWITCH (CCTV/VDS/DMS) PORT ASSIGNMENT	12 PORT SWITCH (VWIM) PORT ASSIGNMENT	20 PORT SWITCH (CCTV/VDS/DMS) (SEE NOTE 3) PORT ASSIGNMENT	20 PORT SWITCH (FULL ATM/GANTRY) PORT ASSIGNMENT
G11/1	UPLINK/DOWNLINK	UPLINK/DOWNLINK	UPLINK/DOWNLINK	UPLINK/DOWNLINK
G11/2	UPLINK/DOWNLINK	UPLINK/DOWNLINK	UPLINK/DOWNLINK	UPLINK/DOWNLINK
G11/3	RESERVED	RESERVED	RESERVED	RESERVED
G11/4	RESERVED	RESERVED	RESERVED	RESERVED
G11/5	TECH ACCESS	VWIM CONTROLLER	TECH ACCESS	TECH ACCESS
G11/6	CAMERA #1	VWIM VIRTUAL WEB SERVER	MODEM (IF INSTALLED)	WEST/SOUTH - ATM LCS CONTROLLER #1
G11/7	CAMERA #2	CAMERA #1	DMS	WEST/SOUTH - ATM LCS CONTROLLER #2
G11/8	SENSYS AP	CAMERA #2	VWIM	WEST/SOUTH - ATM LCS CONTROLLER #3
G11/9	DMS CONTROLLER	IP RELAY	RESERVED	WEST/SOUTH - ATM LCS CONTROLLER #4
G11/10	MVDS #1	UPS	RESERVED	WEST/SOUTH - ATM LCS CONTROLLER #5
G11/11	MVDS #2/UPS	TECH ACCESS	UPS	WEST/SOUTH - ATM LCS CONTROLLER #6
G11/12	IP RELAY	TECH ACCESS	IP RELAY	WEST/SOUTH - ATM LCS CONTROLLER SHOULDER
G11/13	N/A	N/A	CAMERA #1	IP RELAY
G11/14	N/A	N/A	CAMERA #2	EAST/NORTH - ATM LCS CONTROLLER #1
G11/15	N/A	N/A	RESERVED	EAST/NORTH - ATM LCS CONTROLLER #2
G11/16	N/A	N/A	RESERVED	EAST/NORTH - ATM LCS CONTROLLER #3
G11/17	N/A	N/A	MVDS #1	EAST/NORTH - ATM LCS CONTROLLER #4
G11/18	N/A	N/A	MVDS #2	EAST/NORTH - ATM LCS CONTROLLER #5
G11/19	N/A	N/A	MVDS #3	EAST/NORTH - ATM LCS CONTROLLER #6
G11/20	N/A	N/A	SENSYS AP	EAST/NORTH - ATM LCS CONTROLLER SHOULDER

CISCO EXPANSION SWITCH
10/100/1000 ETHERNET AND 10G SFP PORT ARRANGEMENT





PORT NUMBER	PORT ASSIGNMENT	PORT NUMBER	PORT ASSIGNMENT	PORT NUMBER	PORT ASSIGNMENT	PORT NUMBER	PORT ASSIGNMENT
TENGIGABITETHERNET1/1/1	PRIMARY S/W LAYER 3 UPLINK	G11/0/1	TECH ACCESS	G11/0/9	RESERVED - ITS DEVICE - TBD	G11/0/17	OPEN
TENGIGABITETHERNET1/1/2	SECONDARY S/W LAYER 2 UPLINK	G11/0/2	RESERVED - ITS DEVICE - TBD	G11/0/10	RESERVED - ITS DEVICE - TBD	G11/0/18	OPEN
TENGIGABITETHERNET1/1/3	S/W LAYER 2 - CAMERA AND VDS	G11/0/3	RESERVED - ITS DEVICE - TBD	G11/0/11	OPEN	G11/0/19	OPEN
TENGIGABITETHERNET1/1/4	S/W LAYER 2 - ATM/DMS	G11/0/4	RESERVED - ITS DEVICE - TBD	G11/0/12	OPEN	G11/0/20	OPEN
TENGIGABITETHERNET1/1/5	S/W LAYER 2 - VWIM	G11/0/5	RESERVED - ITS DEVICE - TBD	G11/0/13	OPEN	G11/0/21	OPEN
TENGIGABITETHERNET1/1/6	FUTURE/TBD	G11/0/6	RESERVED - ITS DEVICE - TBD	G11/0/14	OPEN	G11/0/22	OPEN
TENGIGABITETHERNET1/1/7	FUTURE/TBD	G11/0/7	RESERVED - ITS DEVICE - TBD	G11/0/15	OPEN	G11/0/23	OPEN
TENGIGABITETHERNET1/1/8	SECONDARY S/W TO N/E LAYER 3 UPLINK	G11/0/8	RESERVED - ITS DEVICE - TBD	G11/0/16	OPEN	G11/0/24	OPEN

NOTES:

- SEE SHEET 1 OF 3 FOR NOTES.
- ALL NETWORK SWITCH FIBER CONNECTIONS SHOWN ON THIS SHEET SHALL BE PERFORMED BY THE TOLLWAY FIBER MAINTENANCE TEAM, IN COORDINATION WITH THE ENGINEER.
- PORT ASSIGNMENT INCLUDED FOR REFERENCE FOR EXISTING ITS SITES WITH 20 PORT SWITCH.
- THE CONTRACTOR SHALL MAKE LOCAL/COPPER CAT-6 CONNECTIONS PER THE PORT ASSIGNMENTS SHOWN ON THIS SHEET, OR AS DIRECTED BY THE ENGINEER. THE ENGINEER SHALL VERIFY CORRECT PORT CONNECTIONS HAVE BEEN MADE DURING SITE TESTING.

PLOT DRIVER: c:\bms\wsp-pub-us-paw-02\ia_broad_hoder\01611650\paw-02\tollway-fiber...
 PLOT DATE: 2/27/2022 9:28:32 AM
 PLOT TIME: 9:28:32 AM
 PLOT BY: bhodo
 PLOT NAME: PROPOSED NETWORK SWITCH PORT ASSIGNMENT CHINA.MTC
 FILE NAME: c:\bms\wsp-pub-us-paw-02\ia_broad_hoder\01611650\paw-02\tollway-fiber...

APPROVED BY:  DATE: 02/17/2019
 CHIEF ENGINEERING OFFICER



FIBER OPTIC SPLICING DETAILS

VERSION: 2022-03	STANDARD: L2-03	SHEET: 2 OF 2
------------------	-----------------	---------------